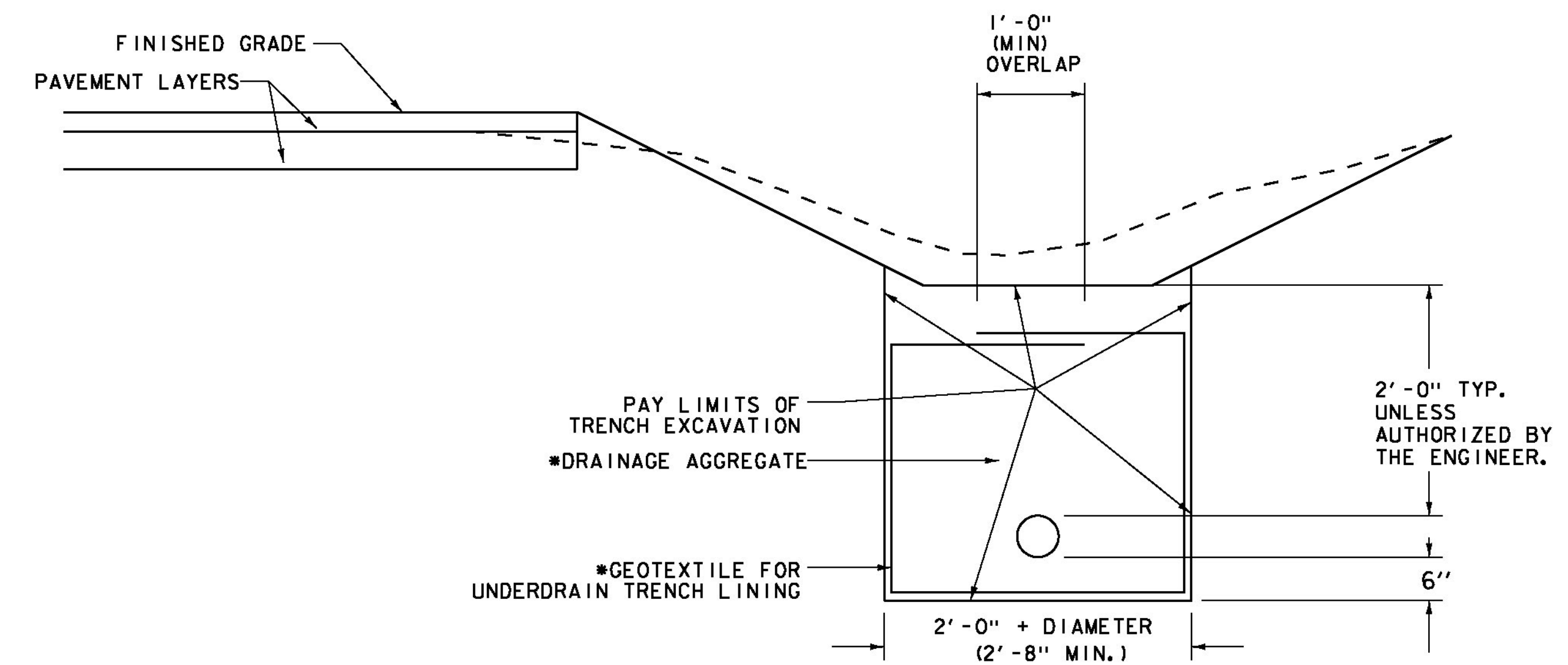


LOCATION					MISC. ITEMS					REMARKS
SITE	STATION	STATION	POS.	605.10 6 INCH UNDERDRAIN PIPE LF	* DRAINAGE AGGREGATE CY	* GEOTEXTILE FOR TRENCH SY	204.20 TRENCH EXCAVATION CY	619.17 YIELDING MARKER POSTS EA	* ITEMS TO BE PAID UNDER ITEM 605.10 "6 INCH UNDERDRAIN PIPE"	
1	2+65	4+85	LT	220.0	65.2	301.5	43.5	2		
2	5+00	6+85	LT	185.0	54.8	253.5	36.5	1		
3	6+95	8+90	LT	195.0	57.8	267.2	38.5	1		
4	9+10	11+38	LT	228.0	67.6	312.4	45.0	1	OUTLET INTO CB	
5	11+50	13+13	LT	163.0	48.3	223.4	32.2	1	OUTLET INTO CB	
6	13+13	15+45	LT	232.0	68.7	317.9	45.8	1	OUTLET INTO CB	
SUBTOTAL				1223.0	362.4	1675.9	241.5	7		
ROUNDING				27.0	-	-	-	-		
TOTAL				1250.0	362.4	1675.9	**	**	** SEE QUANTITY SHEETS FOR TOTAL QUANTITIES.	



DRAINAGE AGGREGATE SHALL MEET THE REQUIREMENTS OF SUBSECTION 704.16.  
 \* ITEMS ARE INCLUDED IN THE UNIT PRICE BID FOR PAY ITEM 605.10 "6 INCH UNDERDRAIN PIPE"

UNDERDRAIN DETAIL

NOTES:

1. GEOTEXTILE FOR UNDERDRAIN TRENCH LINING SHALL NOT BE PLACED AROUND UNDERDRAIN WHEN COVER ABOVE UNDERDRAIN IS LESS THAN 1 FOOT.
2. THE END OF THE UNDERDRAIN PIPE AT THE BEGINNING OF ALL UNDERDRAIN RUNS SHALL BE WRAPPED IN GEOTEXTILE FABRIC. PAYMENT FOR THIS WORK IS INCLUDED IN THE UNIT PRICE BID FOR ITEM 605.10 "6 INCH UNDERDRAIN PIPE".

PROJECT NAME: MORETOWN  
 PROJECT NUMBER: ER STP 0167 (15)

FILE NAME: z12c524detail.dgn PLOT DATE: 2/17/2015  
 PROJECT LEADER: J. TUCKER DRAWN BY: B. MACK  
 DESIGNED BY: B. BRESLEND CHECKED BY: A. SANZ  
 UNDERDRAIN DETAIL SHEET SHEET 10 OF 57