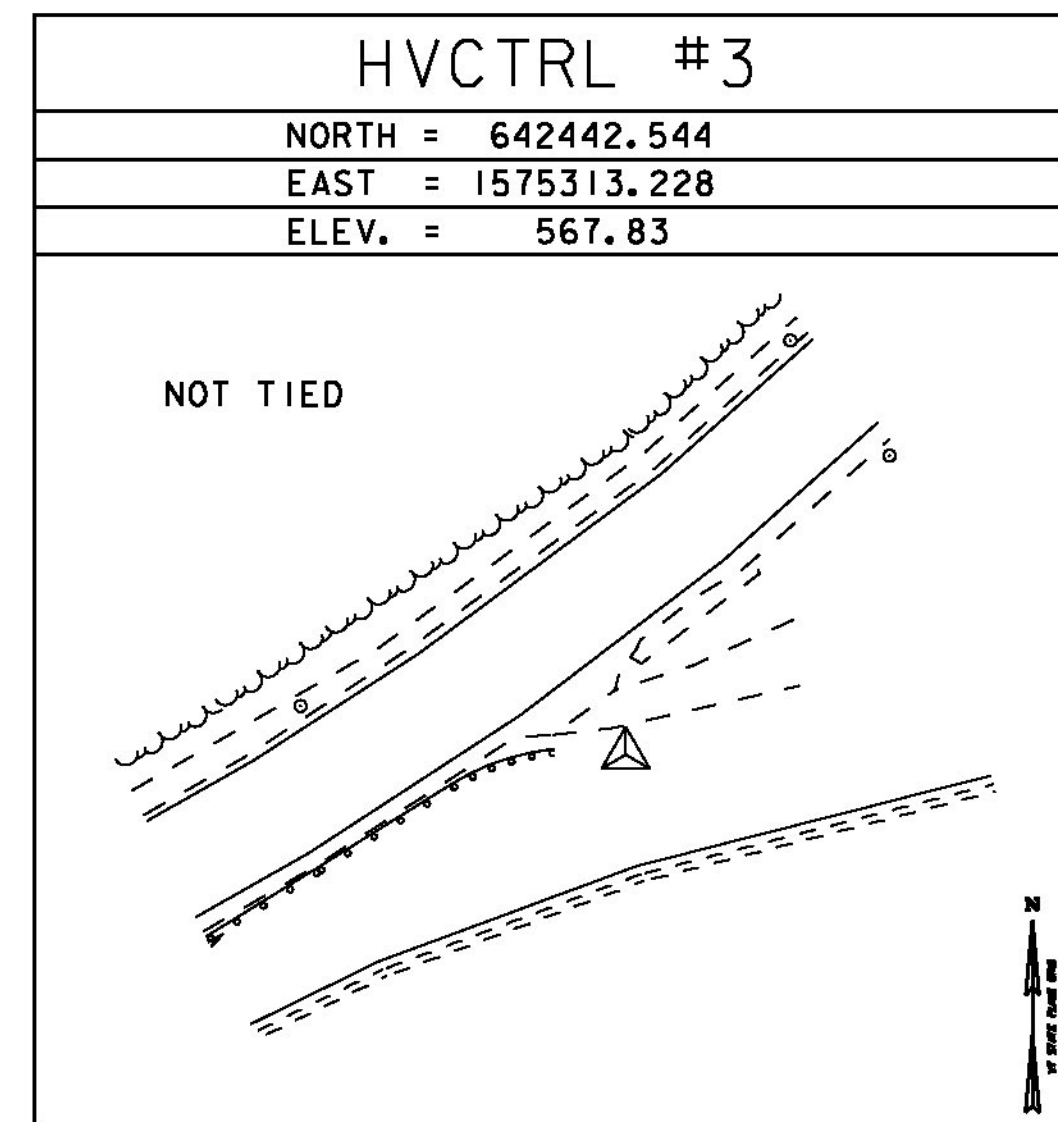
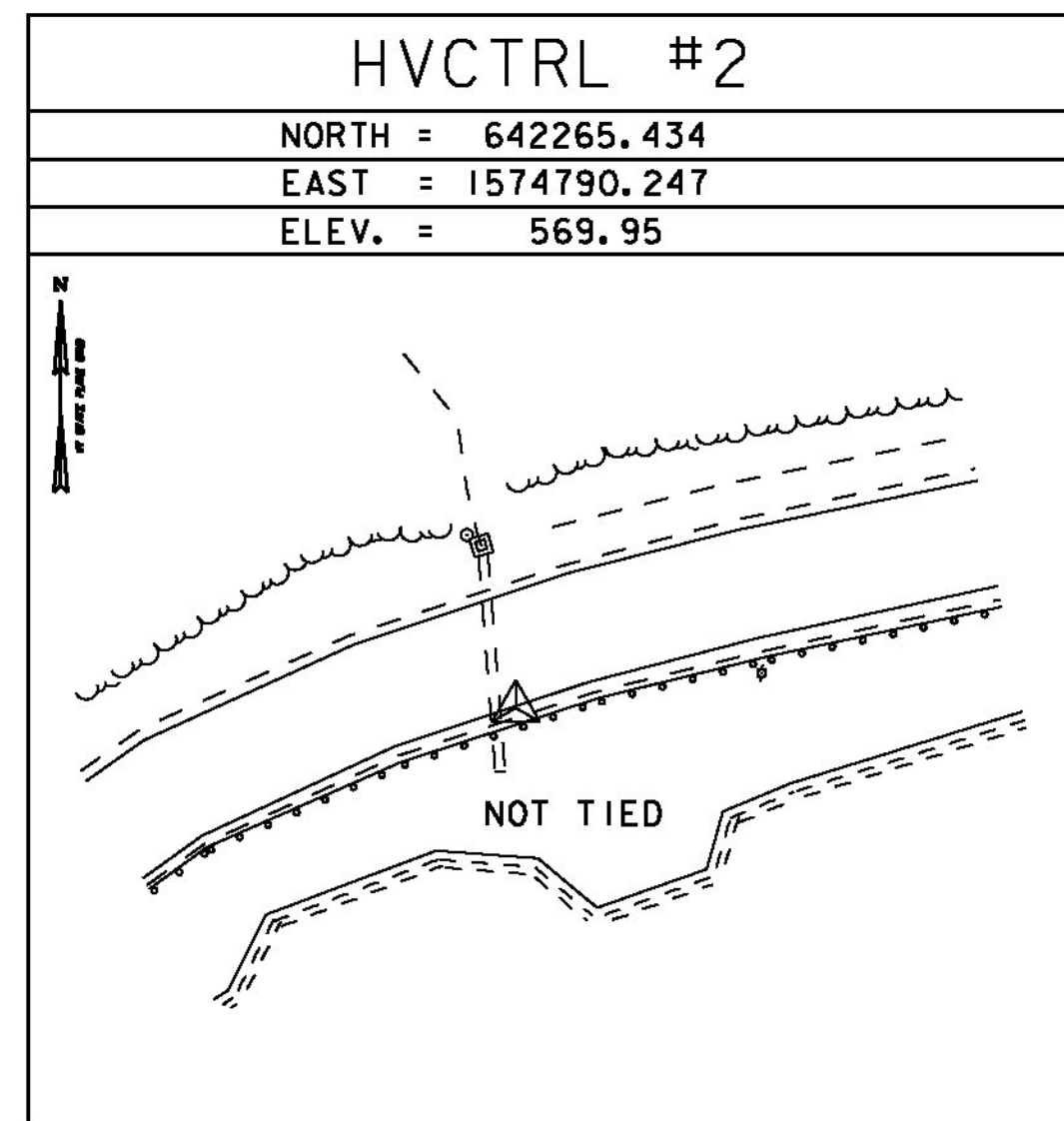
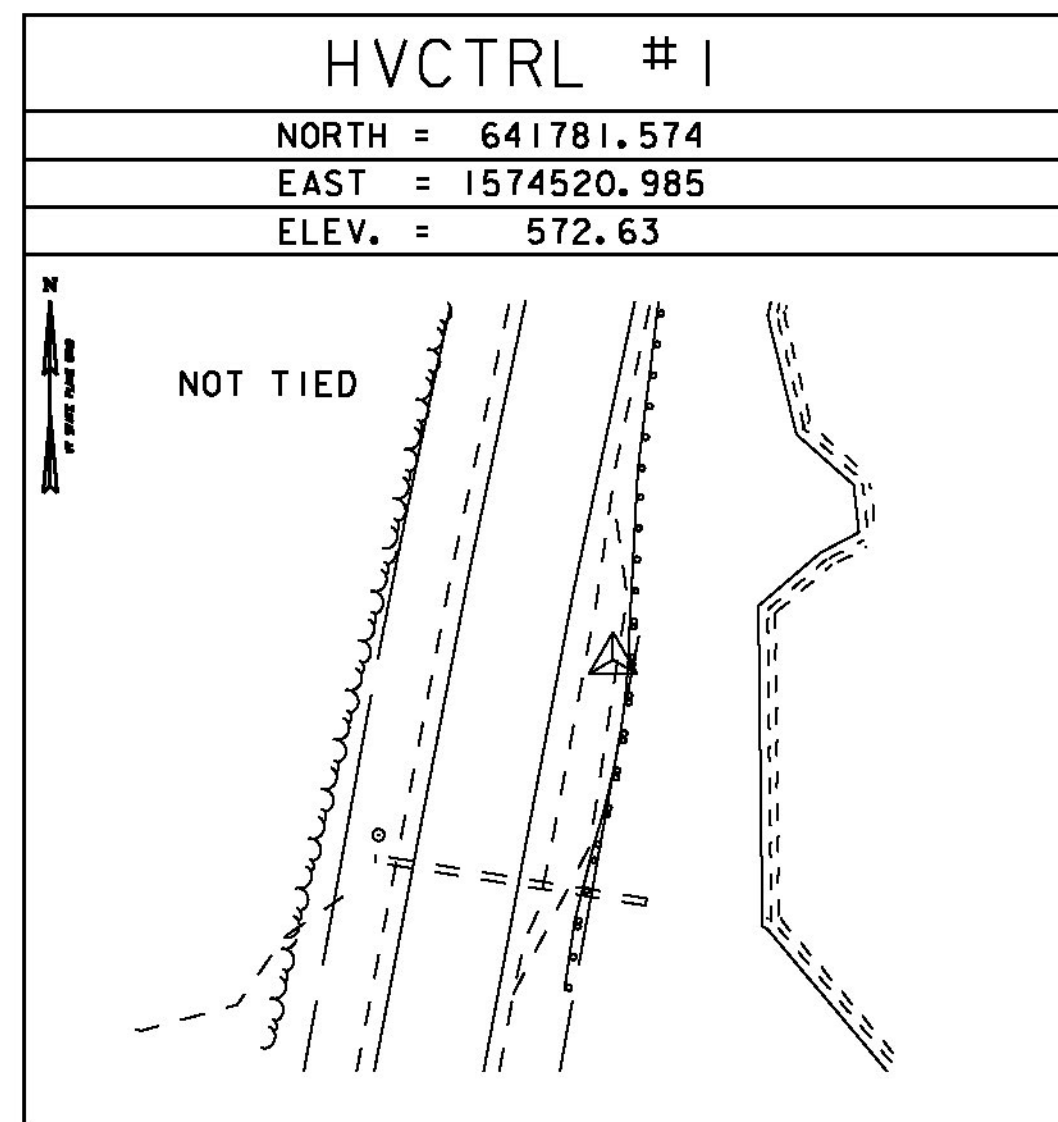


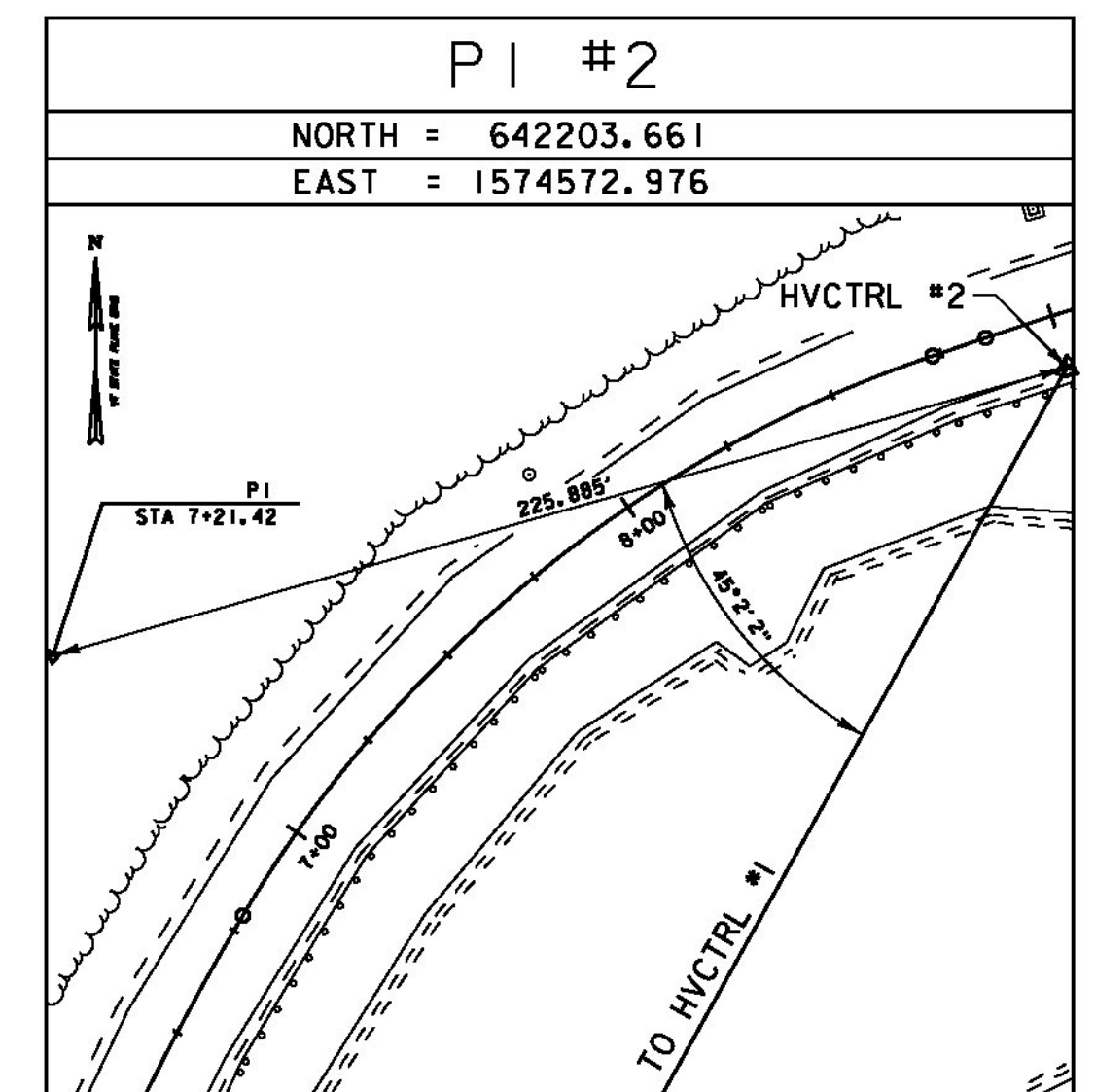
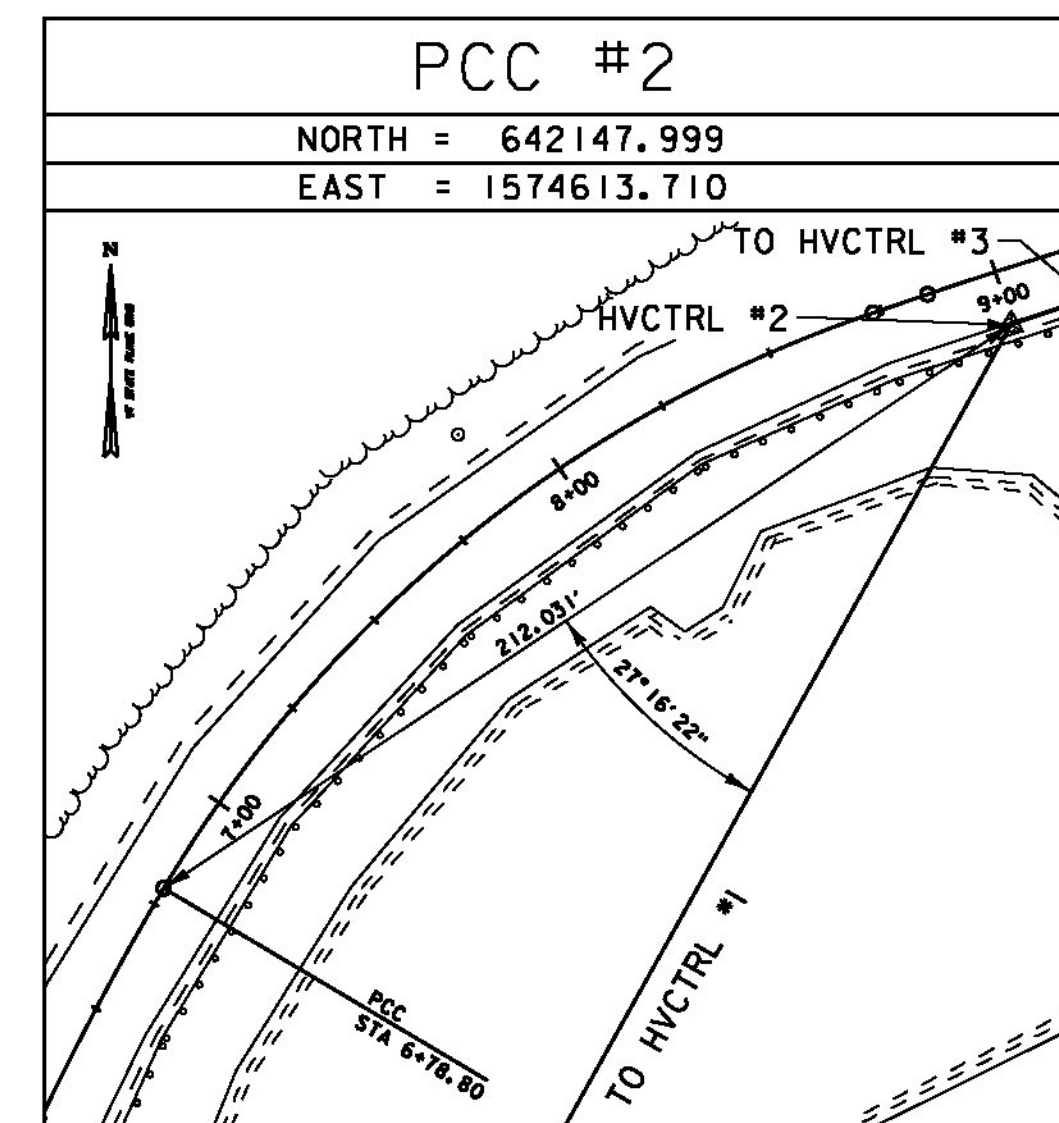
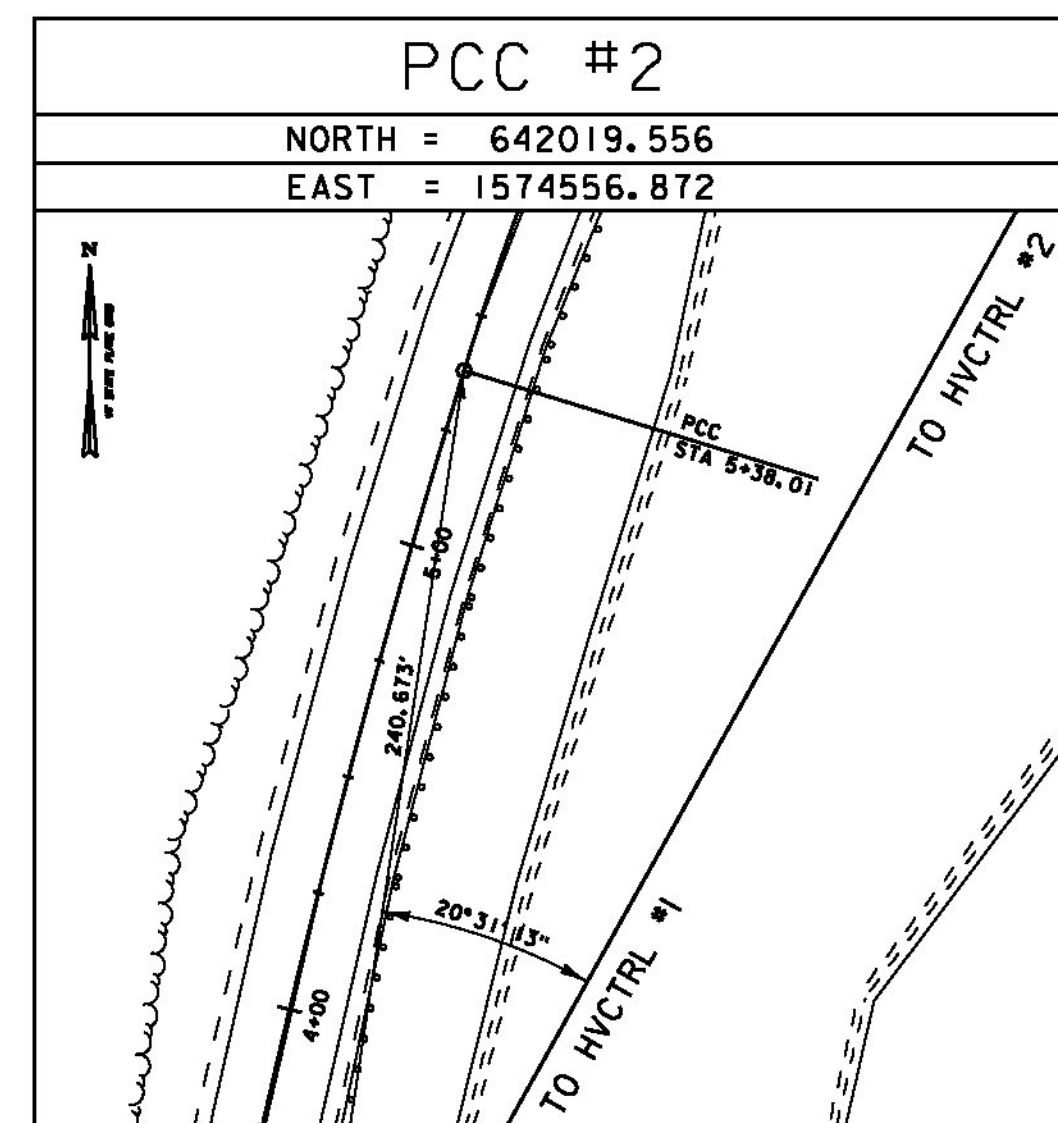
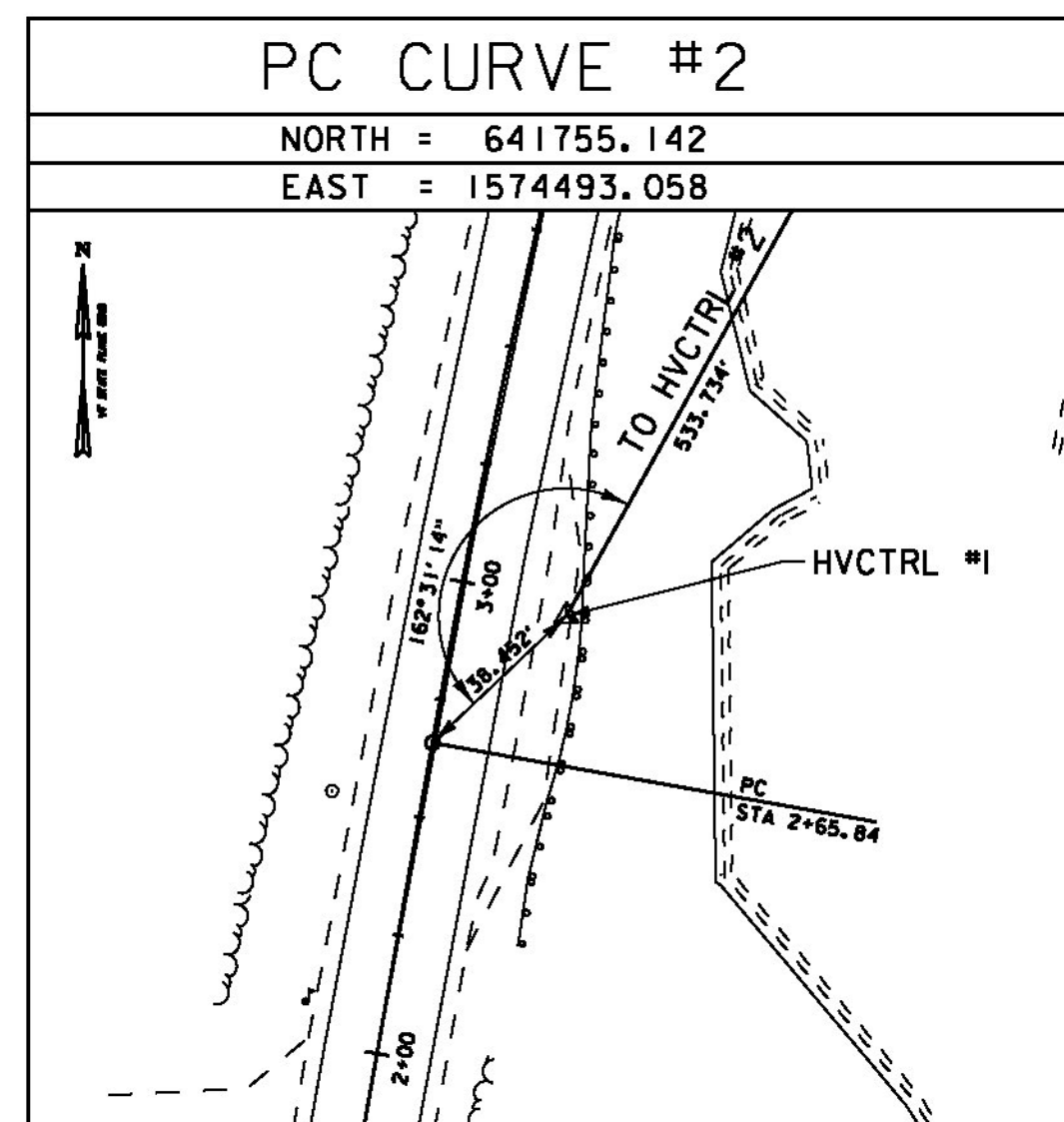
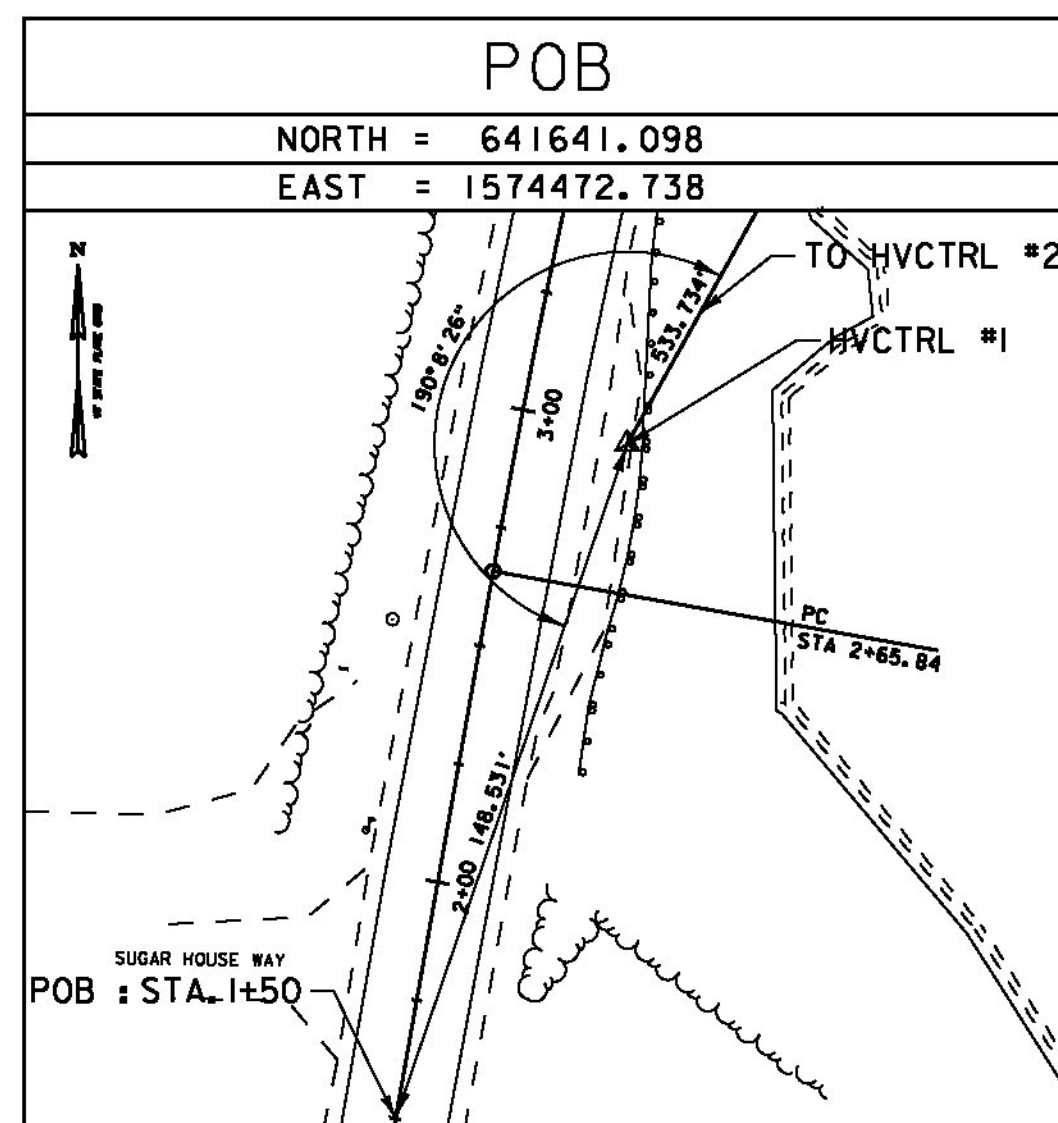
GPS CONTROL POINTS

NONE

TRAVERSE TIES



ALIGNMENT TIES



DATUM	
VERTICAL	NAVD 88
HORIZONTAL	NAD 83 (11)
ADJUSTMENT	COMPASS

NOT TO SCALE

PROJECT NAME: MORETOWN	
PROJECT NUMBER: ER STP 0167 (15)	
FILE NAME: z12c524+i.dgn	PLOT DATE: 2/17/2015
PROJECT LEADER: J. TUCKER	DRAWN BY: B. MACK
DESIGNED BY: B. BRESLEND	CHECKED BY: A. SANZ
TIE SHEET 1	SHEET 7 OF 57