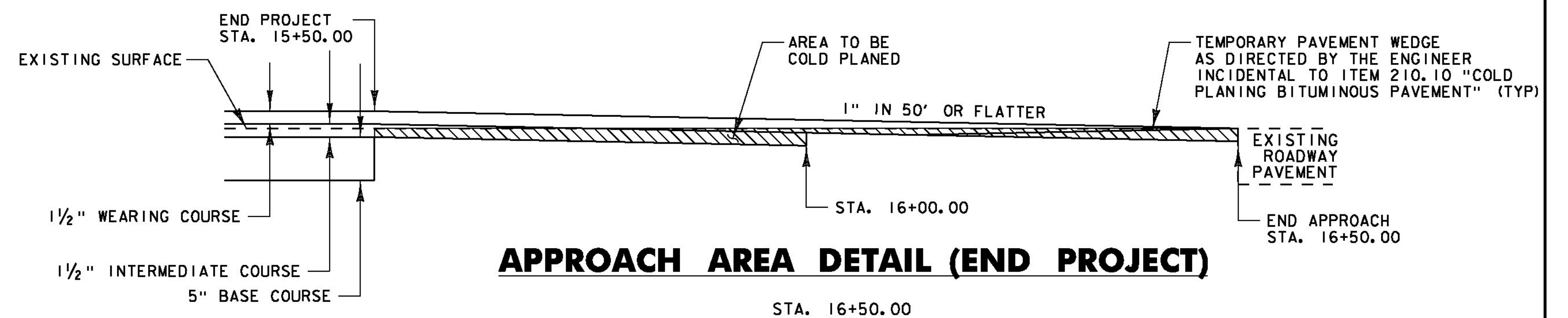
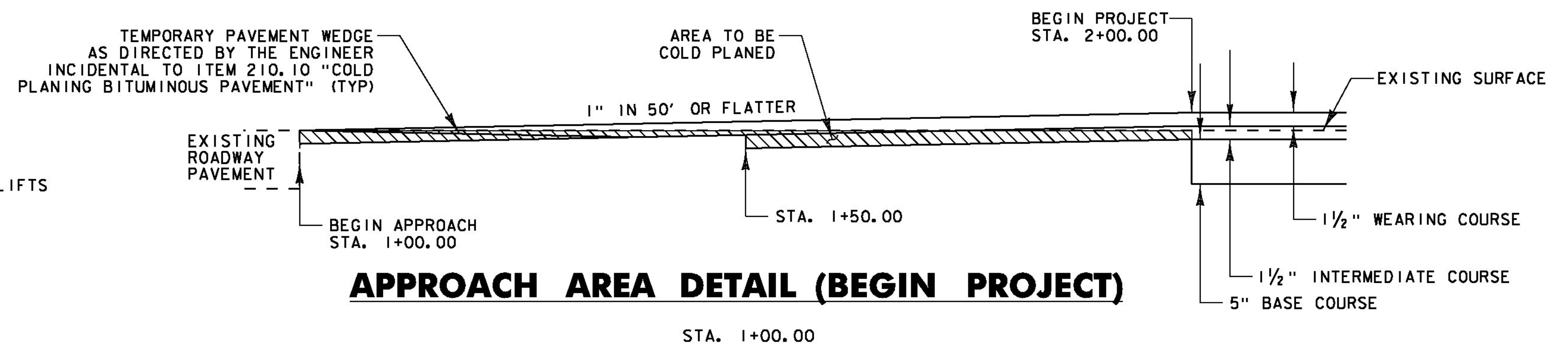
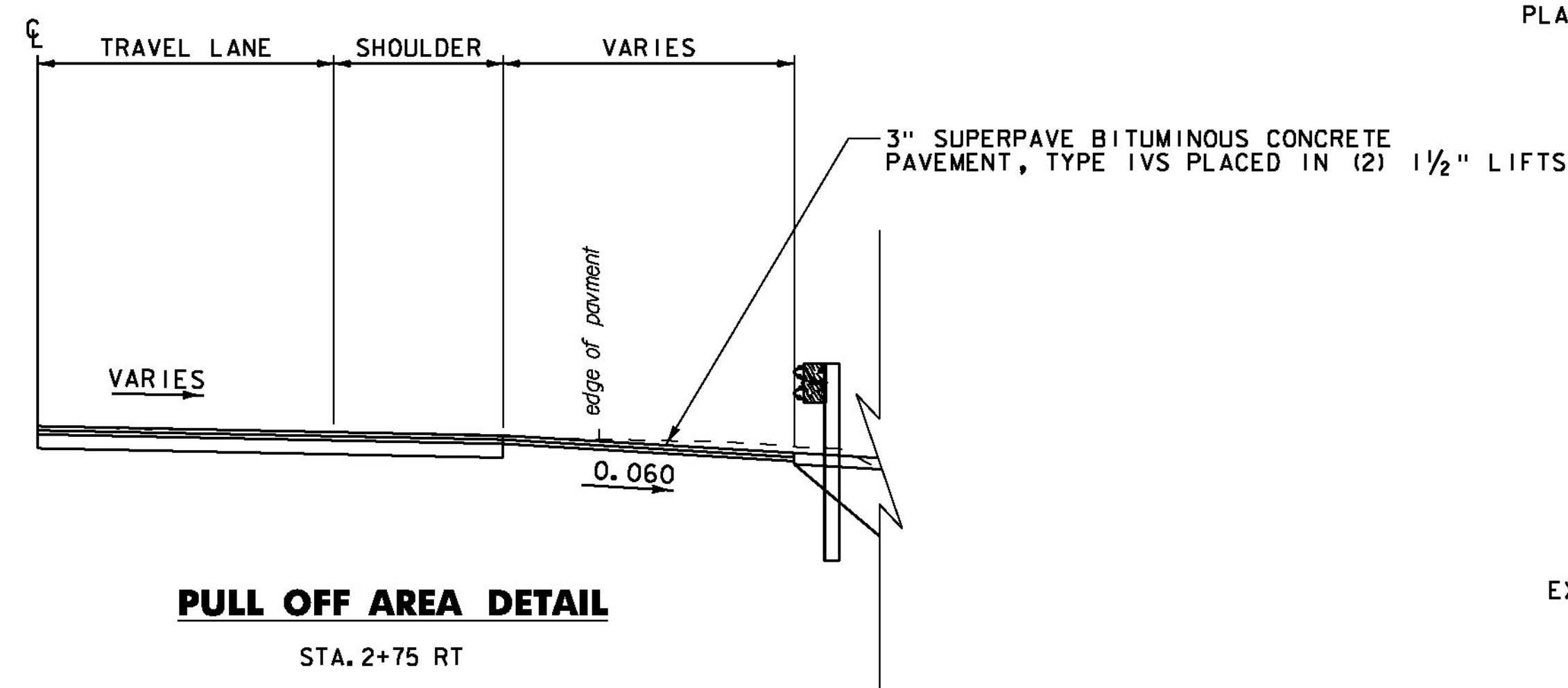


NOTE: ANY EXCAVATION REQUIRED IN THE PULLOFF AREAS PRIOR TO PAVING SHALL BE PAID FOR UNDER THE APPROPRIATE RENTAL ITEMS.



TOLERANCES :

PAVEMENT : +/- 1/4" TOTAL PAVEMENT THICKNESS
SUBBASE : +/- 1" TOTAL CRUSHED STONE THICKNESS

PROJECT NAME: MORETOWN
PROJECT NUMBER: ER STP 0167 (15)

FILE NAME: z12c524 typ. dgn
PROJECT LEADER: J. TUCKER
DESIGNED BY: B. BRESLEND
TYPICAL SECTION SHEET 2

PLOT DATE: 2/17/2015
DRAWN BY: B. MACK
CHECKED BY: A. SANZ
SHEET 5 OF 57