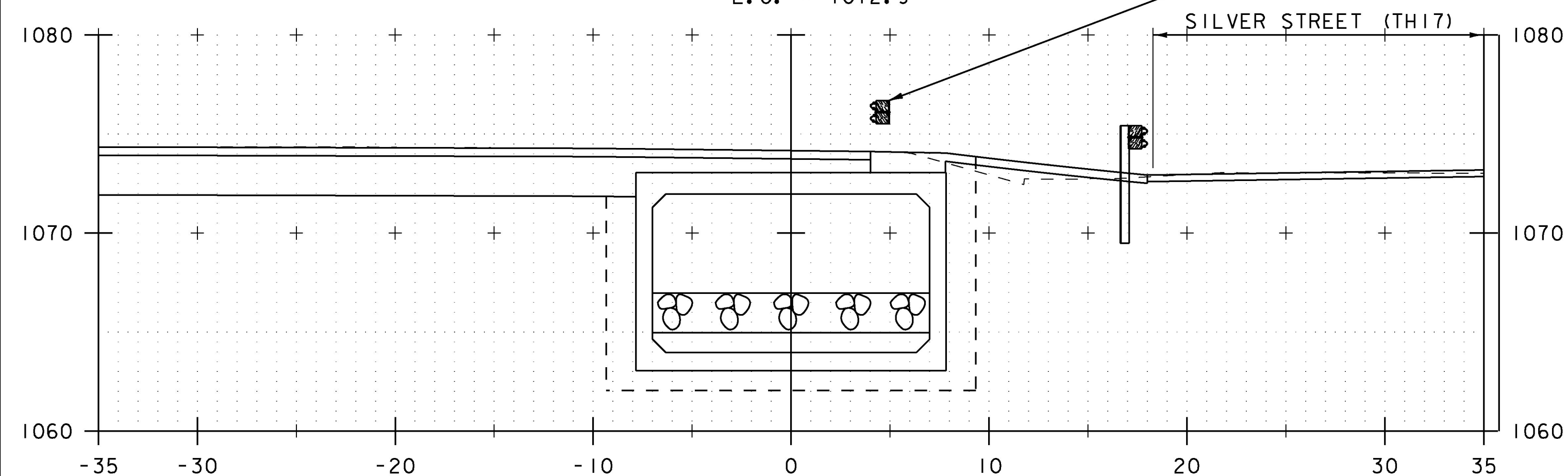


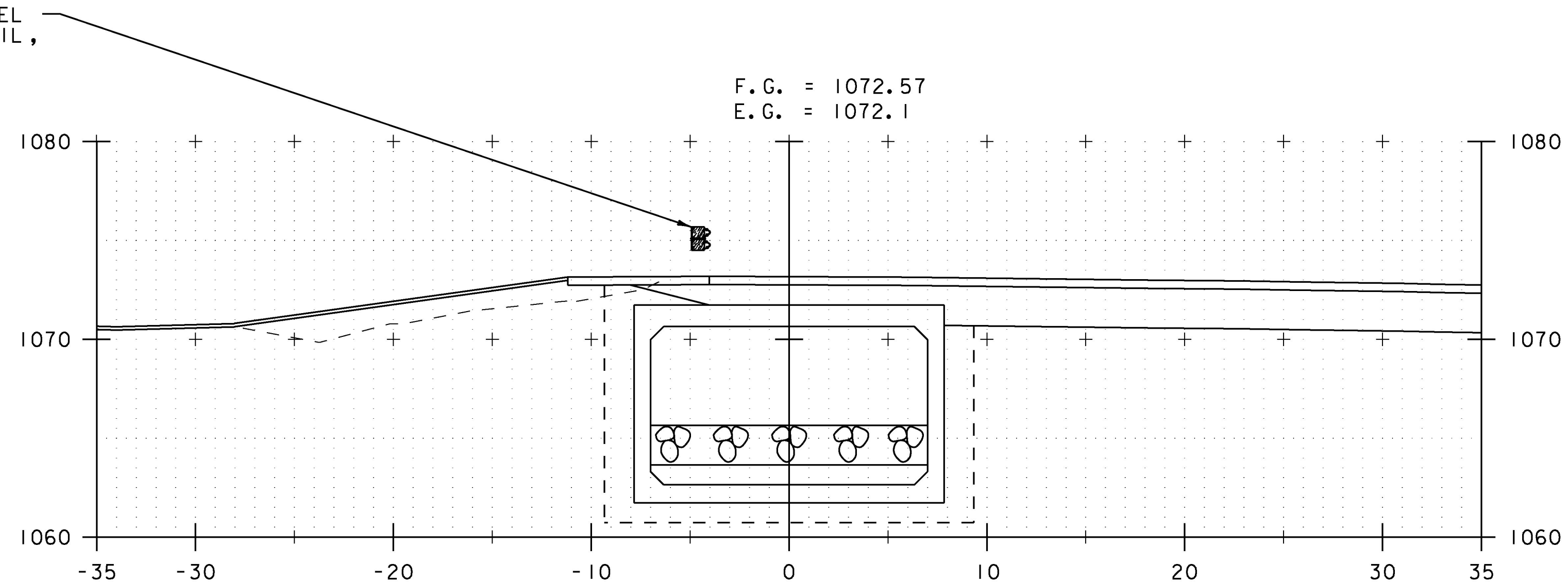
1+70

F.G. = 1073.57
E.C. = 1072.9

LONGSPAN STEEL
BEAM GUARDRAIL,
GALVANIZED

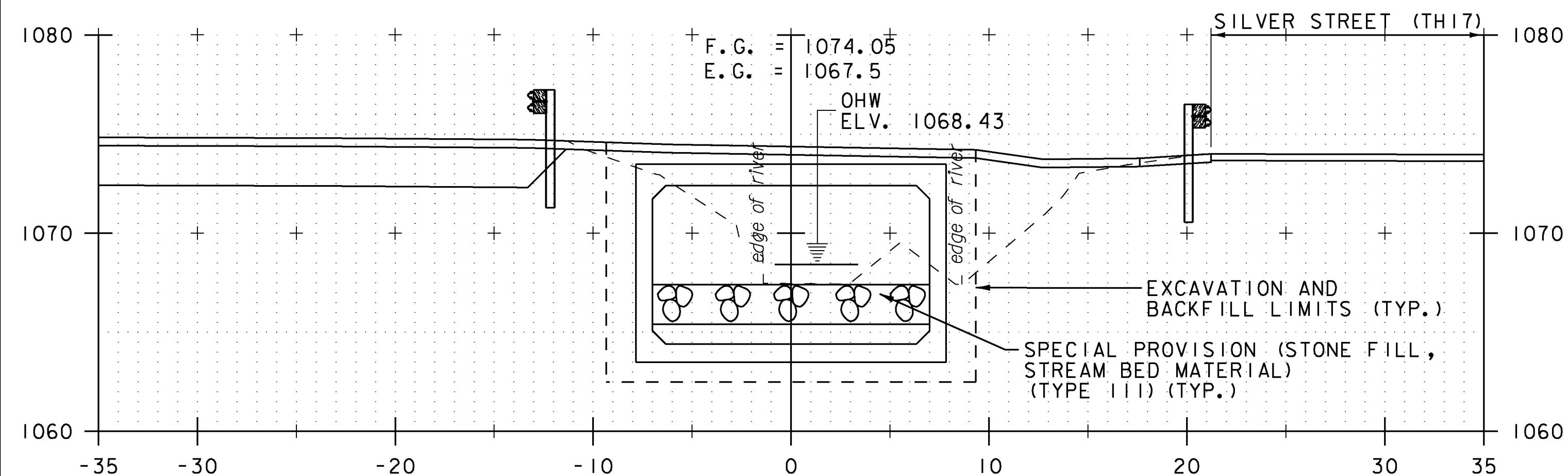


1+60

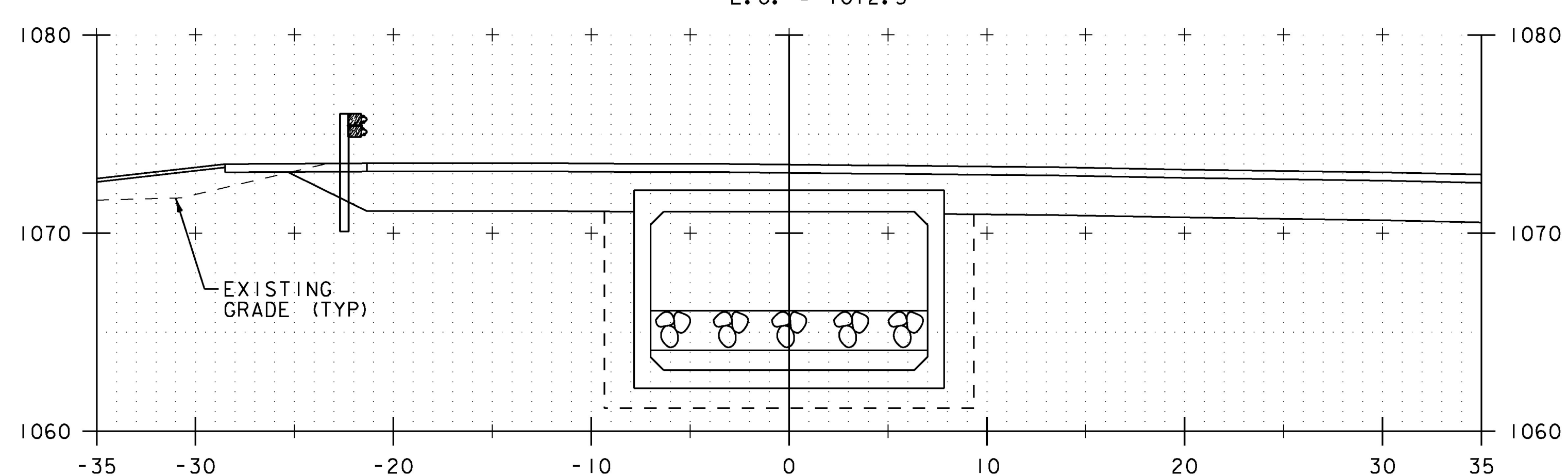


1+90

F.G. = 1072.87
E.G. = 1072.5

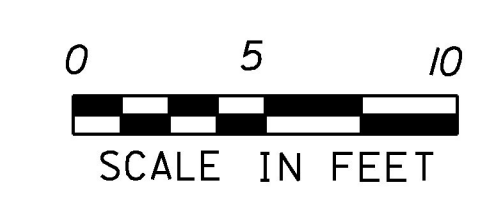


1+50



1+80

STA. 1+50 TO STA. 1+90



PROJECT NAME: HANCOCK	
PROJECT NUMBER: ER STP 0174 (18)	
FILE NAME: z12c412xs1.dgn	PLOT DATE: 10/11/2016
PROJECT LEADER: J. TUCKER	DRAWN BY: O. DALMER
DESIGNED BY: B. BRESLEND	CHECKED BY: P. BERO
CHANNEL CROSS SECTIONS SHEET 2	SHEET 38 OF 42