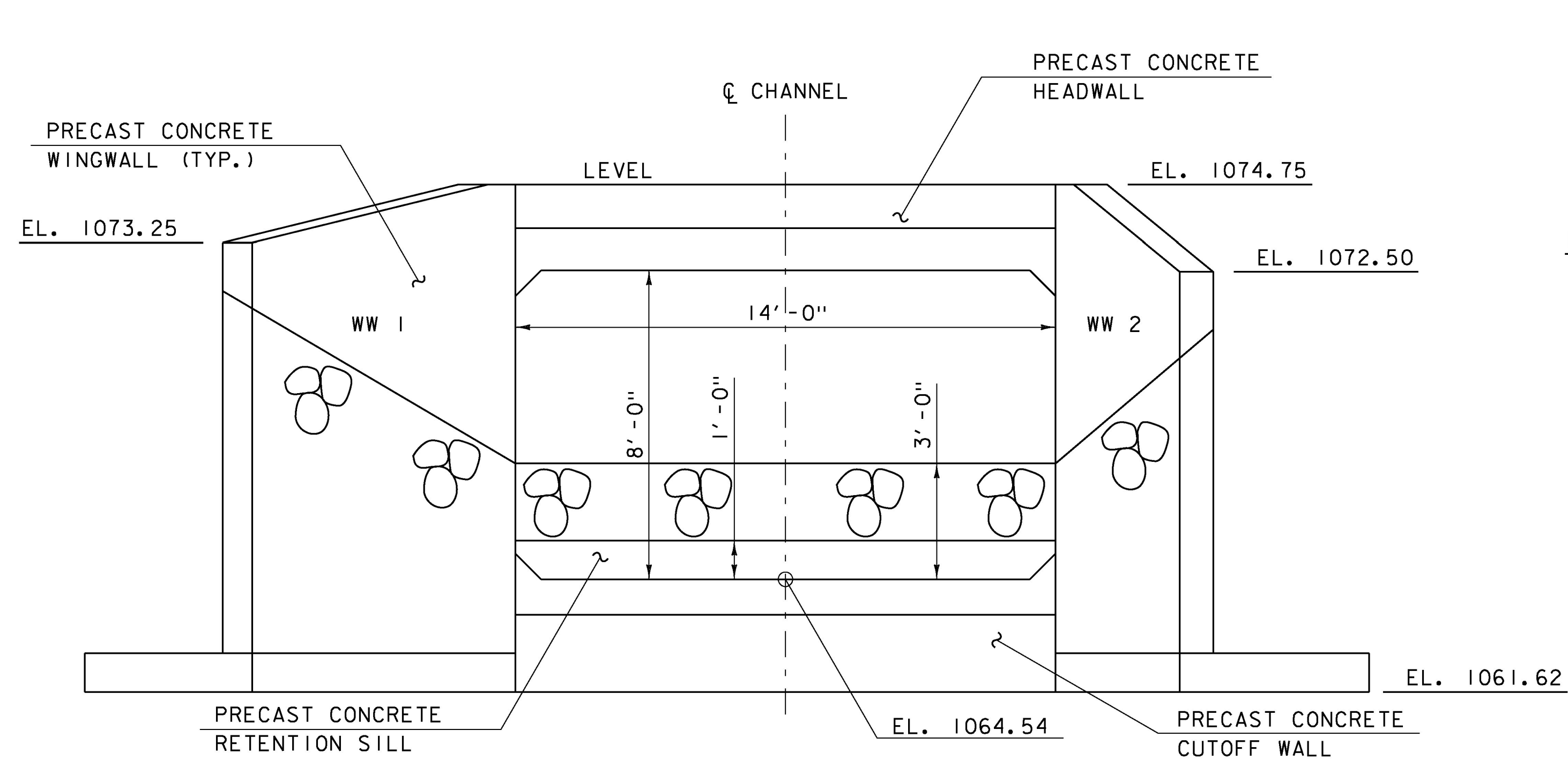


WORKING POINT COORDINATES

WP #	STATION	OFFSET	NORTHING	EASTING
1	257+60.00	24.25' RT	520619.6163	1538742.2175
2	257+74.00	0.00'	520644.8053	1538754.4451
3	257+88.00	24.25' LT	520669.9943	1538766.6726

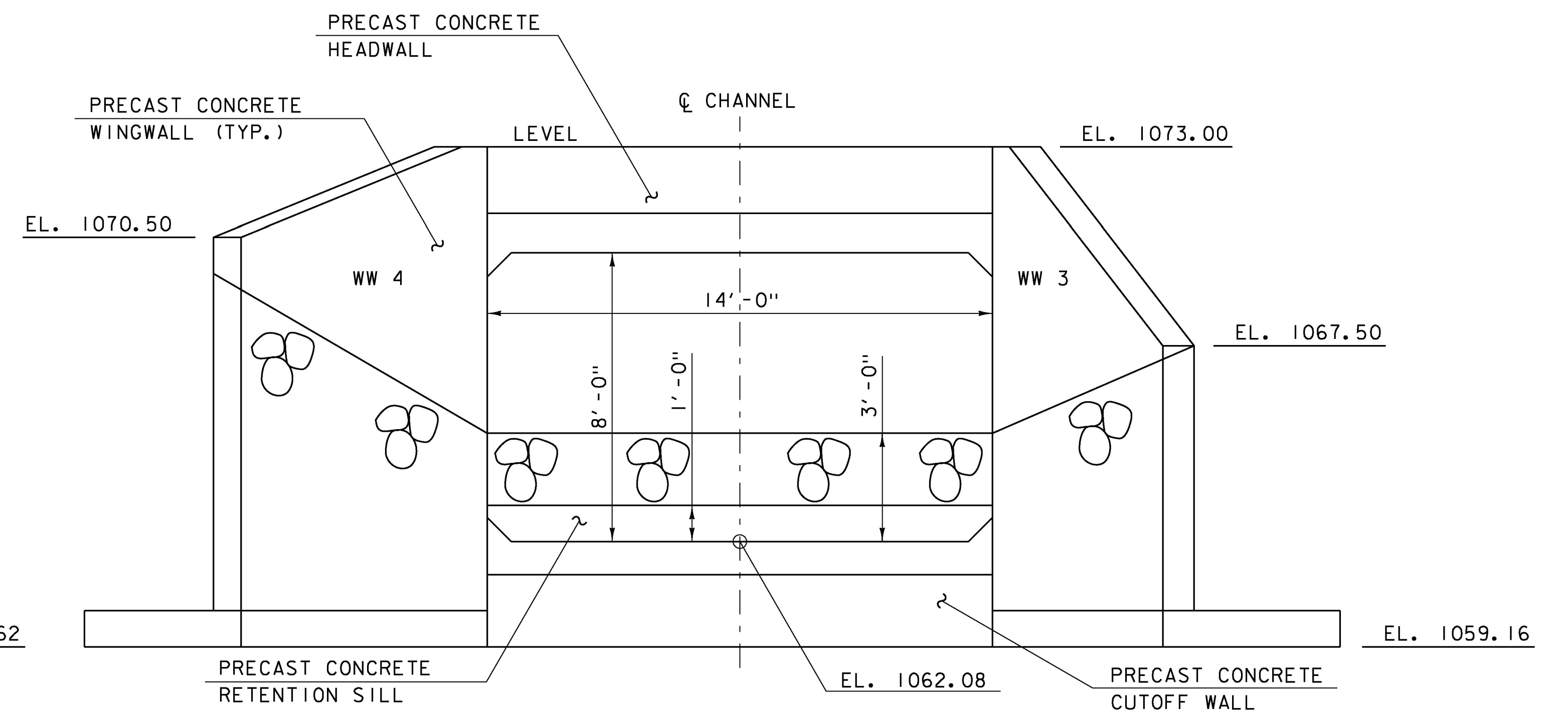
STRUCTURE LAYOUT

SCALE 1/4" = 1'-0"



WINGWALLS #1 & #2 ELEVATION

SCALE 3/8" = 1'-0"



WINGWALLS #3 & #4 ELEVATION

SCALE 3/8" = 1'-0"

PROJECT NAME:	HANCOCK
PROJECT NUMBER:	ER STP 0174 (18)
FILE NAME:	z12c412str.dgn
PROJECT LEADER:	J. TUCKER
DESIGNED BY:	B. BRESLEND
STRUCTURE LAYOUT AND DETAILS SHT 1	SHEET 32 OF 42
PLOT DATE:	10/11/2016
DRAWN BY:	B. BRESLEND
CHECKED BY:	E. DETRICK