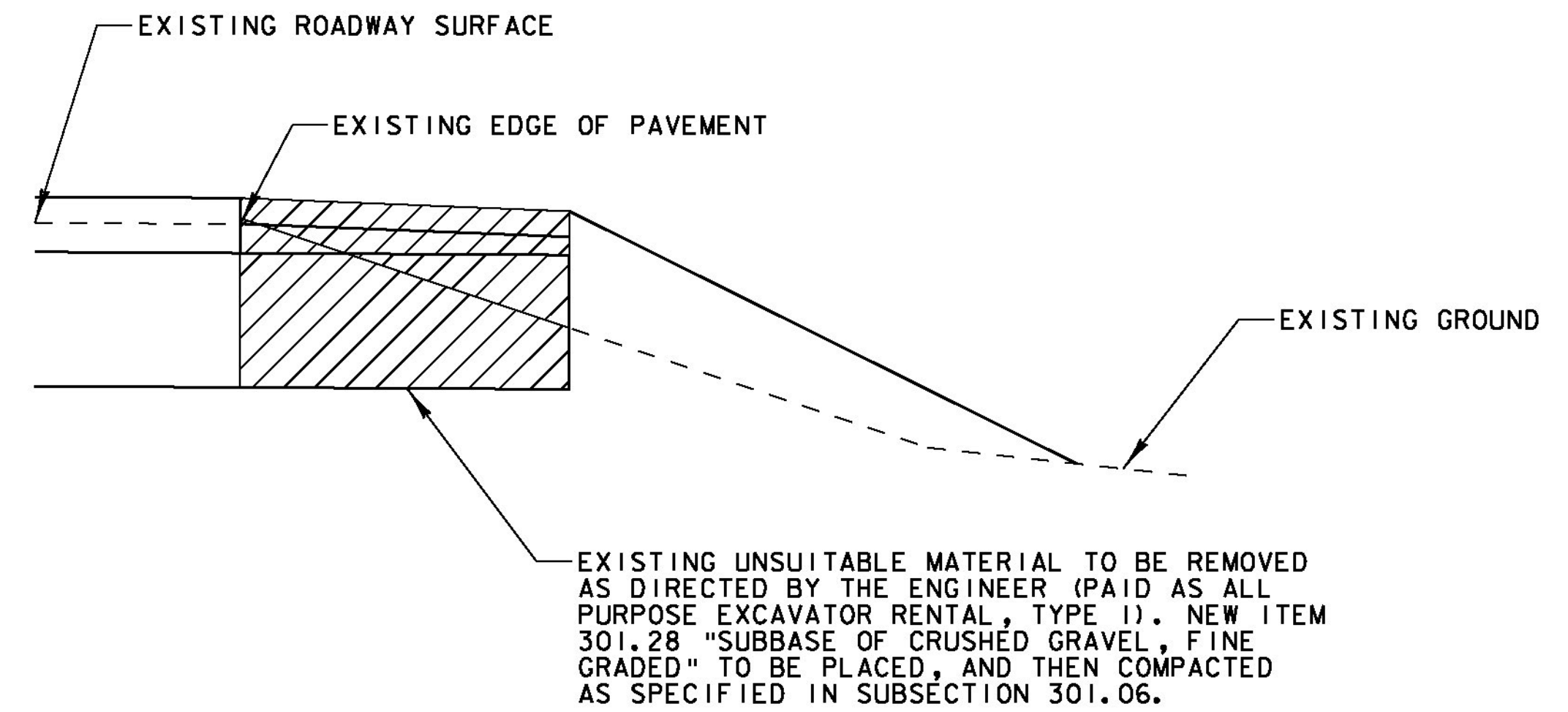


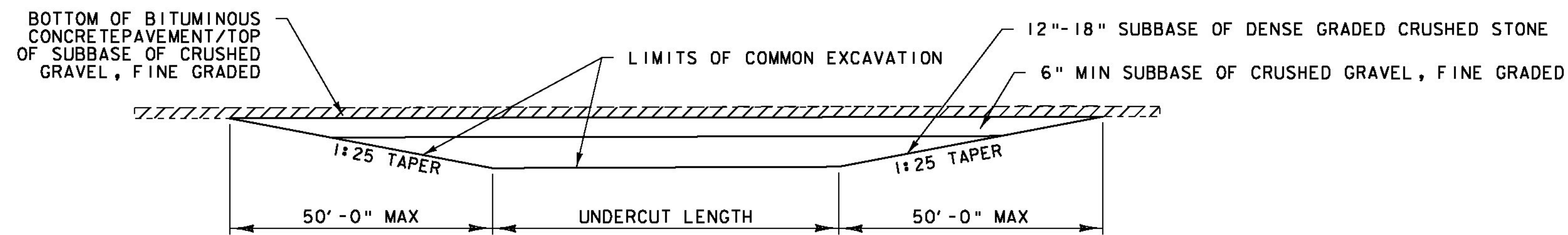
UNSUITABLE SUBBASE MATERIAL UNDERCUT DETAIL

NOTE: THIS DETAIL TO BE USED IN AREAS AS DEEMED NECESSARY BY THE ENGINEER. ALL WIDTHS AND DEPTHS TO BE APPROVED BY ENGINEER PRIOR TO WORK BEING PERFORMED.



EXISTING SHOULDER RECONSTRUCTION DETAIL

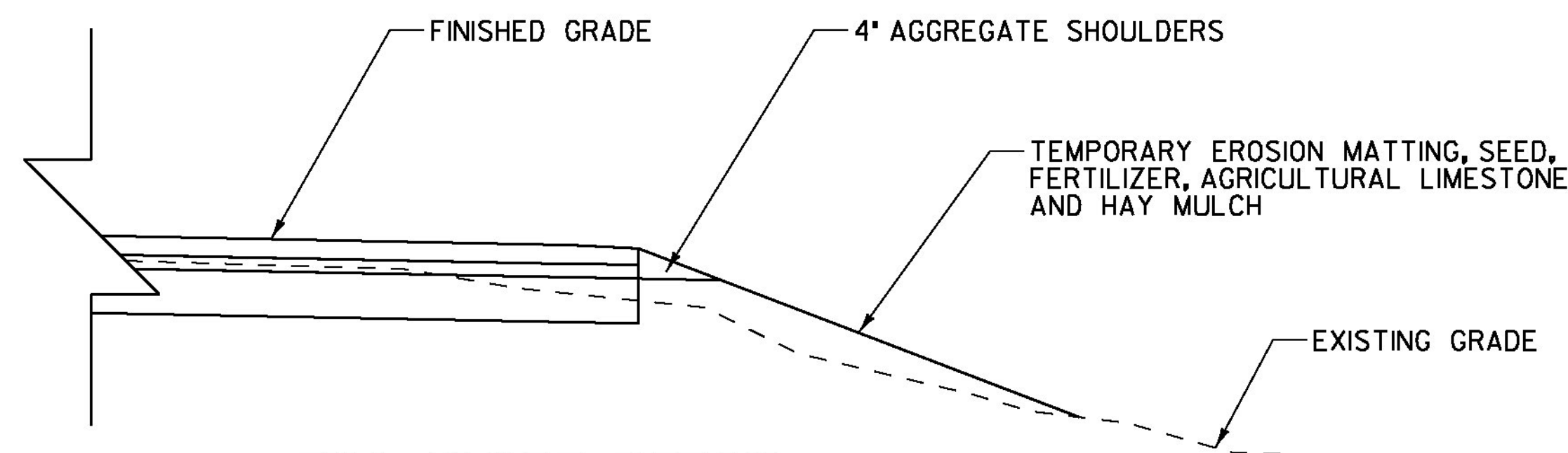
NOTE: THIS DETAIL TO BE USED IN AREAS AS DEEMED NECESSARY BY THE ENGINEER. ALL WIDTHS AND DEPTHS TO BE APPROVED BY ENGINEER PRIOR TO WORK BEING PERFORMED.



UNSUITABLE SUBBASE MATERIAL TRANSITION DETAIL

NOT TO SCALE

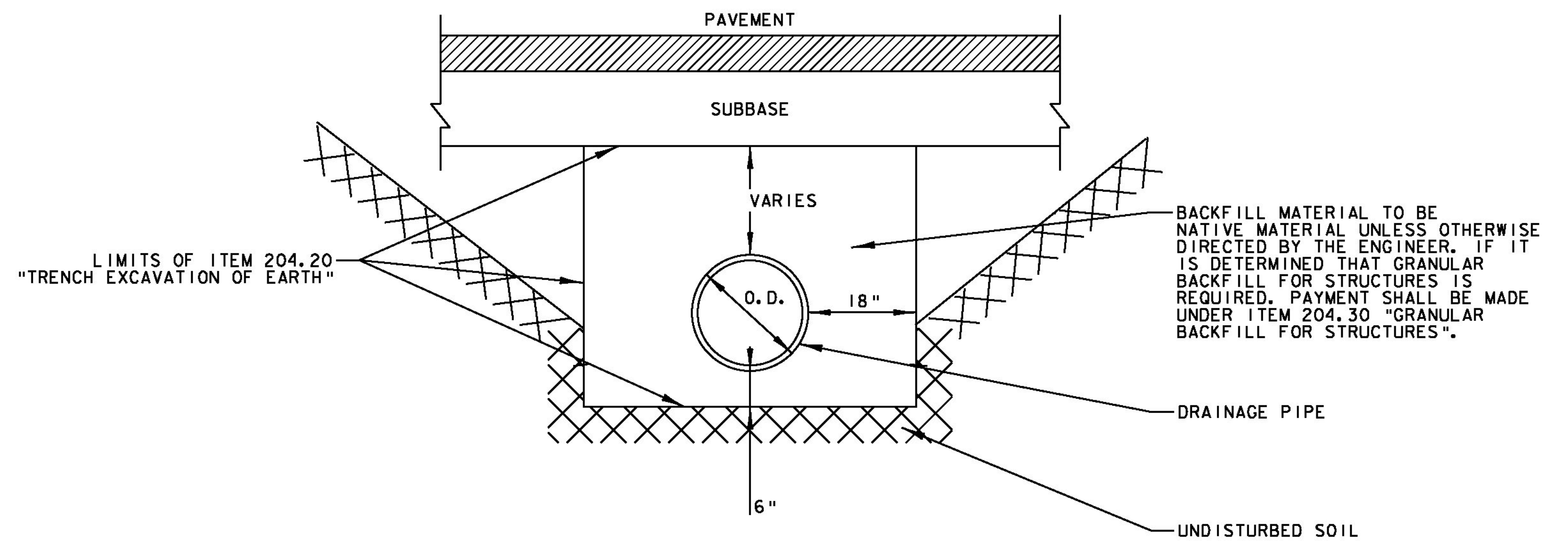
- NOTES:
1. UNDERCUT CANDIDATE AREAS ENCOUNTERED DURING CONSTRUCTION SHALL BE REVIEWED AND APPROVED BY THE VTRANS CONSTRUCTION PAVING ENGINEER PRIOR TO THE TREATMENT.
 2. ALL UNDERCUTS SHALL BE FULL WIDTH.



FILL SLOPE DETAIL

NOT TO SCALE

NOTE: IF DUE TO GROWING SEASON TIME CONSTRAINTS IT IS DEEMED NECESSARY BY THE CONSTRUCTION ENVIRONMENTAL ENGINEER THAT A MORE RAPID VEGETATION ESTABLISHMENT IS REQUIRED, 2 INCHES OF GRUBBING MATERIAL SHALL BE PLACED ON THE SLOPE PRIOR TO PLACEMENT OF SEED, FERTILIZER, TEMPORARY EROSION MATTING, AND AGRICULTURAL LIMESTONE. PLACEMENT OF GRUBBING MATERIAL WILL BE PAID FOR UNDER CONTRACT ITEM 651.40 "GRUBBING MATERIAL (2")".



TYPICAL TRENCH BOX DETAIL

BACKFILL MATERIAL TO BE NATIVE MATERIAL UNLESS OTHERWISE DIRECTED BY THE ENGINEER. IF IT IS DETERMINED THAT GRANULAR BACKFILL FOR STRUCTURES IS REQUIRED, PAYMENT SHALL BE MADE UNDER ITEM 204.30 "GRANULAR BACKFILL FOR STRUCTURES".

NOT TO SCALE

PROJECT NAME: SHARON
PROJECT NUMBER: ER STP 0147 (20)

FILE NAME: z12c410.dgn
PROJECT LEADER: J. TUCKER
DESIGNED BY: B. BRESLEND
TYPICAL SECTION SHEET 4

PLOT DATE: 3/31/2015
DRAWN BY: B. MACK
CHECKED BY: A. SANZ
SHEET 7 OF 66