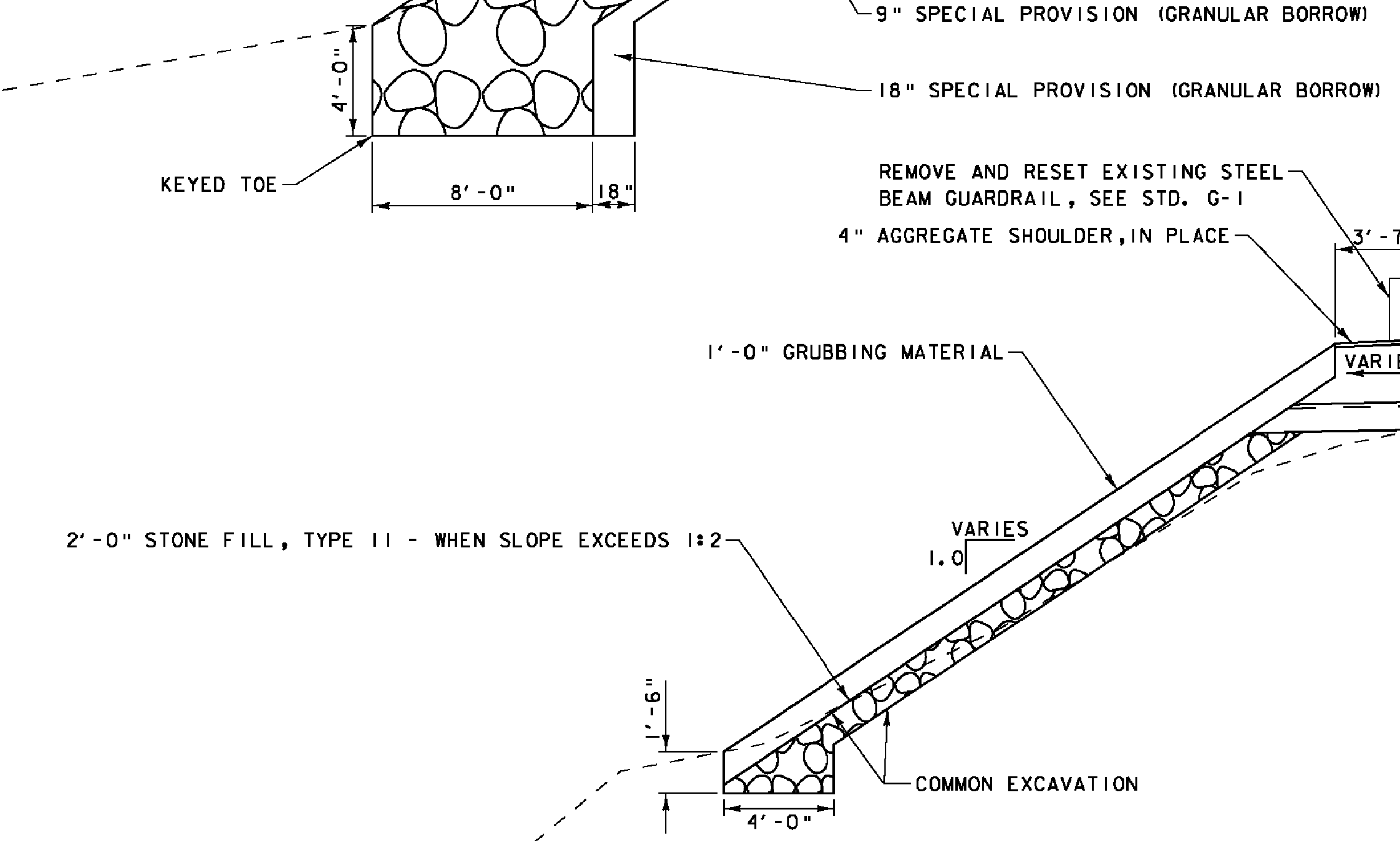


TYPICAL SECTION

STA. 323+50.00 TO STA. 328+00.00

OHW
(SEE CROSS SECTIONS)



TYPICAL SECTION

STA. 322+50.00 TO STA. 323+50.00
STA. 328+00.00 TO STA. 330+50.00

WHITE RIVER WATER SURFACE

TOLERANCES :
PAVEMENT : +/- 1/4" TOTAL PAVEMENT THICKNESS
SUBBASE : +/- 1" TOTAL CRUSHED STONE THICKNESS
SAND BORROW : +/- 1" TOTAL SAND THICKNESS

- NOTES:**
1. STONE FILL TO BE PLACED ON SLOPES STEEPER THAN 1:2 AS SHOWN ON PLANS
 2. SEE CROSS SECTIONS FOR SLOPES AND DIMENSIONS AT INDIVIDUAL SECTIONS

PROJECT NAME: SHARON	PLOT DATE: 3/31/2015
PROJECT NUMBER: ER STP 0147 (20)	DRAWN BY: B. MACK
FILE NAME: z12c410.dgn	DESIGNED BY: B. BRESLEND
PROJECT LEADER: J. TUCKER	CHECKED BY: A. SANZ
TYPICAL SECTION SHEET 1	SHEET 4 OF 66

NOT TO SCALE