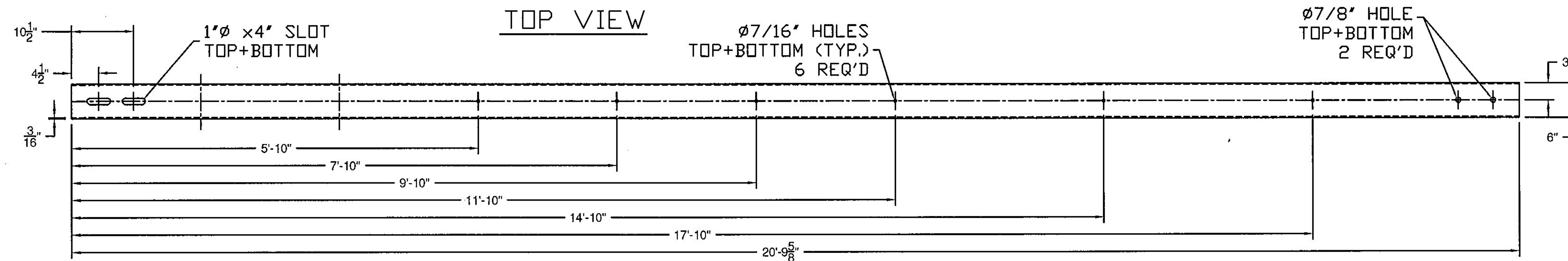
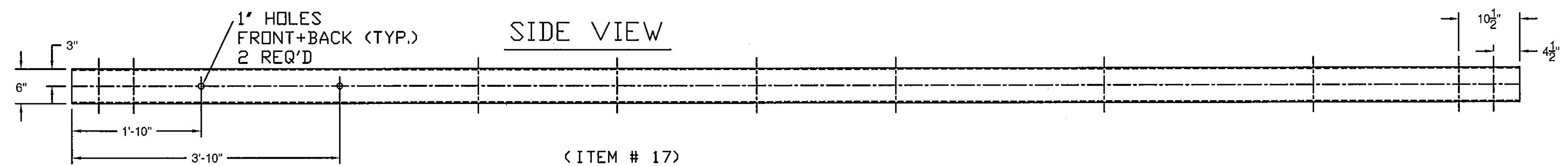


ITEM 16
(WW1~4)

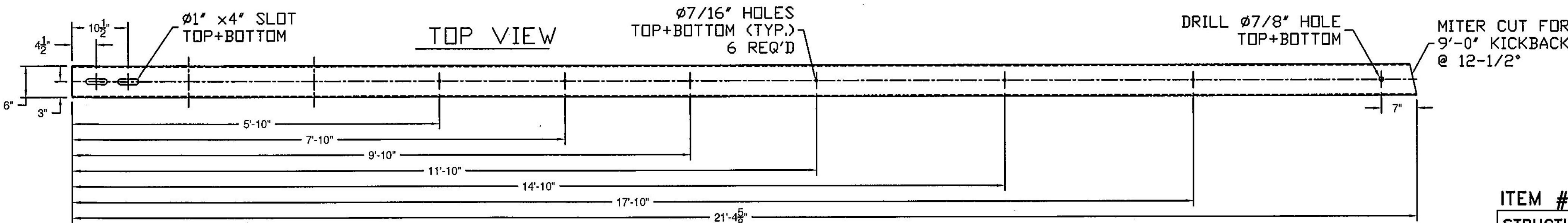


TOP VIEW

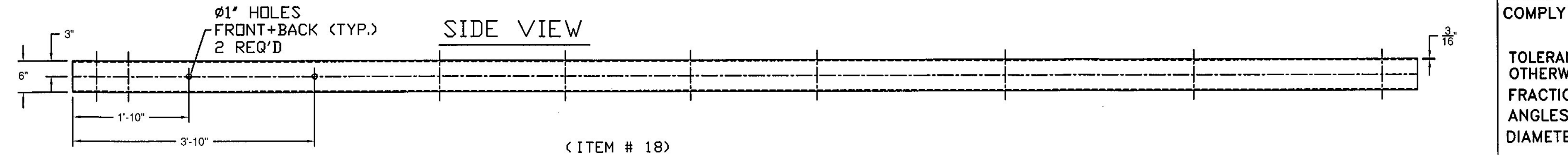


SIDE VIEW

(ITEM # 17)



TOP VIEW



SIDE VIEW

(ITEM # 18)

Vermont Agency of Transportation
RECEIVED
CK'D BY RFOSTER/CHENETTE OK'D BY WPELLETIER
February 15, 2017
RESUBMIT NO Approved AsNoted
BY WPELLETIER DATE 02/21/2017

APPROVED: Approval of drawings and/or procedures indicates concurrence with the information presented and does not relieve the Contractor or Fabricator of compliance with all specifications and code requirements		
APPROVED AS NOTED	X	
REVISE AND RESUBMIT		
NOT REVIEWED		
Date: 02/21/17		
By: Michael J. Chenette		
<small>This review by Stantec Consulting Services Inc. is for the sole purpose of ascertaining conformance with the general design concept. This review shall not mean that Stantec Consulting Services Inc. approves the detail design inherent in the shop drawings, responsibility for which shall remain with the Contractor, Submitter, and such review shall not relieve the Contractor of his responsibility for errors or omissions in the shop drawing or of his responsibility for meeting all requirements of the Contract Documents. The contractor is responsible for dimensions to be confirmed and correlated at the job site, for information that pertains solely to the fabrication processes or to techniques of construction and installation and for coordination of the work of all trades.</small>		

ITEM #: 621.725
STRUCTURAL STEEL TO COMPLY W/ ASTM A6

GUARD RAIL TO BRIDGE RAIL TRANSITION DETAILS SHEET
VT ROUTE 242 (RURAL MAJOR COLLECTOR) BRIDGE # 10
TOWN OF JAY, COUNTY OF ORLEANS, VT.

SHEET 4 OF 5

TOLERANCE UNLESS OTHERWISE NOTED:
FRACTIONS = ± 1/16"
ANGLES = ± 1/2"
DIAMETERS = ± 1/32"

R NO.	DATE	DESCRIPTION	BY	R NO.	DATE	DESCRIPTION	BY
E 1	2/8/17	REVISED PER 12/22/16 MARK-UP	D.K.	E			
V			V				

DRAWN	D.K.	12/7/16
CHECKED	E.P.	12/7/16
APPROVED	D.L.	12/9/16
SCALE	SCHEMATIC	
DRAWING NO. F.R. LaFAYETTE-JAY T		

ELDERLEE, INC.
OAKS CORNERS, NEW YORK 14518
email: dlong@elderlee.com / epeek@elderlee.com
Tel: 315-789-6670 Fax: 315-789-6615

CERTIFIED FABRICATOR
ORTHOGONOGRAPHIC PROJECTION