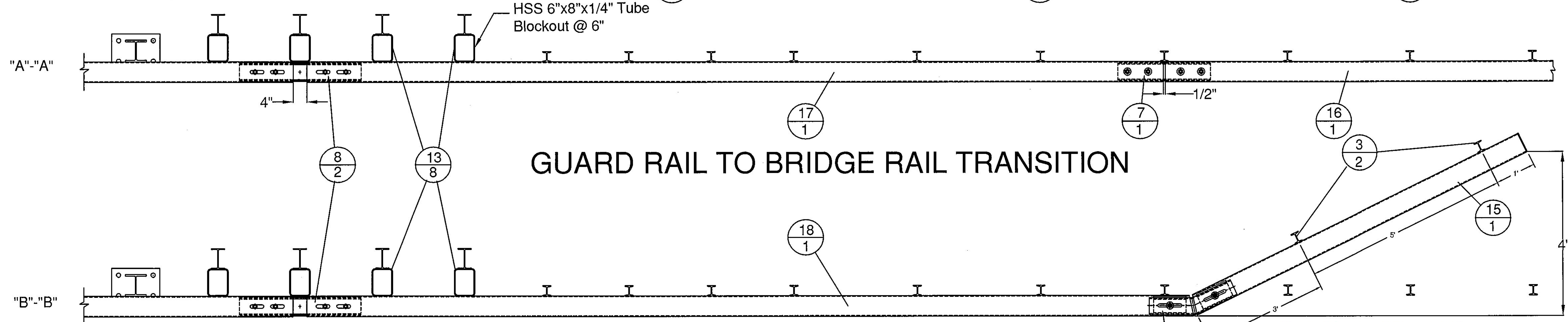
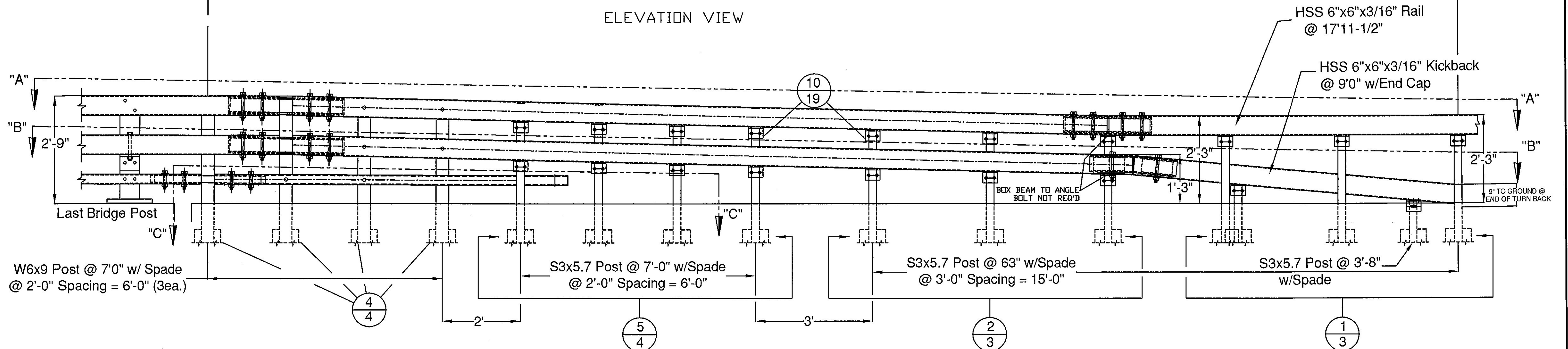
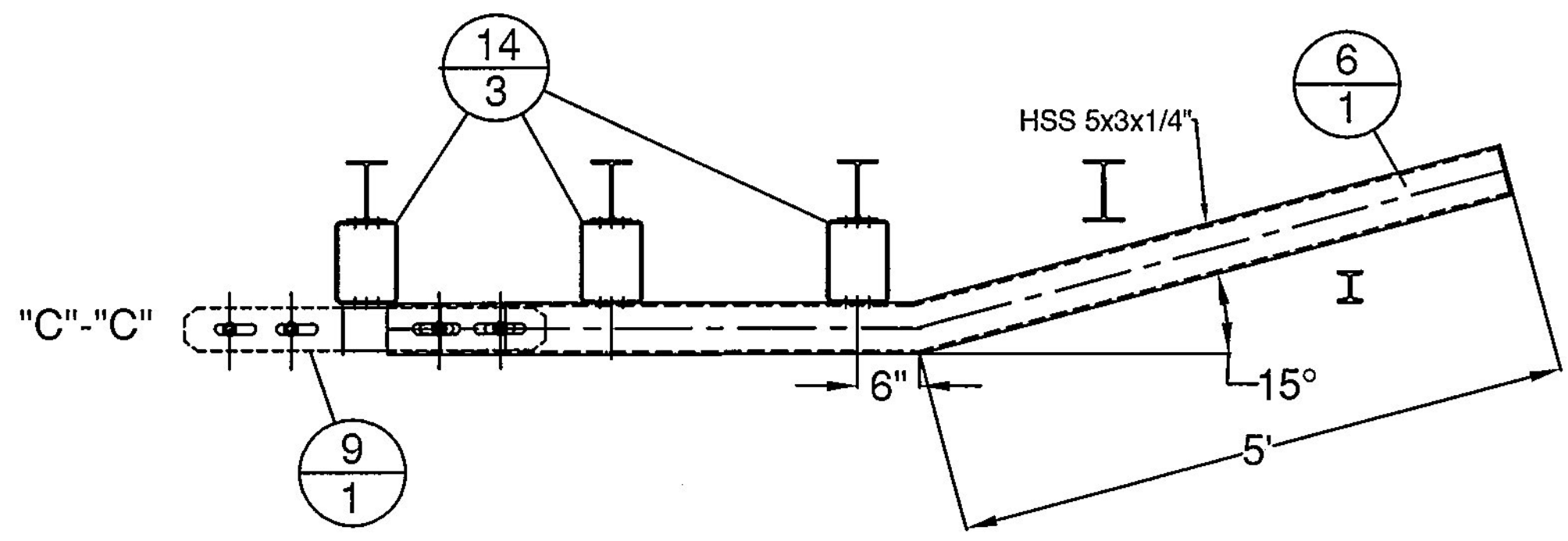


32' - PAY LIMIT FOR TRANSITION - BRIDGE RAILING TO BOX BEAM GUIDE RAIL

ELEVATION VIEW



GUARD RAIL TO BRIDGE RAIL TRANSITION



Vermont Agency of Transportation
RECEIVED

CK'D BY RFOSTER/CHENETTE OK'D BY WBP

February 15, 2017

RESUBMIT NO Approved AsNoted
BY WPELLETIER DATE 02/21/2017

SHEET 1 OF 5

APPROVED: Approval of drawings and/or procedures indicates concurrence with the information presented and does not relieve the Contractor or Fabricator of compliance with all specifications and code requirements

APPROVED AS NOTED X

REVISE AND RESUBMIT

NOT REVIEWED

Date: 02/21/17

By: Michael J. Chenette

This review by Stantec Consulting Services Inc. is for the sole purpose of ascertaining conformance with the general design concept. This review shall not mean that Stantec Consulting Services Inc. approves the detail design inherent in the shop drawings, responsibility for which shall remain with the Contractor. Submitting same, and such review shall not relieve the Contractor of his responsibility for errors or omissions in the shop drawing or of his responsibility for meeting all requirements of the Contract Documents. The contractor is responsible for dimensions to be confirmed and correlated at the job site, for information that pertains solely to the fabrication processes or to techniques of construction and installation and for coordination of the work of all subtrades.

ITEM #: 621.725
STRUCTURAL STEEL TO COMPLY W/ ASTM A6

TOLERANCE UNLESS OTHERWISE NOTED:
FRACTIONS = ± 1/16"
ANGLES = ± 1/2"
DIAMETERS = ± 1/32"

GUARD RAIL TO BRIDGE RAIL TRANSITION DETAILS SHEET
VT ROUTE 242 (RURAL MAJOR COLLECTOR) BRIDGE # 10
TOWN OF JAY, COUNTY OF ORLEANS, VT.

| R NO. | DATE | DESCRIPTION | BY | R NO. | DATE | DESCRIPTION | BY |
|-------|--------|------------------------------|------|-------|------|-------------|----|
| E 1 | 2/8/17 | REVISED PER 12/22/16 MARK-UP | D.K. | E | | | |

| | | |
|----------------------------------|-----------|---------|
| DRAWN | D.K. | 12/7/16 |
| CHECKED | E.P. | 12/7/16 |
| APPROVED | D.L. | 12/9/16 |
| SCALE | SCHEMATIC | |
| DRAWING NO. F.R. LAFAYETTE-JAY T | | |

ELDERLEE, INC.
OAKS CORNERS, NEW YORK 14518
email: dlong@elderlee.com / speek@elderlee.com
Tel: 315-789-6670 Fax: 315-789-6616