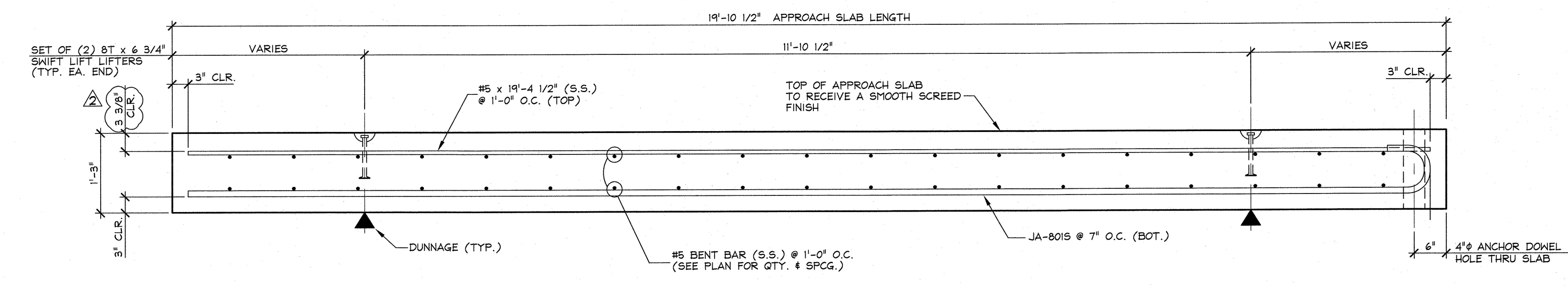
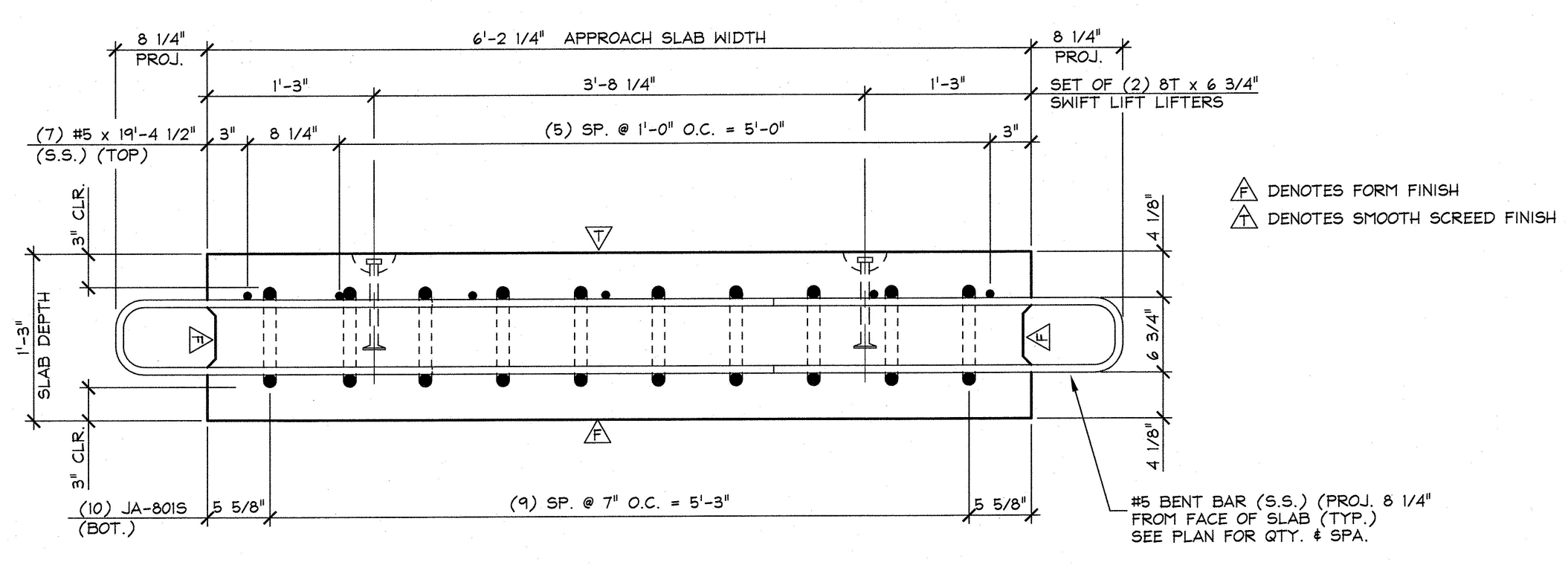


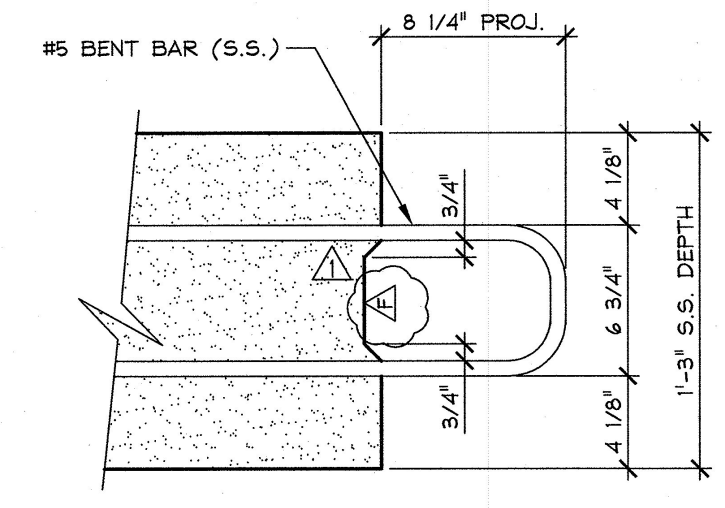
1 PLAN VIEW IN FORM  
AS6  
3/8" = 1'-0"



A LONGITUDINAL SECTION  
AS6  
3/4" = 1'-0"



B SECTION  
AS6  
1" = 1'-0"



SHEAR KEY DETAIL  
1 1/2" = 1'-0"

APPROVED: Approval of drawings and/or procedures indicates concurrence with the information presented and does not relieve the Contractor or Fabricator of compliance with all specifications and code requirements.

APPROVED AS NOTED

REVISION AND RESUBMIT

NOT REVIEWED

Date: 12/12/16

By: Michael J. Chenette

This review by Stantec Consulting Services Inc. is for the sole purpose of ascertaining conformance with the general design concept. This review shall not mean that Stantec Consulting Services Inc. approves the detail design inherent in the shop drawings, responsibility for which shall remain with the Contractor. Submitting same, and such review shall not relieve the Contractor of his responsibility for errors or omissions in the shop drawing or of his responsibility for meeting all requirements of the Contract Documents. The contractor is responsible for dimensions to be confirmed and correlated at the job site, for information that pertains solely to the fabrication processes or to techniques of construction and installation and for coordination of the work of all subtrades.



SHOP NOTE:  
F'c = 5,000 PSI  
F'st = 3,000 PSI  
MIX #445M5CC

MATERIAL LIST / APPROACH SLAB			
ITEM	MARK	DESCRIPTION	QTY.
1	JA-5079	#5 BENT BAR (STAINLESS STEEL)	30
2	JA-5085	#5 BENT BAR (STAINLESS STEEL)	4
3	JA-5195	#5 BENT BAR (STAINLESS STEEL)	2
4	JA-5205	#5 BENT BAR (STAINLESS STEEL)	2
5			
6			
7	JA-8015	#8 BENT BAR (STAINLESS STEEL)	10
8			
9		#5 x 19'-4 1/2" (STAINLESS STEEL)	7
10		#5 x 6'-1" (STAINLESS STEEL)	2
11			
12			
13			
14		DAYTON 8T x 6 3/4" SWIFT LIFT (DOMESTIC)	4
15			

SUBMITTED  
DEC 6 2016  
J.P. CARRARA & SONS, INC.  
MIDDLEBURY, VT 05753

APPROVAL STAMP:

**J.P. CARRARA & SONS INC.**  
Precast & Prestress Manufacturer  
2464 CASE ST., MIDDLEBURY, VERMONT 05753 Phone: (802)388-6361 Fax: (802)388-9010

**A.L. St. Onge**  
CONTRACTOR  
MONTGOMERY, VERMONT

STATE OF VERMONT AGENCY OF TRANSPORTATION  
COUNTY OF ORLEANS

TOWN OF JAY  
VT. RTE 242, RURAL MAJOR COLLECTOR  
BRIDGE NO.: 10 PROJECT NO.: BHF 0278 (3)

DATE: OCT. 14, 2016  
SCALE: NOTED  
CHKD: DFTM: T.D.  
JOB NO: 23500-016  
DWG. NO: AS6

12/6/16 REVISED AS PER ENGINEERS COM'N. T.D.  
11/21/16 REVISED AS PER ENGINEERS COM'N. T.D.