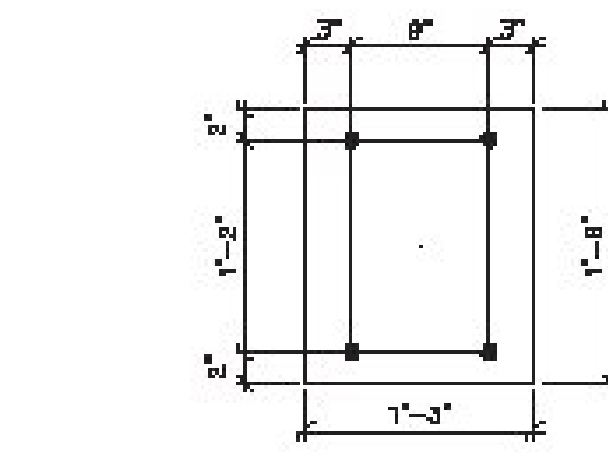
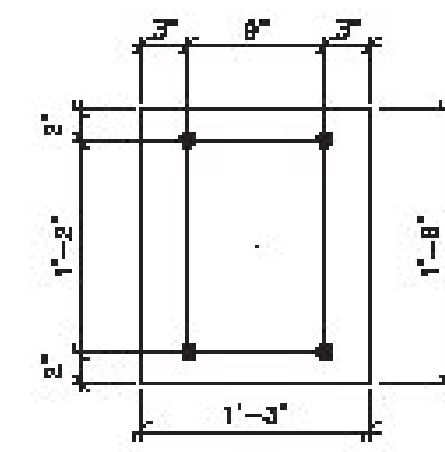


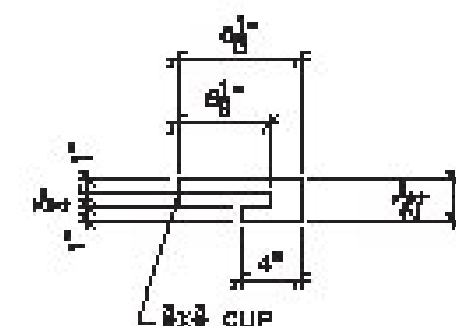
20 REQ'D. C12X25 DIAPHRAGM, MARK "D1"



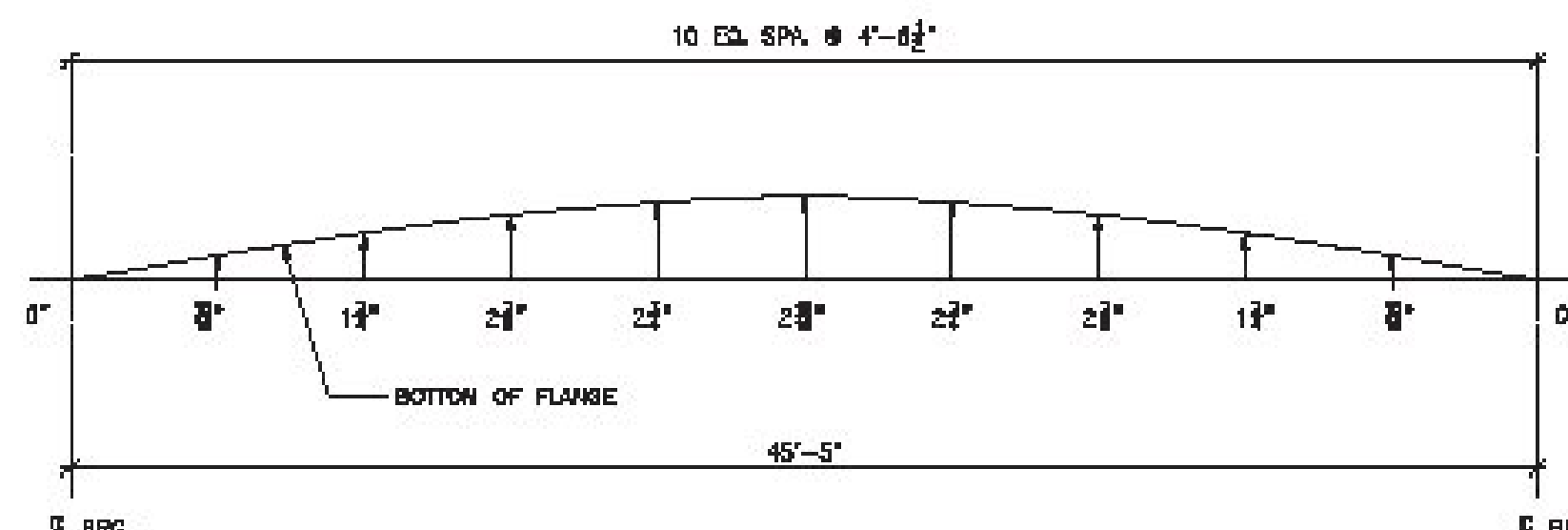
8 REQ'D. LOAD PLATE, MARK "lp1"



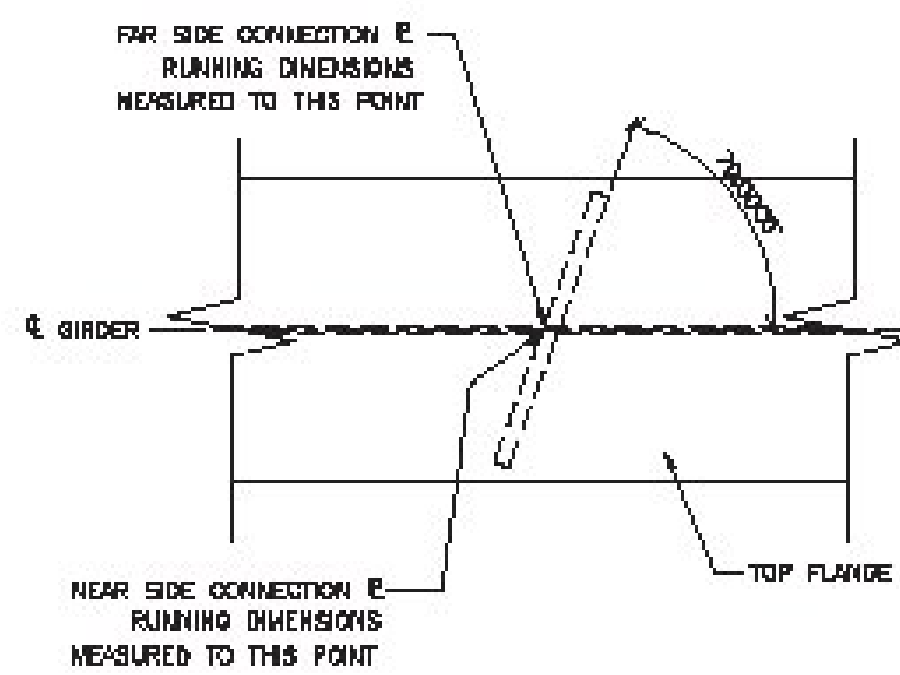
8 REQ'D. LOAD PLATE, MARK "lp2"



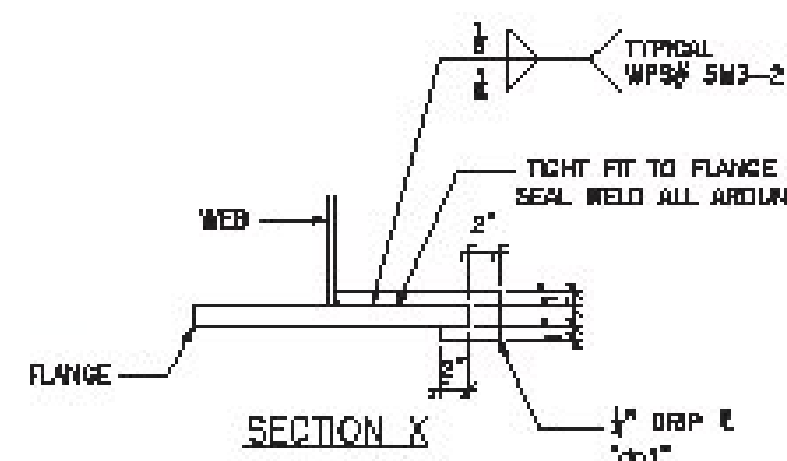
2 REQ'D. 1/2" DRIP P., MARK "dp1"



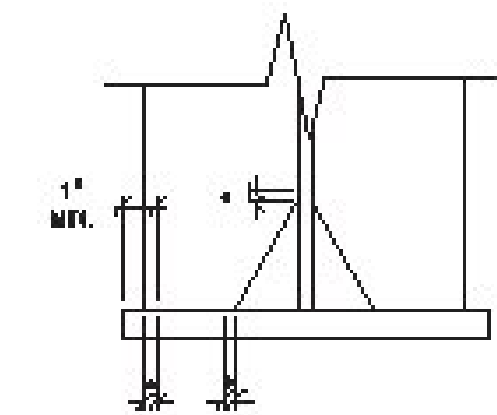
CAMBER DIAGRAM



RUNNING DIMENSIONS DETAIL

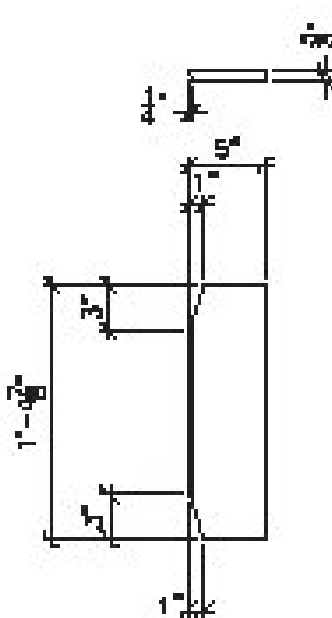


SECTION X

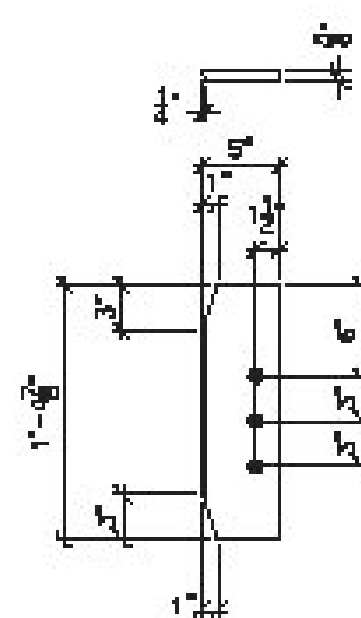


WELD TERMINATION DETAIL

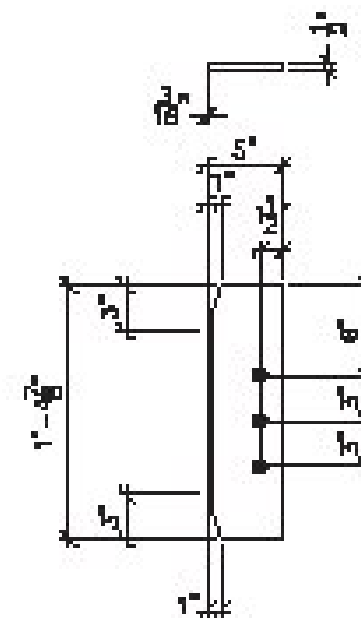
* NO WELD FOR 3/8" MIN. 2" MAX.



4 REQ'D. 3/8" STIFF. P., MARK "p1"



16 REQ'D. 3/8" CONN./STIFF. P., MARK "p2"



20 REQ'D. 1/2" CONN. P., MARK "p3"

Vermont Agency of Transportation
RECEIVED
 CK'D BY r foster OK'D BY WBP
 April 20, 2017
 RESUBMIT NO Approved
 BY WPELLETIER DATE 04/20/2017

APPROVED: Approval of drawings and/or specifications in accordance with the contract documents and the general design concept. This review shall not constitute an approval of the design or construction of the project. The contractor shall remain responsible for the design and construction of the project. The contractor shall remain responsible for the design and construction of the project. The contractor shall remain responsible for the design and construction of the project.

APPROVED AS NOTED

DESIGN AND PREPARED BY: WPELLETIER
 DATE: 04/20/17

By: Michael J. Christie

This review by Stantec Consulting Services Inc. is for the sole purpose of providing professional engineering services in accordance with the contract documents and the general design concept. This review shall not constitute an approval of the design or construction of the project. The contractor shall remain responsible for the design and construction of the project. The contractor shall remain responsible for the design and construction of the project. The contractor shall remain responsible for the design and construction of the project.

Stantec

BILL OF MATERIAL							
SHIP	SHIP MARK	NO. PCS.	PIECE MARK	DESCRIPTION	LENGTH	REMARKS	WT.
		4	p1	R 1/2 X 5	1'-0 1/2		57
		16	p2	R 3/8 X 5	1'-0 1/2		228
		20	p3	R 1/2 X 5	1'-0 1/2		830
		2	dp1	R 1/2 X 2 1/2	0'-5 1/2		2
		20	D1	C12X25	6'-1 1/2		3032
		8	lp1	R 1 1/2 X 15	1'-8		474
		8	lp2	R 1 1/2 X 15	1'-8		516

FINISH	QUANTITY	NO.	DATE	DESCRIPTION	BY
INTERNAL	ASTM A708 GRADE 50 U.S.M.L.				
HOLES	1 1/2" DIA.				
ELECTRODES					
WELDS	PER WPS				
SURFACE PREP	SSPC SP6				

ARC
 ADVANCED RESOURCES & CONST.
 ENTERPRISES, INCORPORATED
 P.O. BOX 120 WINDFIELD, ME 04842
 PHONE: (207) 285-2848 - FAX: (207) 285-4094

DRWING	MISC. DETAILS	PROJECT NO.
DATE: 3/8/17	TOWN OF WINDFIELD, ME (RURAL MAJOR COLLECTOR)	16-165
CHECKED: JS	PROJECT NUMBER: SHF 0278(C)	DWG. NO.
DATE: 3/8/17	CUSTOMER: AL ST. ONCE CONTRACTOR, INC.	M1