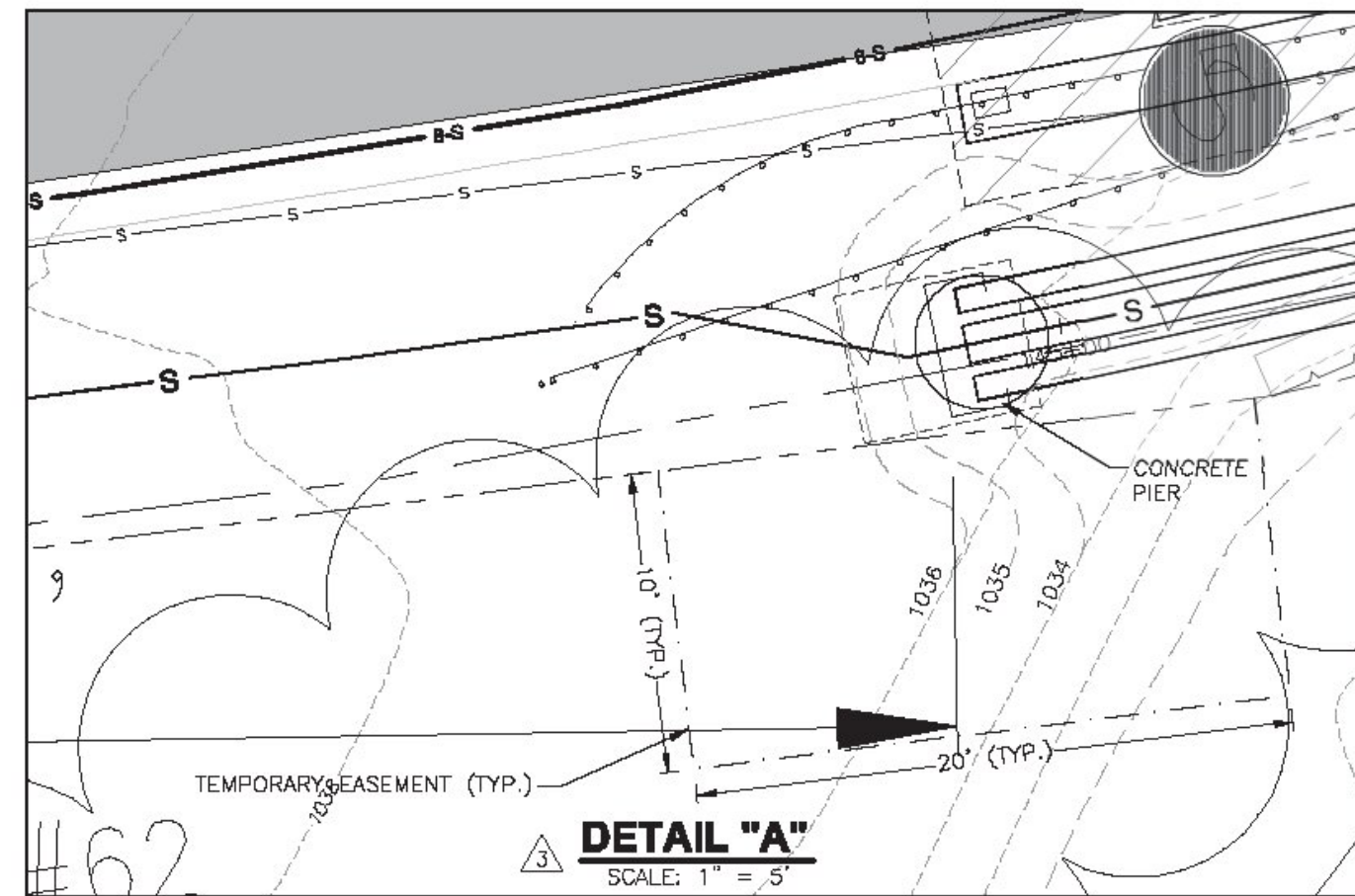


SITE PLAN
SCALE: 1" = 10'

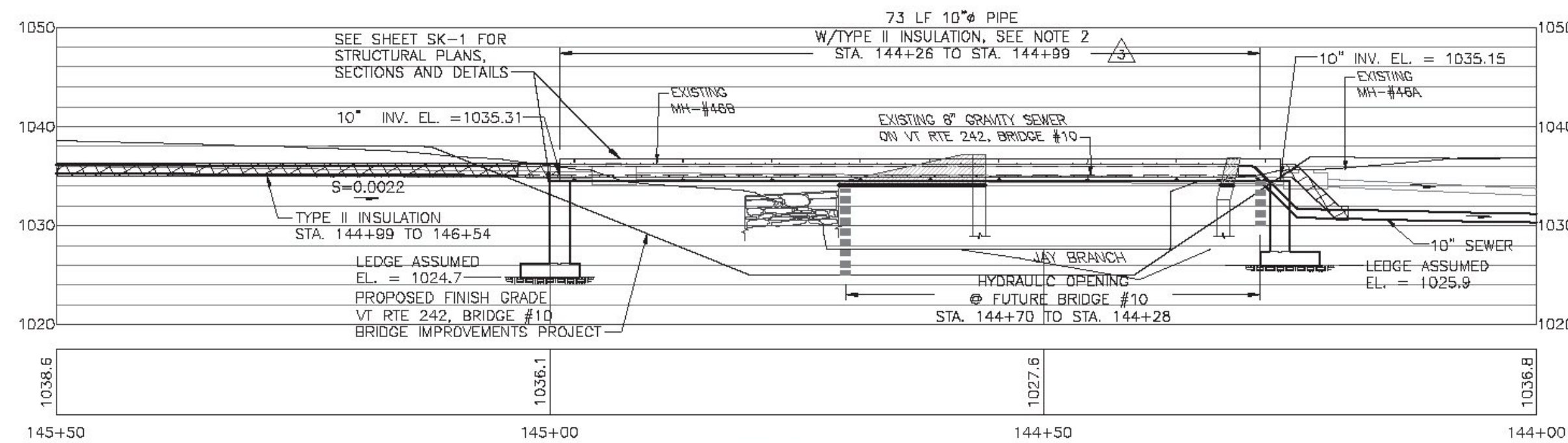
GRADING NOTE
PROTECT ALL DISTURBED AREAS WITH 1'-0" OF 6" CRUSHED STONE ON FILTER FABRIC.

NOTES

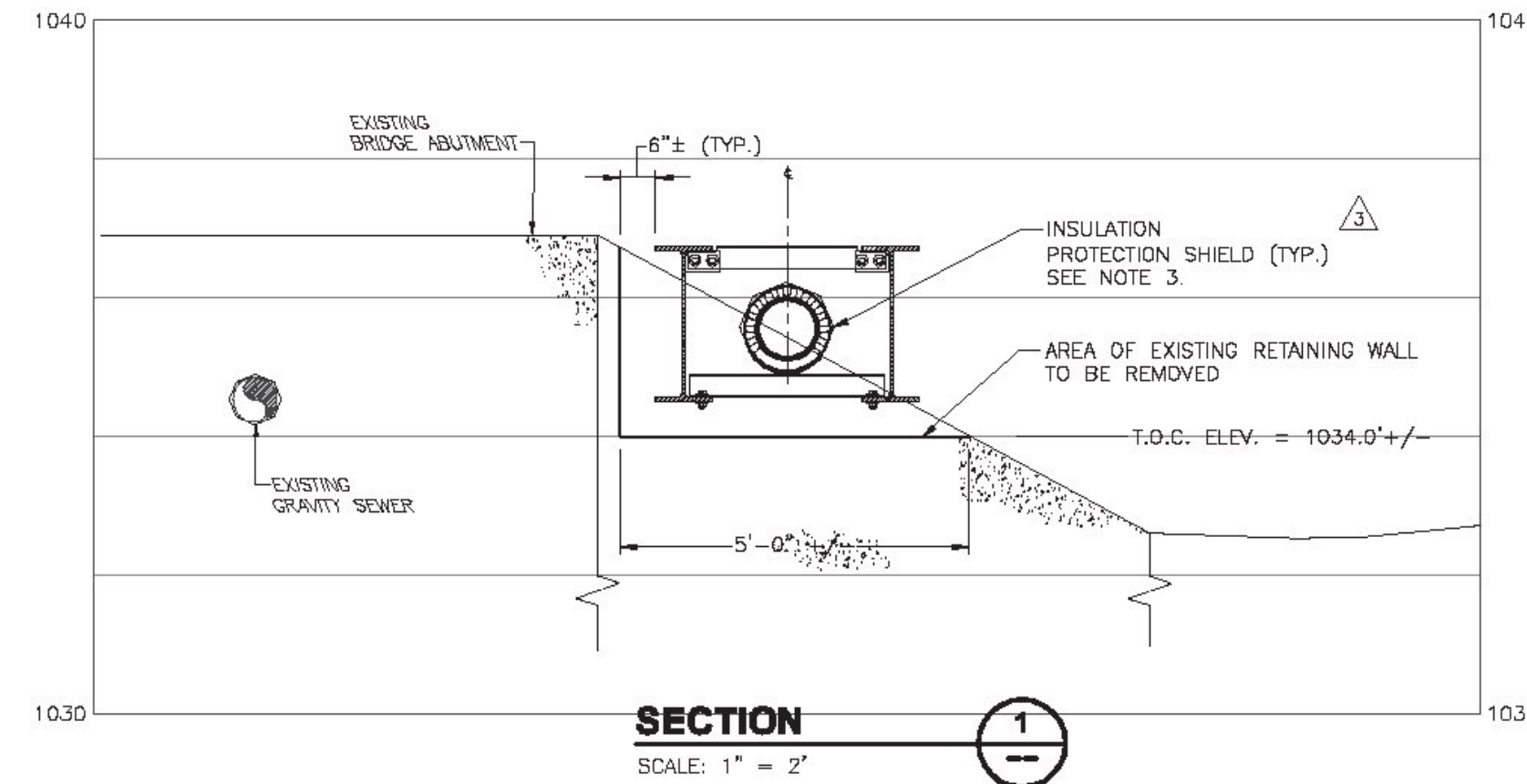
1. BOOT SHALL BE PSK; DIRECT DRIVE BY PRESS-SEAL GASKET CORP., FORT WAYNE, INDIANA, OR APPROVED EQUAL.
2. TYPE II INSULATION TO BE PROTECTED WITH ALUMINUM ROLL CLADDING WITH A 3 MIL POLYSURLYN MOISTURE BARRIER. CLADDING SHALL BE 0.020 INCH MINIMUM THICKNESS WITH A STUCCO EMBOSSED FINISH. PROVIDE ALUMINUM BANDS @ 5' ON CENTER. CLADDING SHALL BE ASTM C1729, TYPE I, BY ITW INSULATION SYSTEMS OR APPROVED EQUAL.
3. INSTALL INSULATION PROTECTION SHIELDS AT EACH CROSS MEMBER. SHIM TO PROVIDE SLOPE REQUIRED AND WELD TO CROSS MEMBER. TOUCH UP PAINT AFTER WELDING. INSULATION PROTECTION SHIELD SHALL BE FIG 170 NO. 20 TYPE B BY PHD MANUFACTURING OR APPROVED EQUAL.
4. PROVIDE NEW GUARDRAIL IN ACCORDANCE WITH VTRANS STANDARD SPECIFICATIONS LATEST EDITION, AND VTRANS STANDARDS G-1 AND G-1D.
5. MH-46, SHEET C14. CORE DRILL MH-46 AND PROVIDE AN 8" STUB AND CAP, INVERT=1030.76. MODIFY CHANNEL AND TABLE AS REQUIRED.



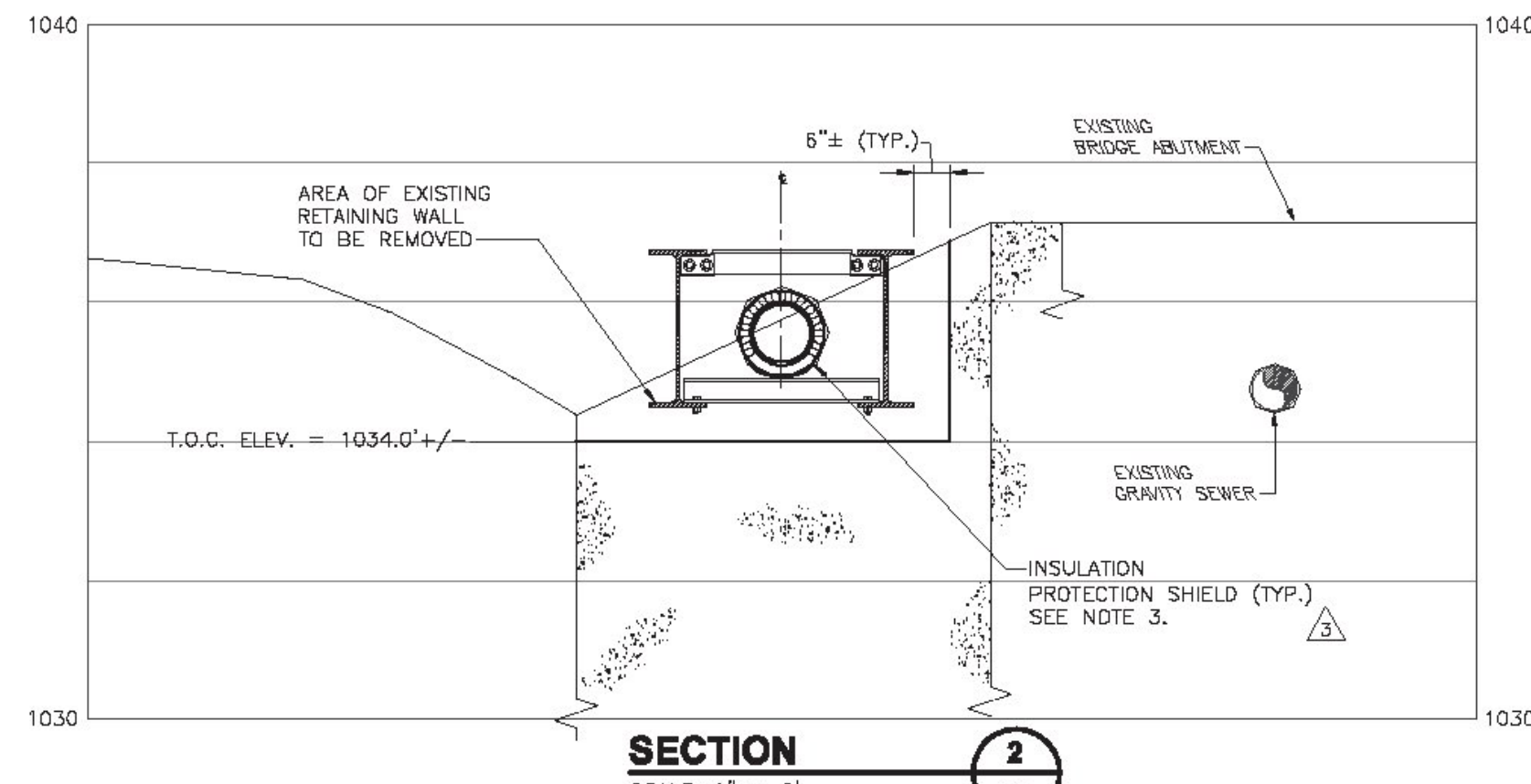
DETAIL "A"
SCALE: 1" = 5'



PROFILE
SCALE: 1" = 10'



SECTION 1
SCALE: 1" = 2'



SECTION 2
SCALE: 1" = 2'

RECORD DRAWING

RECORD DRAWINGS PREPARED FROM CONTRACTOR PROVIDED INFORMATION

TOWNS OF TROY AND JAY VERMONT
WASTEWATER COLLECTION SYSTEM (CONTRACT #4)

REVISED BRIDGE PLANS, PROFILE AND SECTIONS

No.	Date	Description
6	5/17/15	MH-46B, INVERT
5	4/2/15	GRAVITY SEWER MH LOC.
4	1/27/15	REVISED GUARDRAIL
3	1/22/14	PIPE INSULATION INDEX, GRADING
2	11/24/14	PIPE SUPPORT AND MANHOLES
D	8/15/14	FOR BID
C	7/7/13	FOR REVIEW
B	2/2/13	FOR APPROVAL
A	5/17/12	BOX PERMIT REVIEW SET



T&H NO.: 3452
DATE: 01-07-2014
SCALE: AS NOTED

C29

REVISIONS	
1	9.27.16 ADDED REFERENCE SHEET

**JAY SEWER PLANS
SHEET 72B
FOR REFERENCE ONLY**