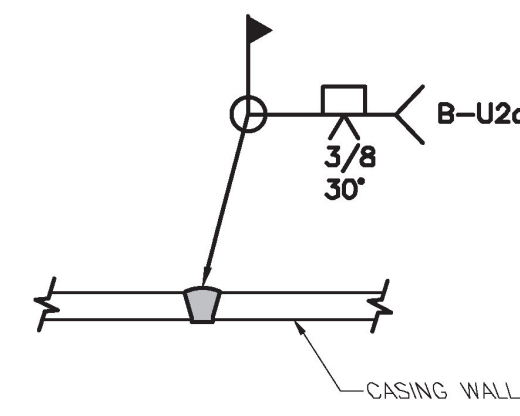


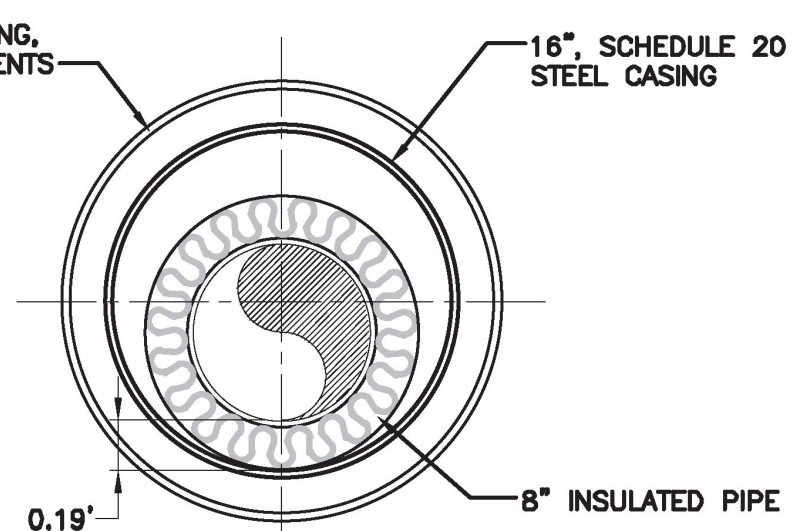
SITE PLAN
SCALE: 1" = 10'

- NOTES**
1. WELDING SHALL COMPLY WITH AWWA STANDARD C206 AND AWS D1.1. ALL WELDING SHALL BE PERFORMED BY A WELDER CERTIFIED FOR POSITION AND PROCESS UTILIZED.
 2. NO WELDS PERMITTED IN THE MIDDLE THIRD OF THE SPAN BETWEEN ABUTMENTS, STA. 0+69 TO 0+84.

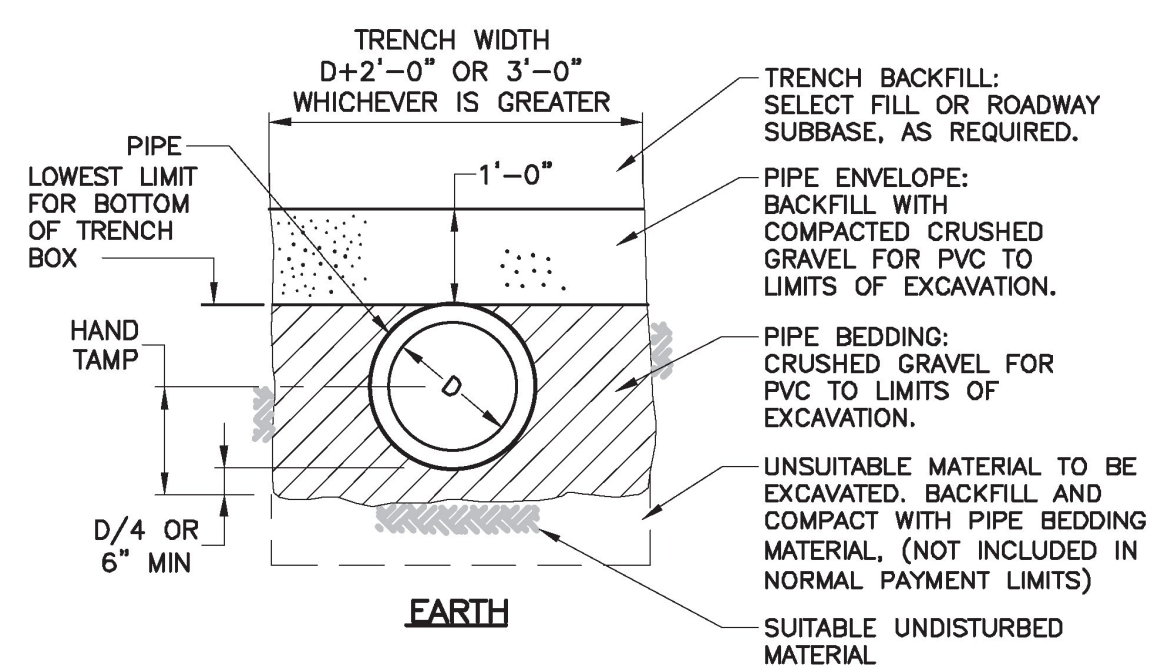
- NOTES**
1. A 20-INCH STEEL CASING WILL BE CAST IN TO THE ABUTMENTS TO ACCOMMODATE INSTALLATION OF THE 16-INCH STEEL CASING.
 2. PLUG EXISTING SEWER INSIDE MH-46A AND MH-46B WITH NON-SHRINK GROUT AFTER NEW SEWER INSTALLED AND PLACED INTO SERVICE.



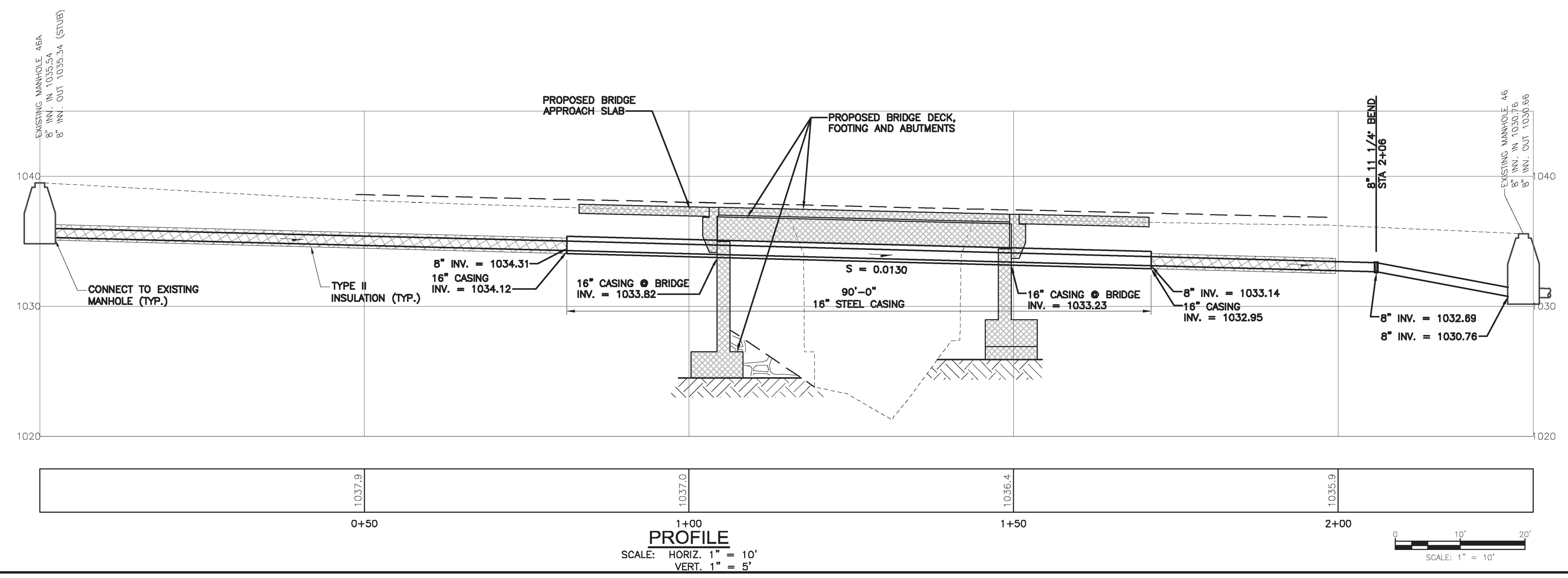
TYPICAL CASING SPLICE WELD
NOT TO SCALE



TYPICAL CASING SECTION
NOT TO SCALE



TRENCH SECTIONS
NOT TO SCALE



PROFILE
SCALE: HORIZ. 1" = 10'
VERT. 1" = 5'

**TOWNS OF TROY AND JAY VERMONT
WASTEWATER COLLECTION SYSTEM (CONTRACT #4)**

GRAVITY SEWER PLAN, PROFILE AND DETAILS

Rev.	Date	Description
D	8/15/14	FOR BID
C	7/27/13	FOR REVIEW
B	2/8/13	FOR APPROVAL
A	8/17/13	FOR PERMIT REVIEW SET

REVIEW SUBMITTAL NOT FOR CONSTRUCTION



T&H NO.: 3452
DATE: 03/2015
SCALE: AS NOTED

C29.1

V:\1583\shd\158310831\158310831.dwg, 15. Sewer, created from: Data and Howard\VCAD-T\WORKS\CA_C29.dwg, 4/7/2015