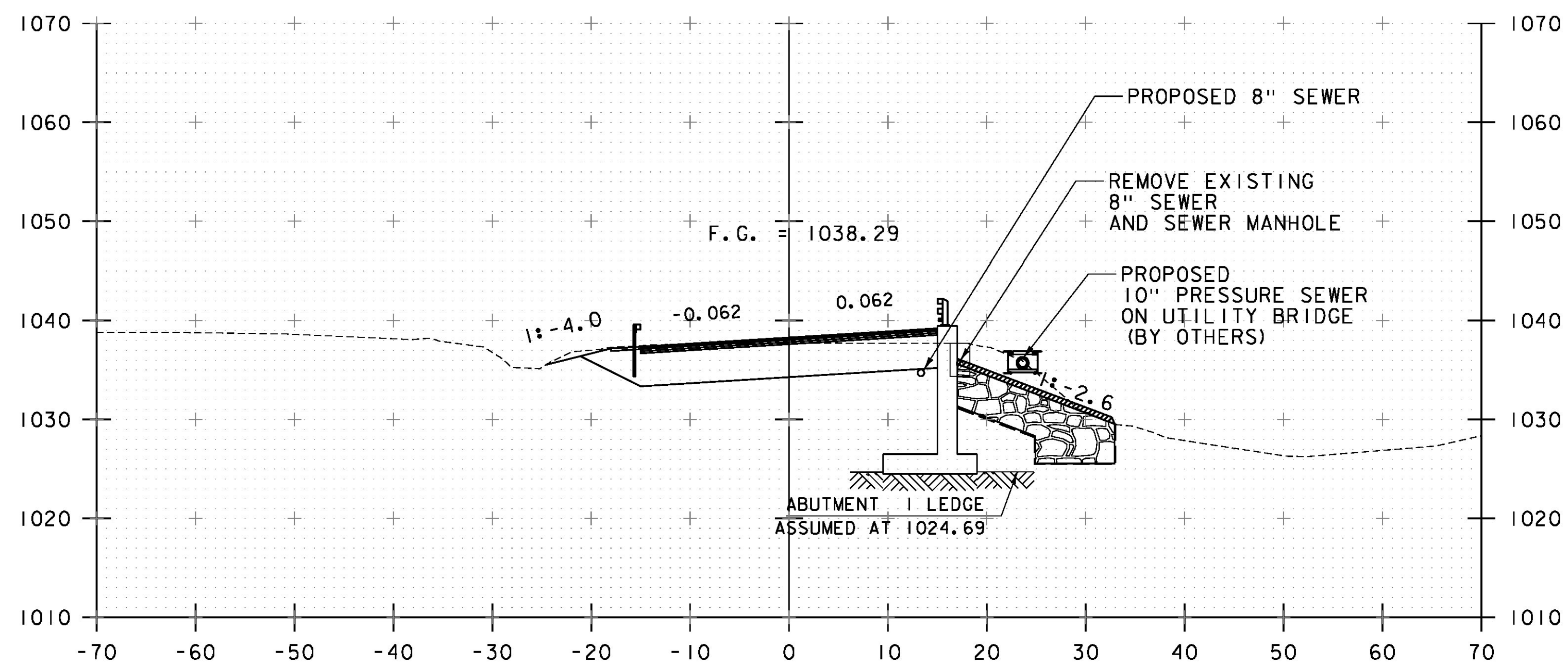
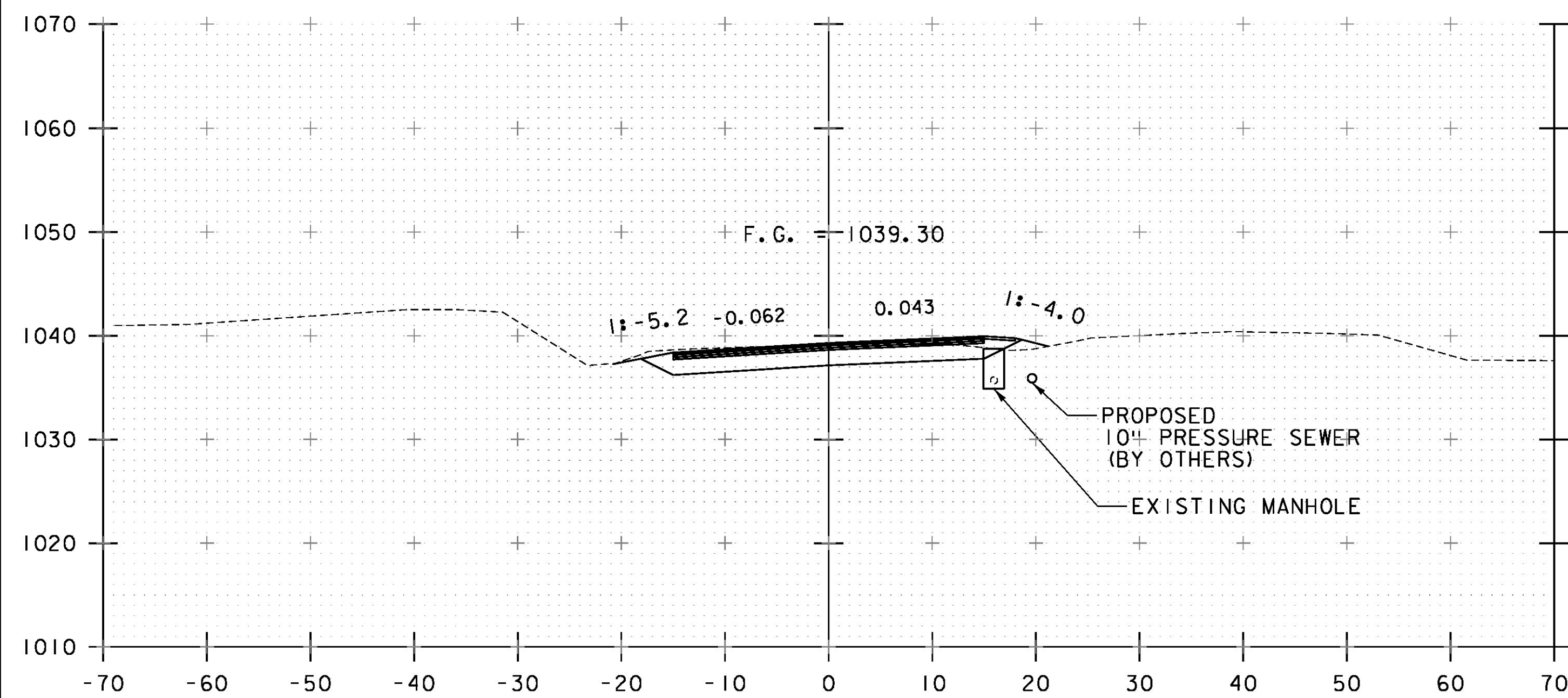


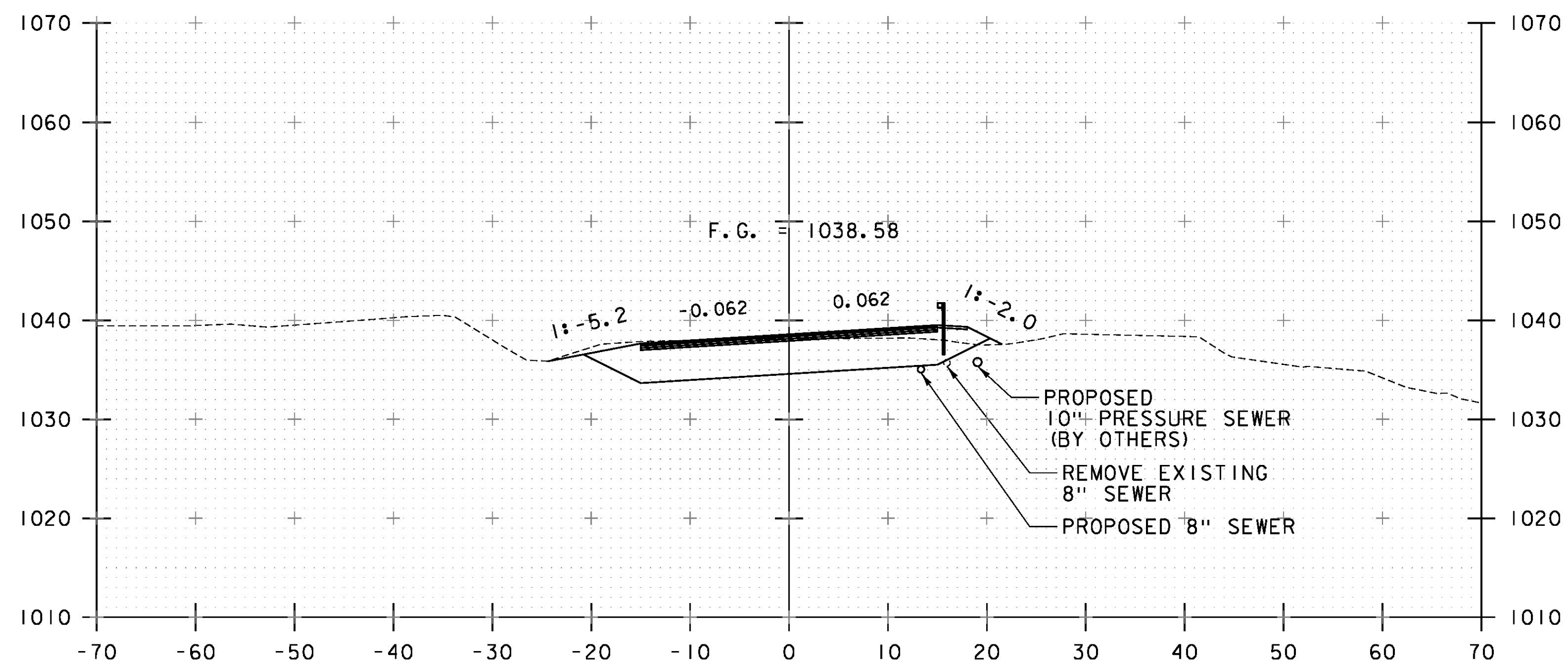
167+25



167+75

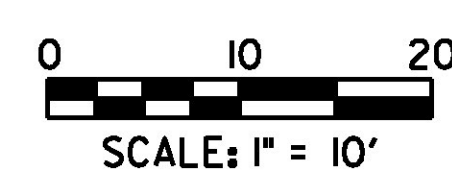


167+00



167+50
167+45.83
BEGIN PROJECT

STA. 167+00 TO STA. 167+75



PROJECT NAME:	JAY	PLOT DATE:	8/16/2016
PROJECT NUMBER:	BHF 0278(3)	DRAWN BY:	I. MAYNARD
FILE NAME:	z12ci54xsl.dgn	CHECKED BY:	G. SANTY
PROJECT LEADER:	M. CHENETTE		
DESIGNED BY:	I. MAYNARD		
ROADWAY CROSS SECTIONS - RXS 2		SHEET	44 OF 72