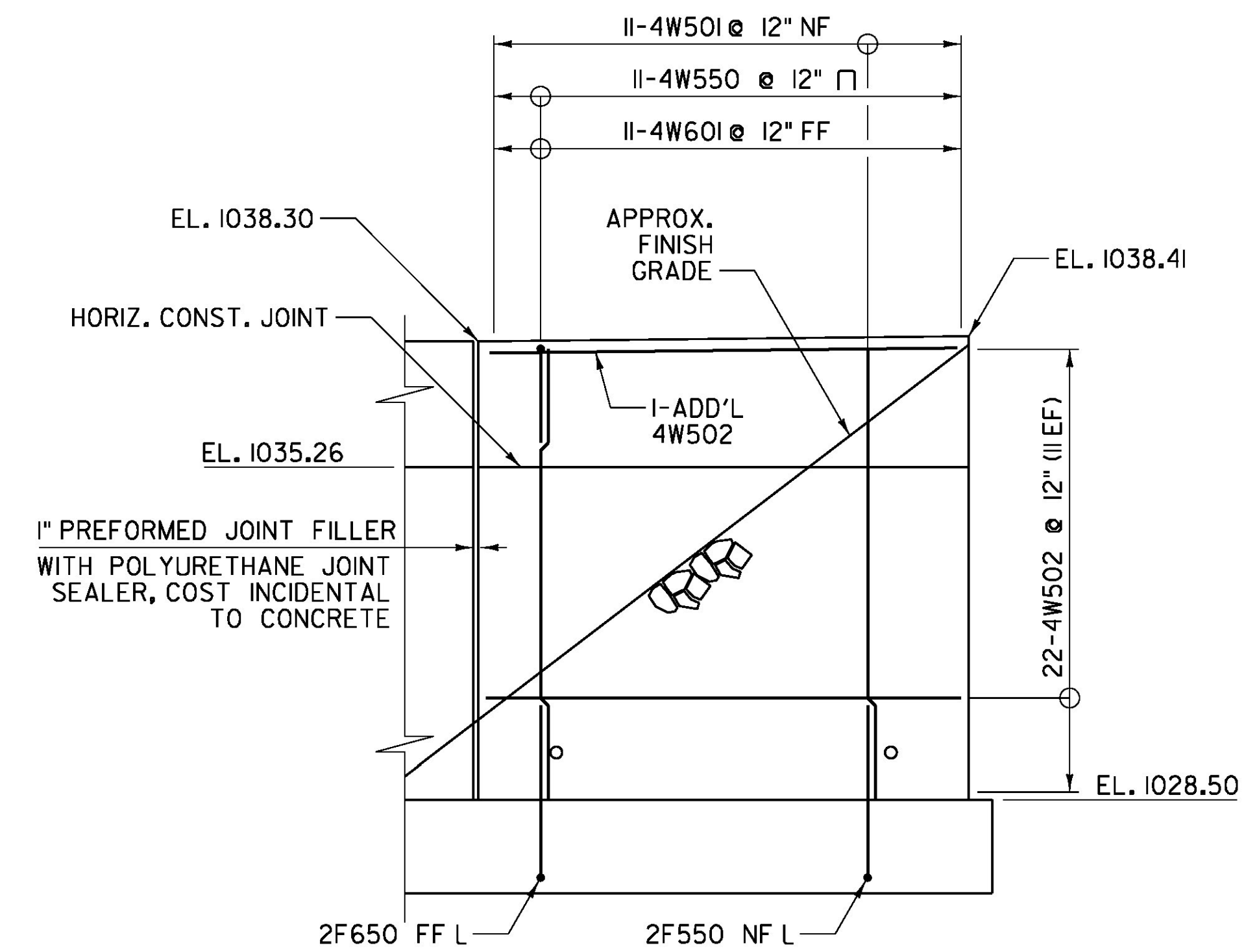


WINGWALL 3 REINFORCEMENT
SCALE: $\frac{3}{8}$ " = 1'-0"



WINGWALL 4 REINFORCEMENT
SCALE: $\frac{3}{8}$ " = 1'-0"

LEGEND:
NF = NEAR FACE
FF = FAR FACE
EF = EACH FACE
▲ = CUT TO FIT IN FIELD

NOTE:
1. FOR WINGWALL 3 CORNER REINFORCEMENT DETAILS REFER TO SHEET 38.

ALL SPLICES 2'-0" UNLESS NOTED OTHERWISE.

PROJECT NAME: JAY
PROJECT NUMBER: BHF 0278(3)

FILE NAME: z12ci54abuts.dgn
PROJECT LEADER: M. CHENETTE
DESIGNED BY: N. TIRK
ABUTMENT NO. 2 WINGWALL DETAILS

PLOT DATE: 8/16/2016
DRAWN BY: J. SOTER
CHECKED BY: T. KNIGHT
SHEET 39 OF 72

