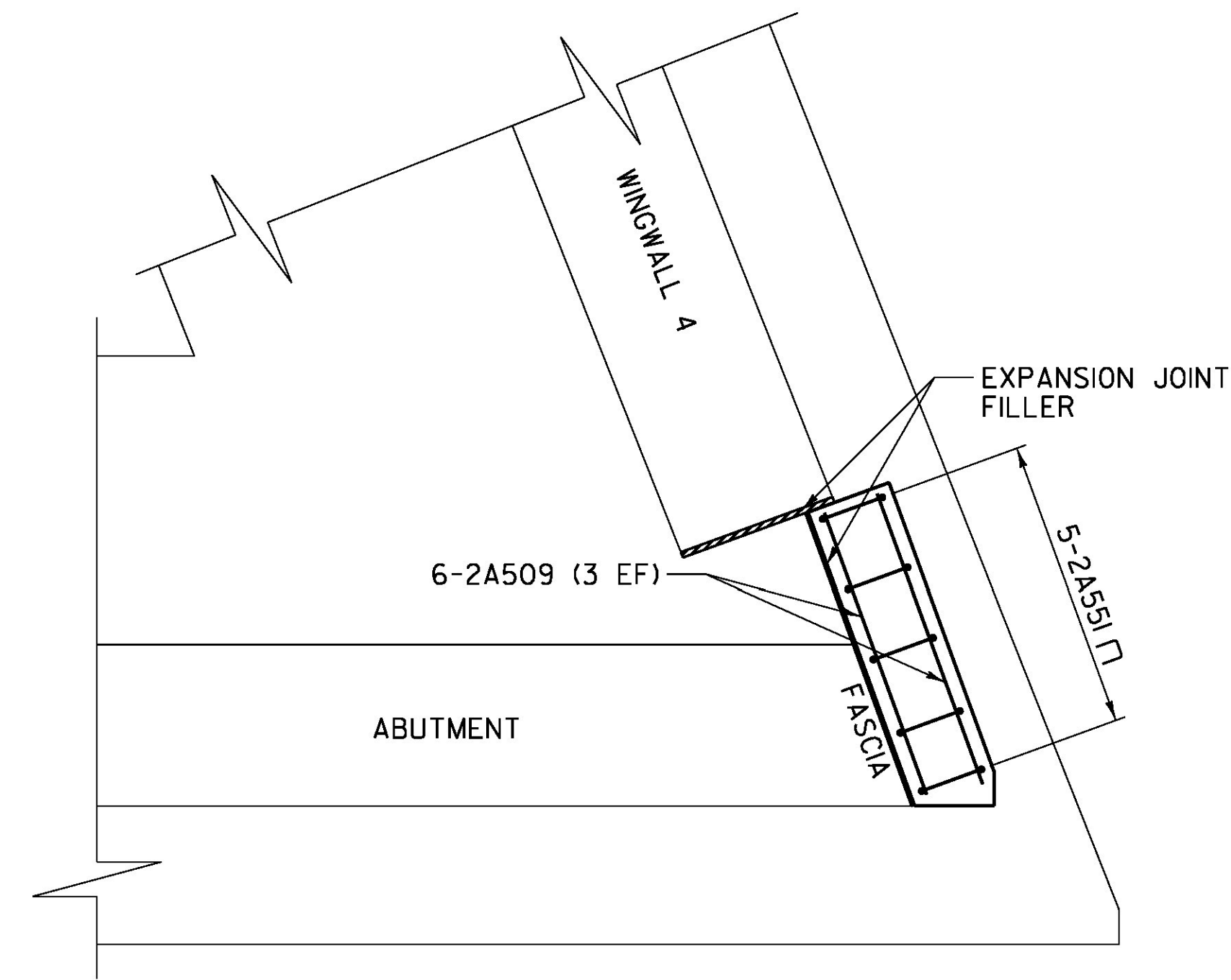
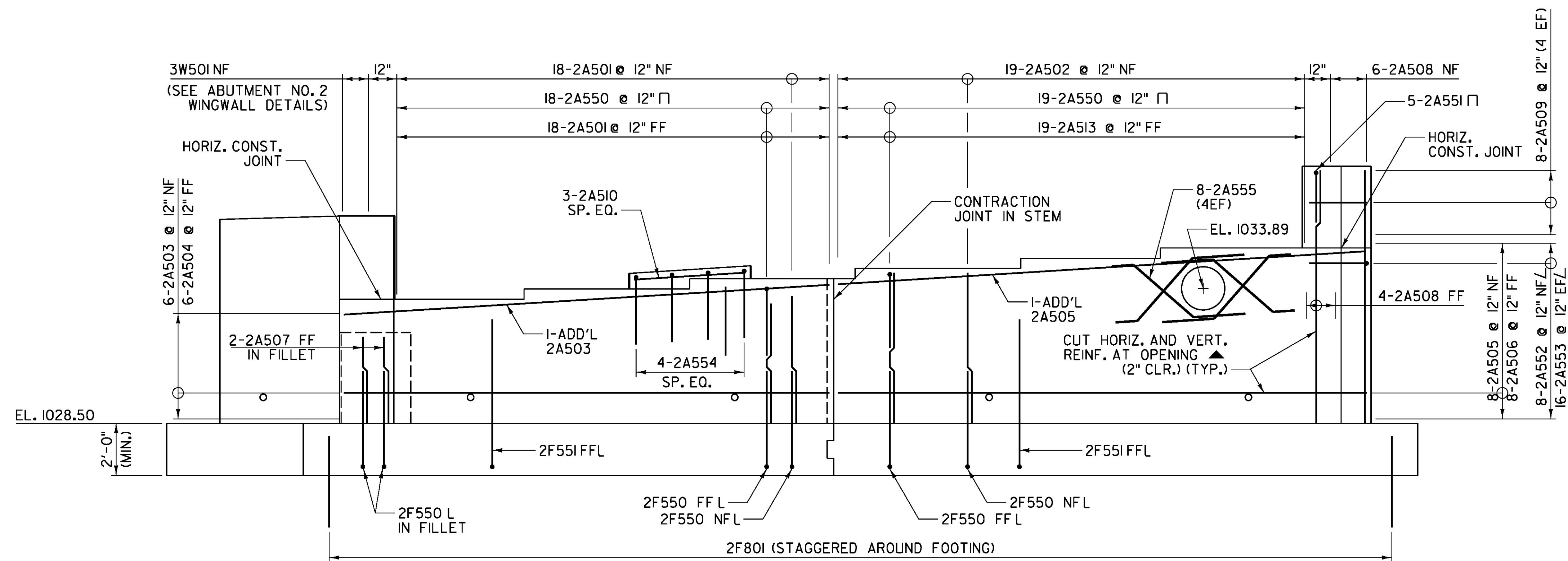


NORTHWEST CORNER REINFORCEMENT
(BELOW BEAM SEAT)
SCALE: 1/2" = 1'-0"



NORTHWEST CORNER REINFORCEMENT
(ABOVE BEAM SEAT)
SCALE: 1/2" = 1'-0"



ABUTMENT NO. 2 REINFORCEMENT ELEVATION
SCALE: 3/8" = 1'-0"

LEGEND:
NF = NEAR FACE
FF = FAR FACE
EF = EACH FACE
▲ = CUT TO FIT IN FIELD

NOTES:

1. FOR TYPICAL KEEPER BLOCK
DETAIL SEE SHEET 31.

ALL SPLICES 2'-0" UNLESS
NOTED OTHERWISE.

PROJECT NAME: JAY
PROJECT NUMBER: BHF 0278(3)

FILE NAME: z12ci54abuts.dgn PLOT DATE: 8/16/2016
PROJECT LEADER: M. CHENETTE DRAWN BY: J. SOTER
DESIGNED BY: N. TIRK CHECKED BY: T. KNIGHT
ABUTMENT NO. 2 REINFORCEMENT ELEVATION SHEET 37 OF 72

