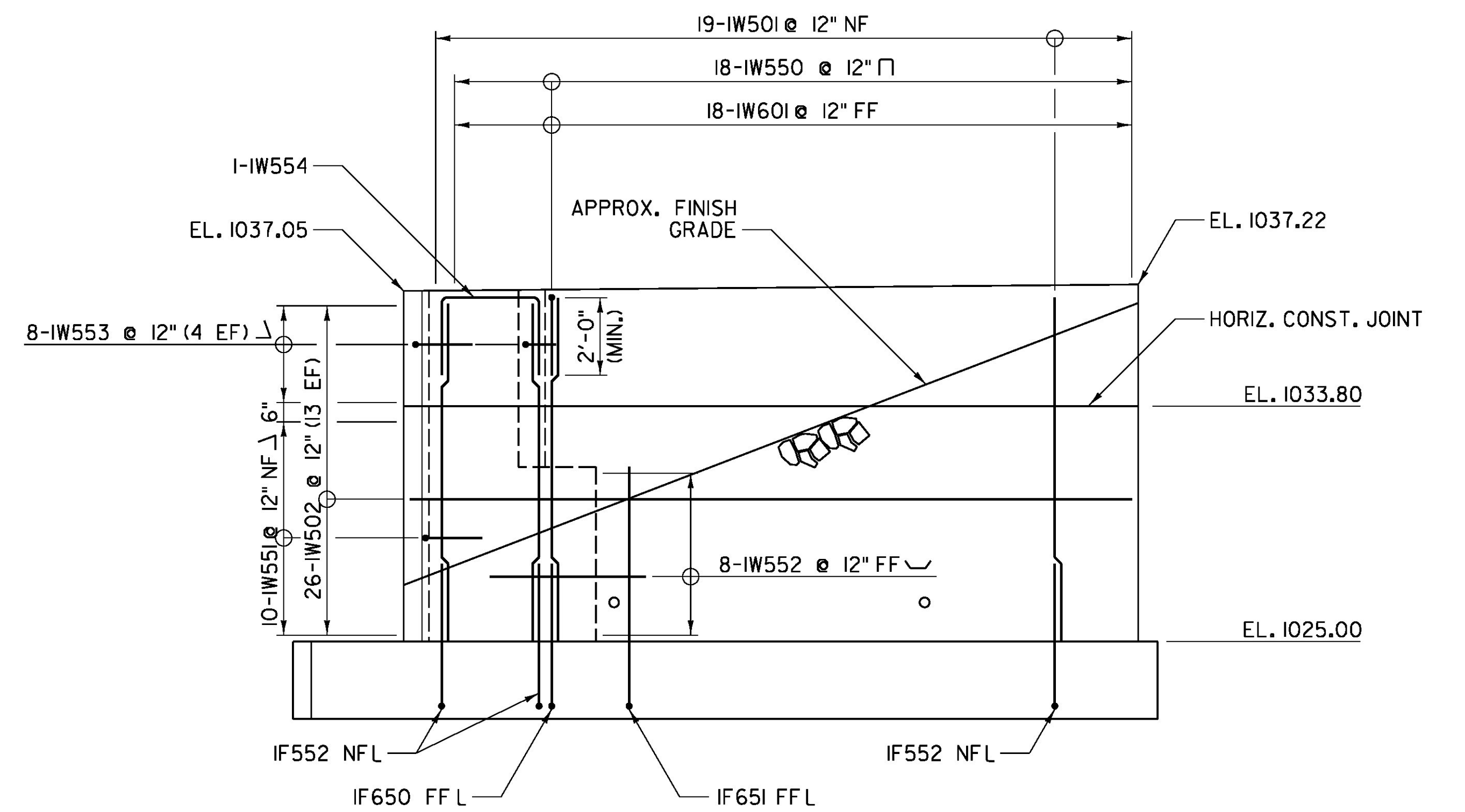


WINGWALL 2 REINFORCEMENT
SCALE: 3/8" = 1'-0"



WINGWALL 1 REINFORCEMENT
SCALE: 3/8" = 1'-0"

LEGEND:
NF = NEAR FACE
FF = FAR FACE
EF = EACH FACE
▲ = CUT TO FIT IN FIELD

ALL SPLICES 2'-0" UNLESS NOTED OTHERWISE.

| | |
|---------------------------------|-----------------------|
| PROJECT NAME: JAY | PLOT DATE: 8/16/2016 |
| PROJECT NUMBER: BHF 0278(3) | DRAWN BY: J. SOTER |
| FILE NAME: z12ci54abuts.dgn | CHECKED BY: T. KNIGHT |
| PROJECT LEADER: M. CHENETTE | SHEET 33 OF 72 |
| DESIGNED BY: N. TIRK | |
| ABUTMENT NO. 1 WINGWALL DETAILS | |

