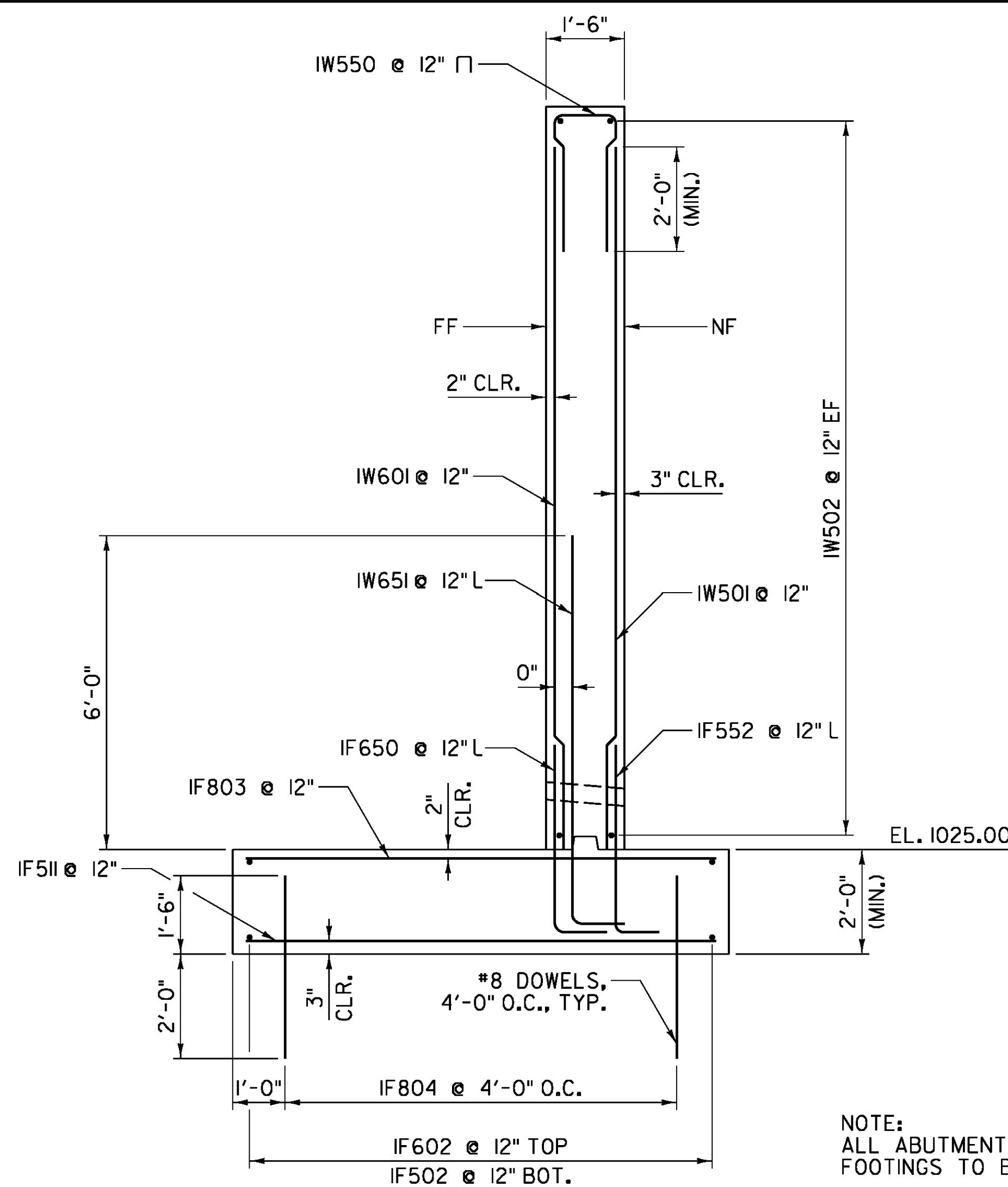
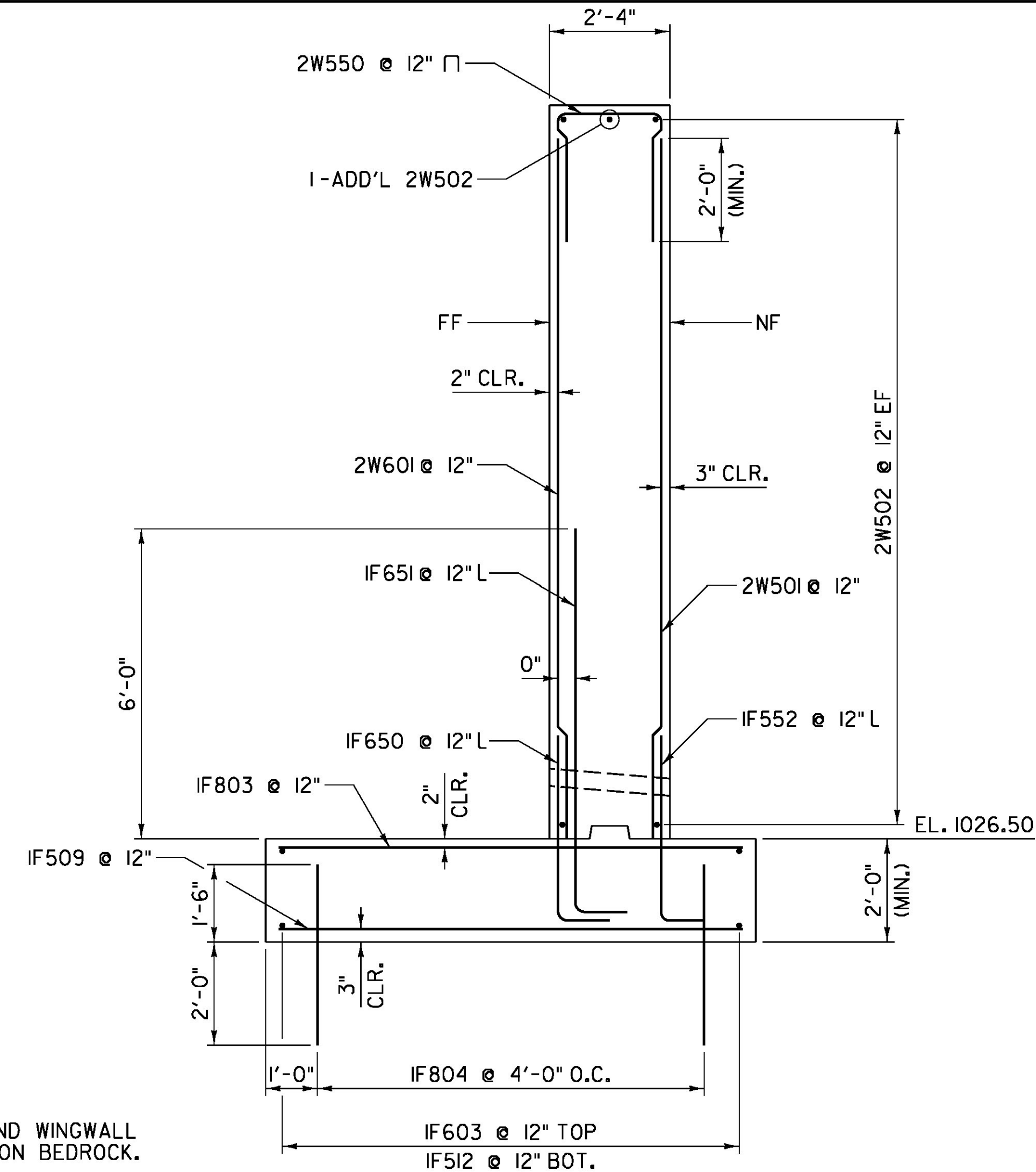


ABUTMENT NO. 1 REINFORCEMENT
SCALE: 1/2" = 1'-0"

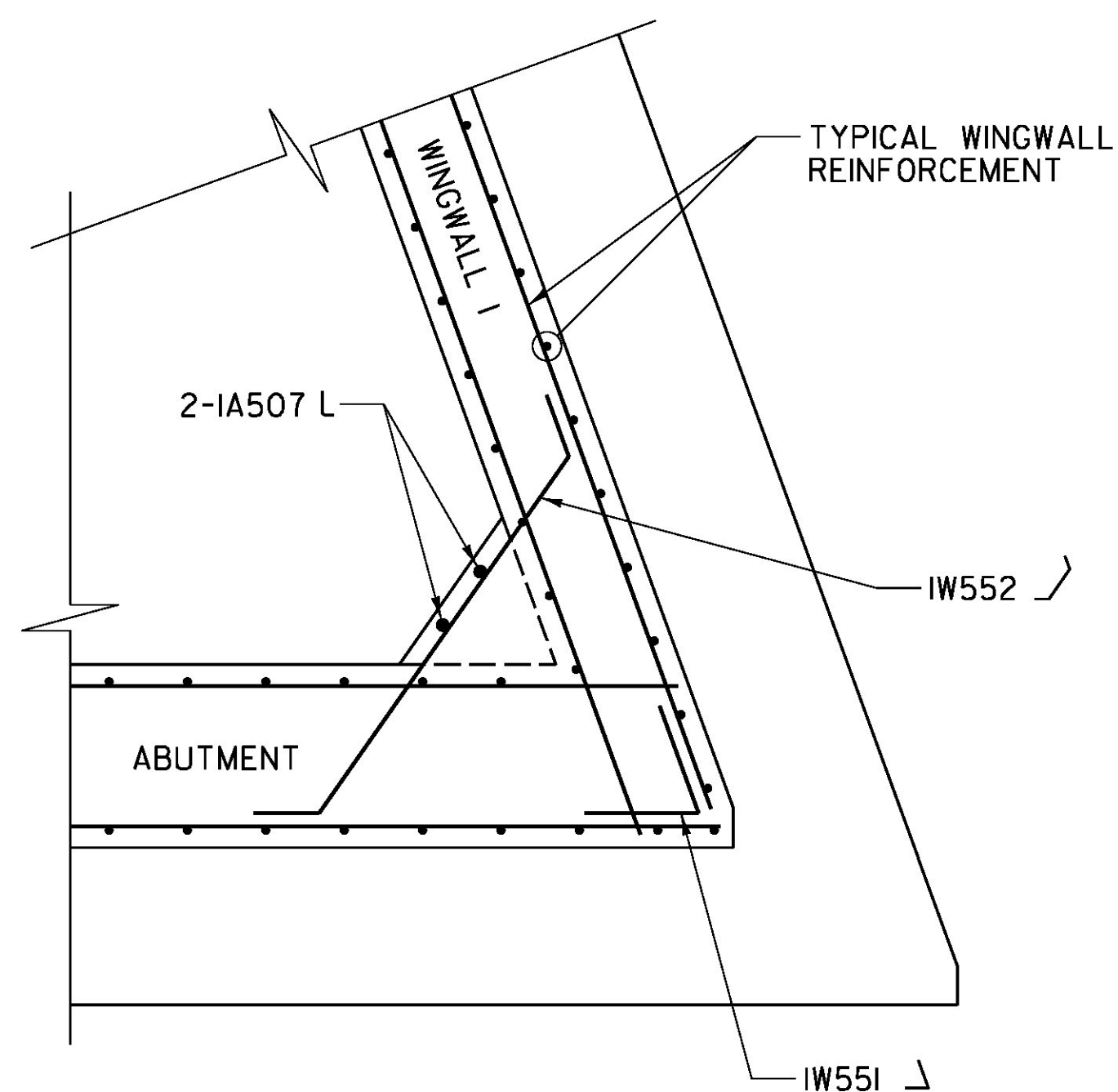


WINGWALL 1 REINFORCEMENT
SCALE: 1/2" = 1'-0"

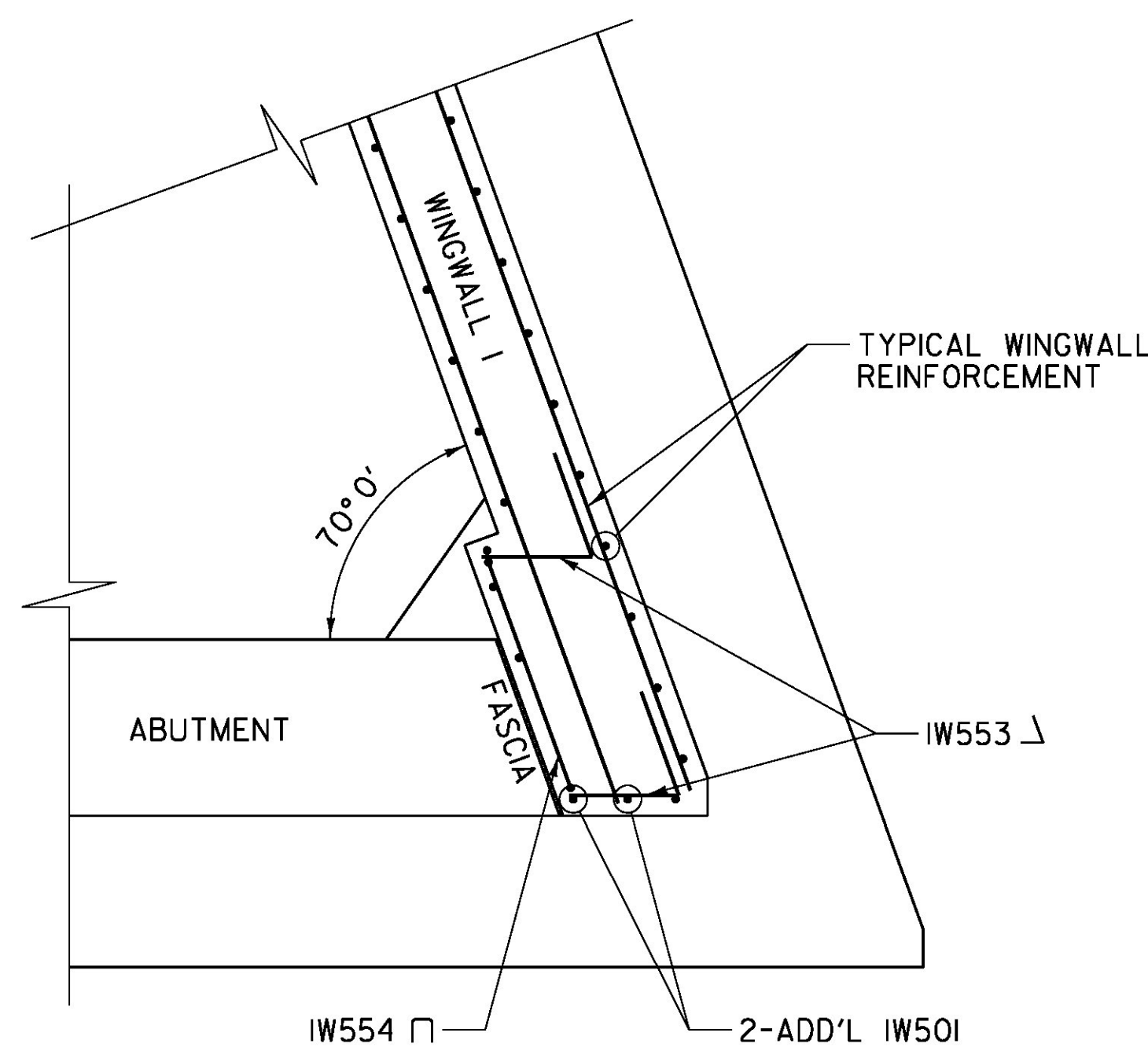


WINGWALL 2 REINFORCEMENT
SCALE: 1/2" = 1'-0"

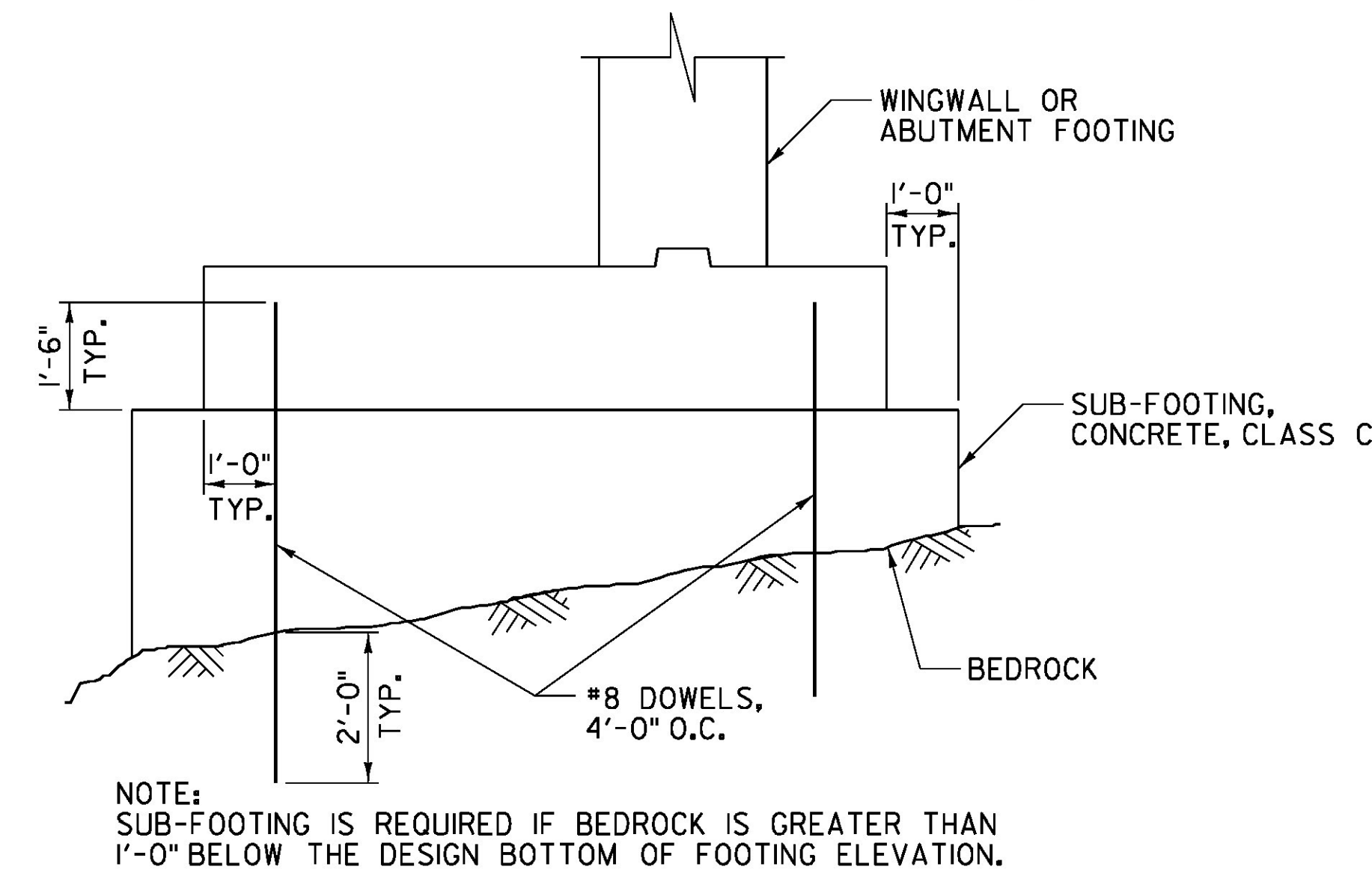
NOTE:
ALL ABUTMENT AND WINGWALL
FOOTINGS TO BE ON BEDROCK.



**WINGWALL 1 CORNER
REINFORCEMENT (BELOW FILLET)**
SCALE: 1/2" = 1'-0"



**WINGWALL 1 CORNER
REINFORCEMENT (ABOVE FILLET)**
SCALE: 1/2" = 1'-0"



NOTE:
SUB-FOOTING IS REQUIRED IF BEDROCK IS GREATER THAN
1'-0" BELOW THE DESIGN BOTTOM OF FOOTING ELEVATION.

DETAIL TYPICAL SUB-FOOTING
NOT TO SCALE

LEGEND:
NF = NEAR FACE
FF = FAR FACE
EF = EACH FACE
▲ = CUT TO FIT IN FIELD
ALL SPLICES 2'-0" UNLESS
NOTED OTHERWISE.



PROJECT NAME: JAY
PROJECT NUMBER: BHF 0278(3)

FILE NAME: z12ci54abuts.dgn
PROJECT LEADER: M. CHENETTE
DESIGNED BY: N. TIRK
ABUTMENT NO. 1 REINFORCEMENT SECTIONS

PLOT DATE: 8/16/2016
DRAWN BY: J. SOTER
CHECKED BY: T. KNIGHT
SHEET 32 OF 72