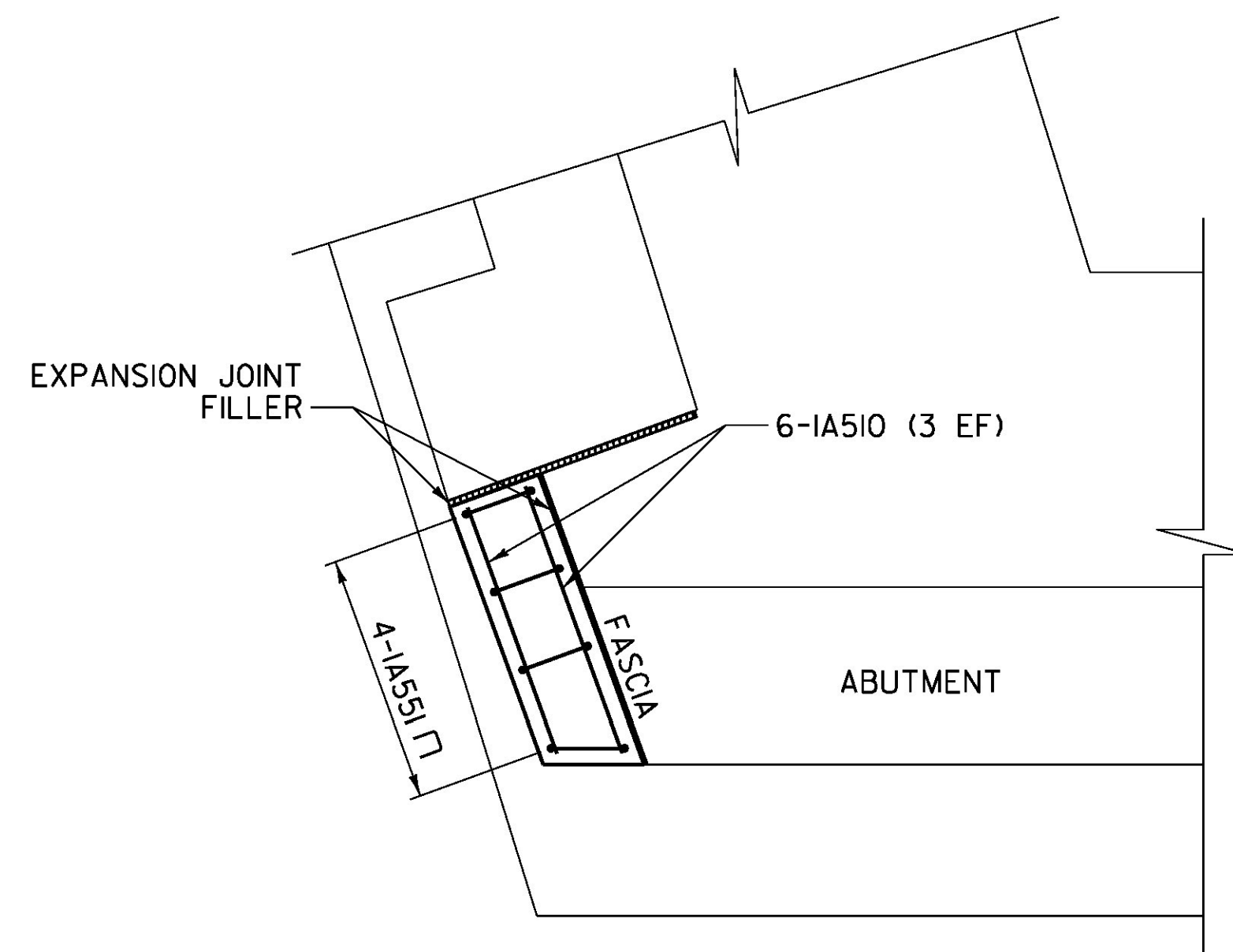
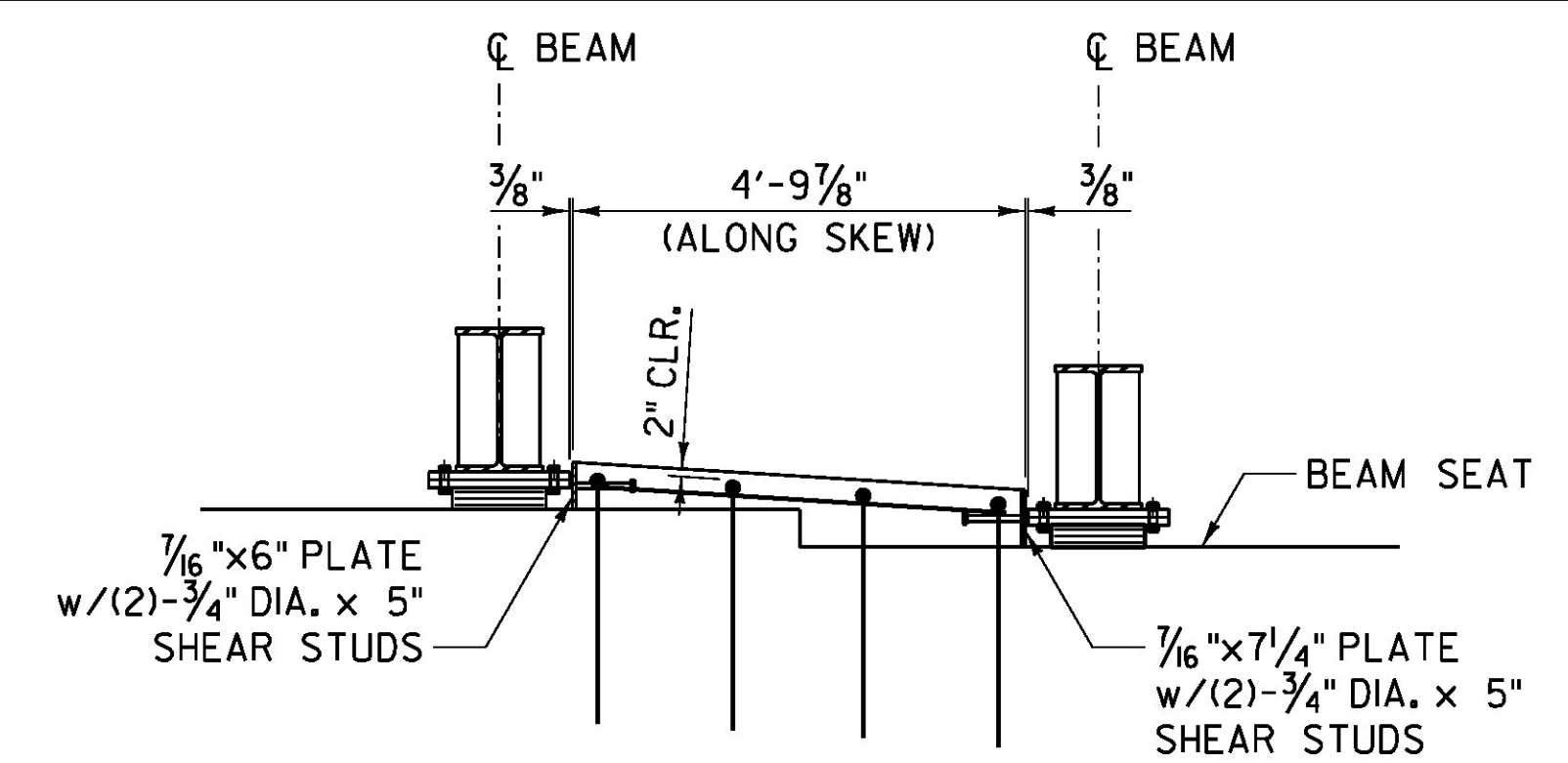


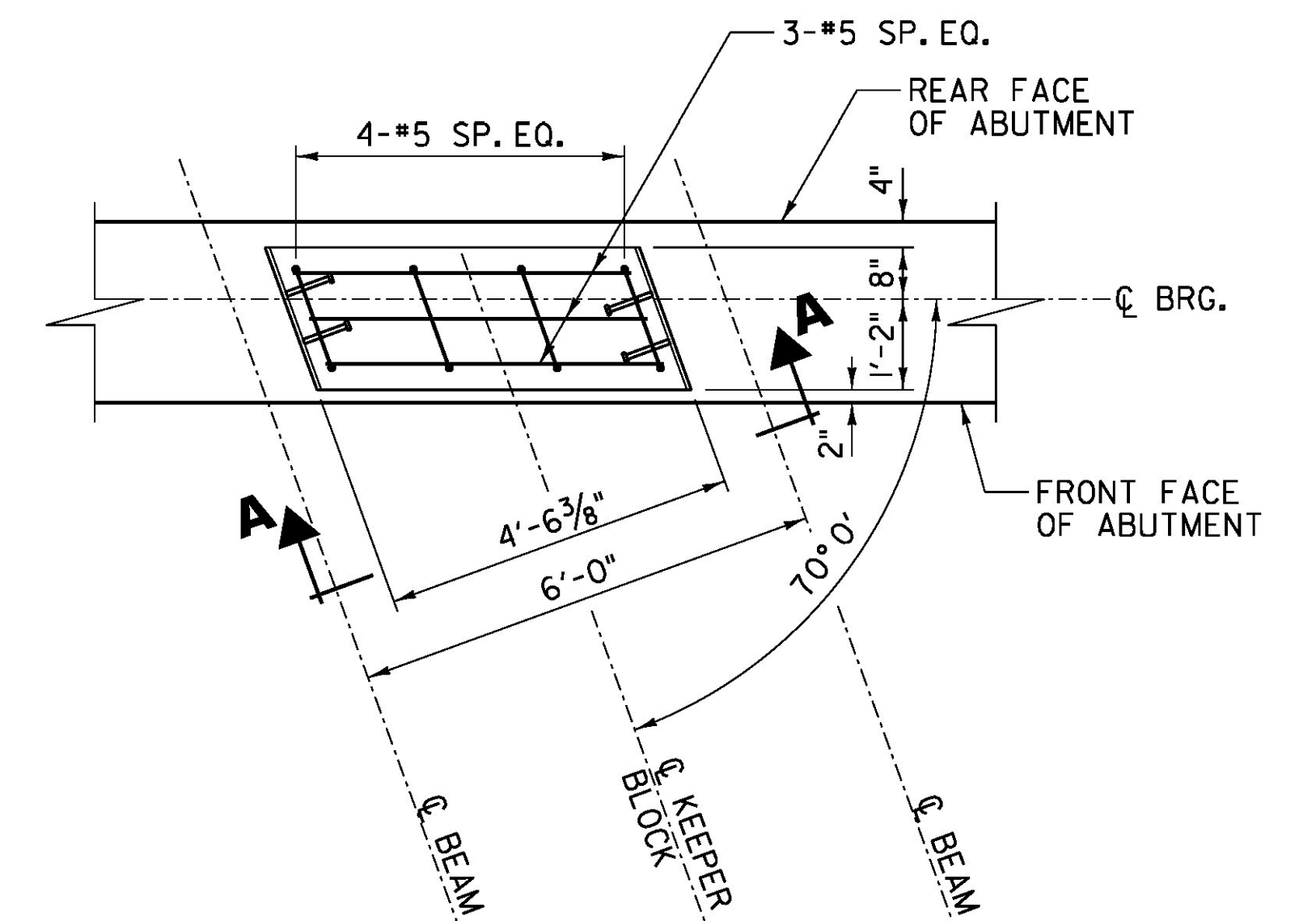
**SOUTHEAST CORNER REINFORCEMENT  
(BELOW BEAM SEAT)**  
SCALE: 1/2" = 1'-0"



**SOUTHEAST CORNER REINFORCEMENT  
(ABOVE BEAM SEAT)**  
SCALE: 1/2" = 1'-0"

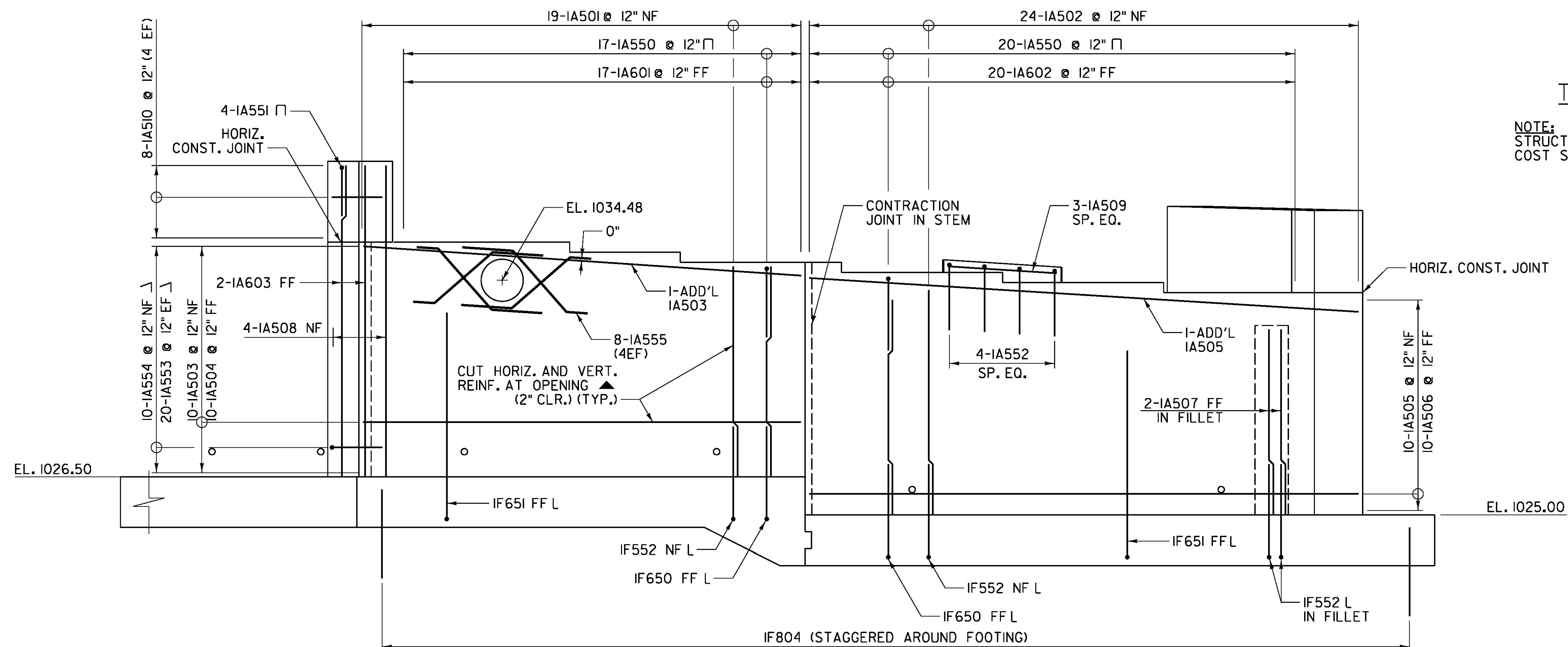


**SECTION A-A**



**TYPICAL KEEPER BLOCK DETAIL**  
SCALE: 1/2" = 1'-0"

**NOTE:**  
STRUCTURAL STEEL PLATES ARE TO BE GRADE 36 AND GALVANIZED.  
COST SHALL BE CONSIDERED INCIDENTAL TO THE CONCRETE.



**ABUTMENT NO. 1 REINFORCEMENT ELEVATION**  
SCALE: 3/8" = 1'-0"

**LEGEND:**  
NF = NEAR FACE  
FF = FAR FACE  
EF = EACH FACE  
▲ = CUT TO FIT IN FIELD  
  
ALL SPLICES 2'-0" UNLESS NOTED OTHERWISE.

PROJECT NAME: JAY  
PROJECT NUMBER: BHF 0278(3)

FILE NAME: z12ci54abuts.dgn  
PROJECT LEADER: M. CHENETTE  
DESIGNED BY: N. TIRK  
ABUTMENT NO. 1 REINFORCEMENT ELEVATION

PLOT DATE: 8/16/2016  
DRAWN BY: J. SOTER  
CHECKED BY: T. KNIGHT  
SHEET 31 OF 72

