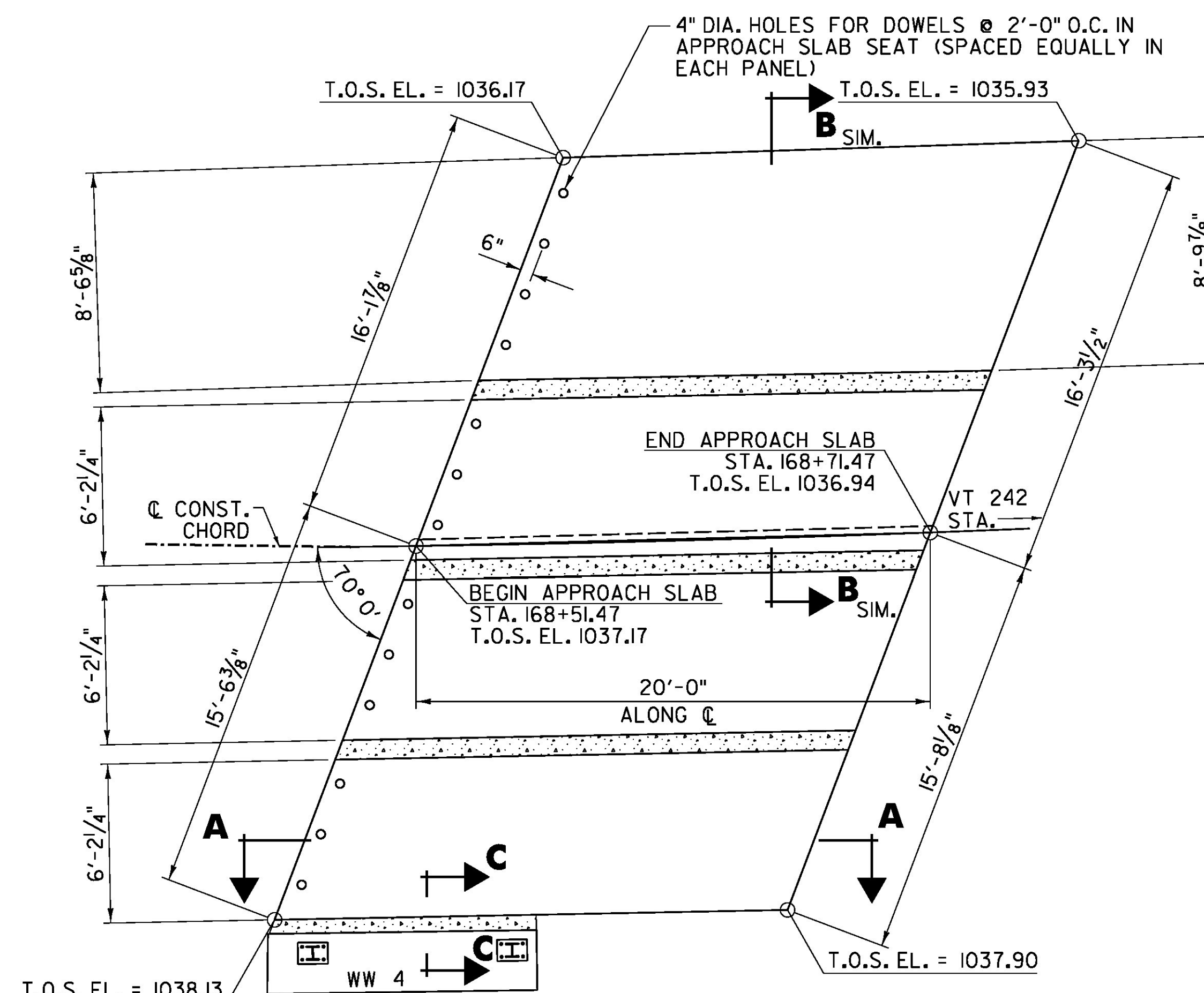
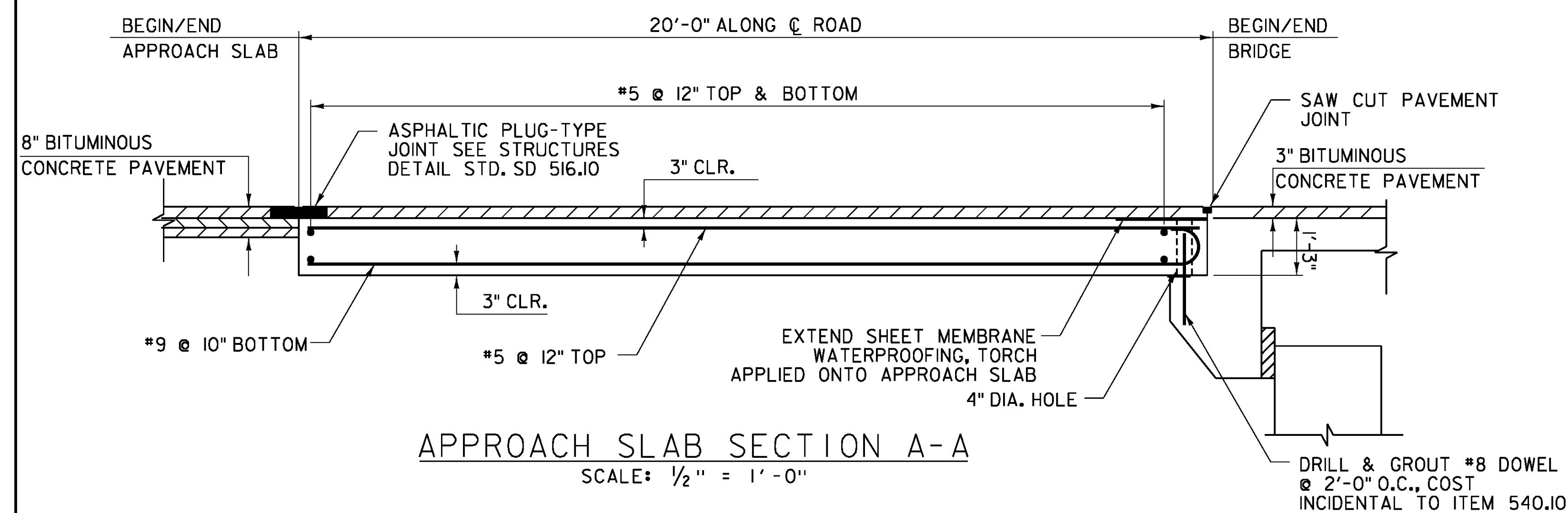


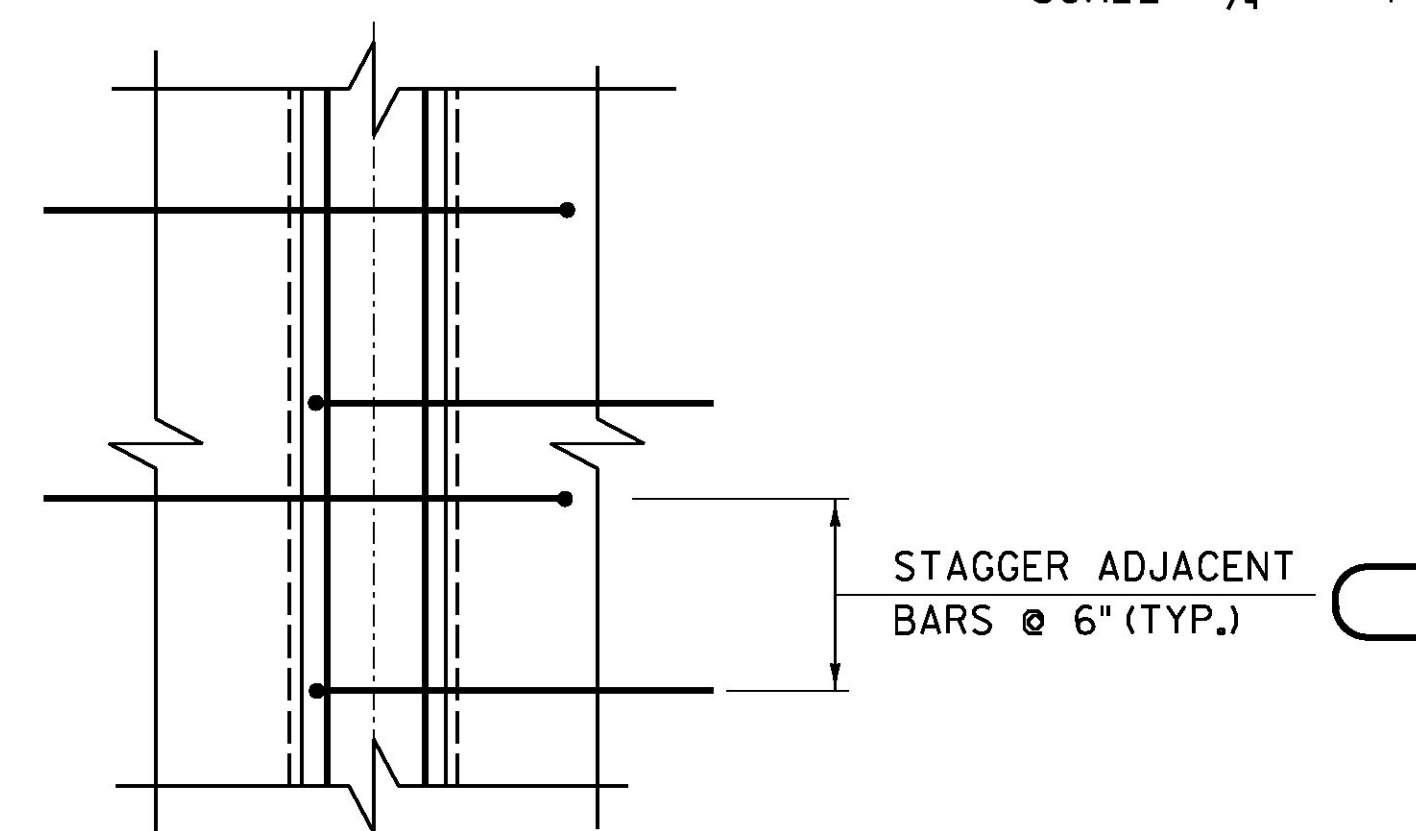
APPROACH SLAB NO. 1 PLAN
SCALE: 1/4" = 1'-0"



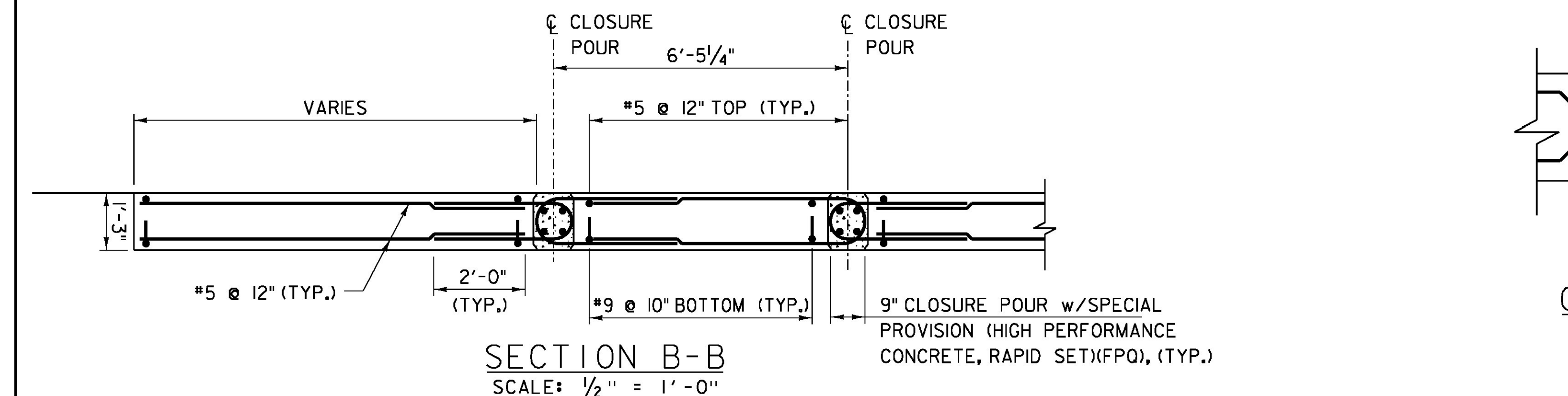
APPROACH SLAB NO. 2 PLAN
SCALE: 1/4" = 1'-0"



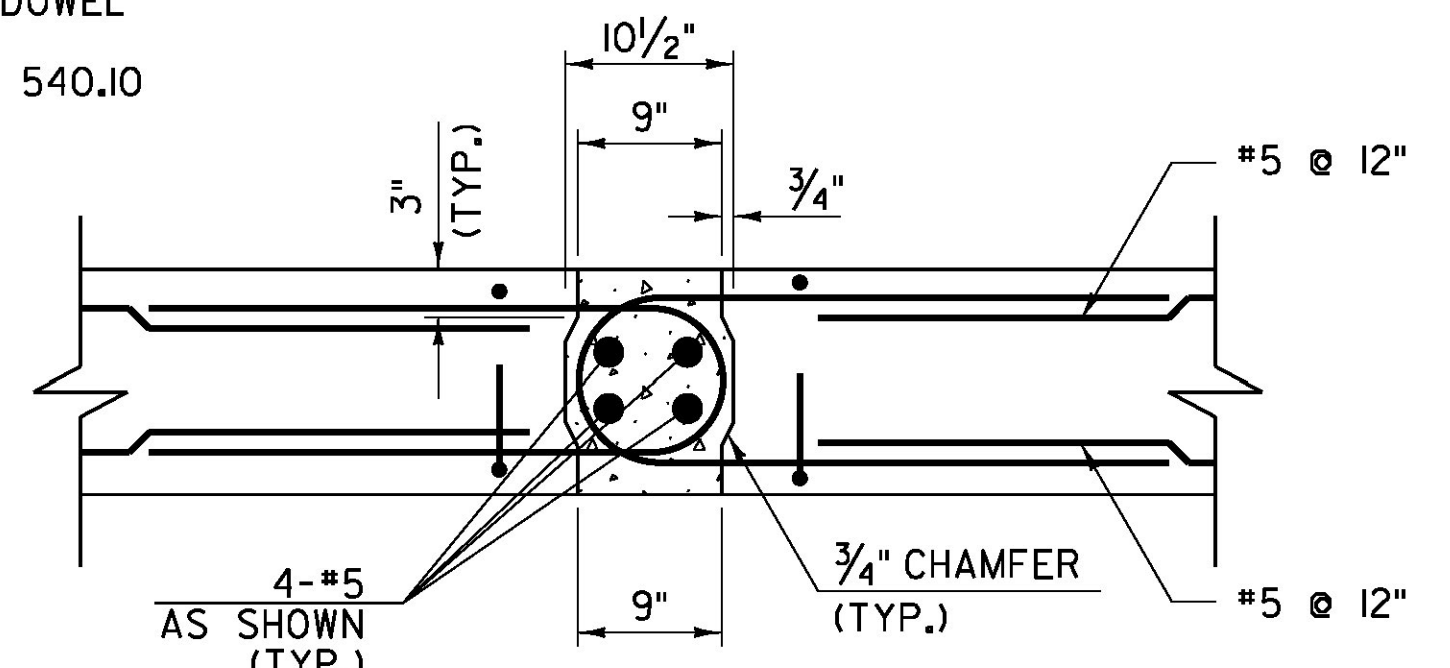
APPROACH SLAB SECTION A-A
SCALE: 1/2" = 1'-0"



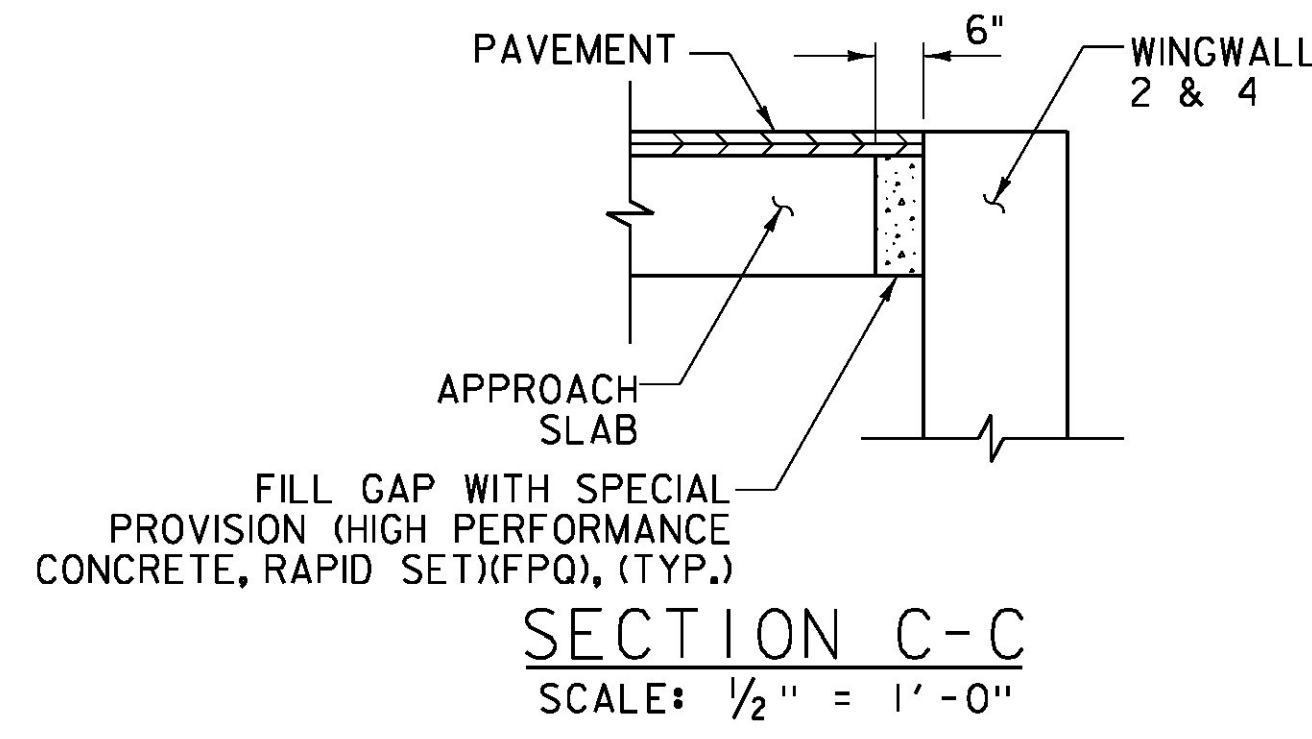
CONNECTION DETAIL PLAN
SCALE: 1" = 1'-0"



SECTION B-B
SCALE: 1/2" = 1'-0"



CONNECTION DETAIL SECTION
SCALE: 1" = 1'-0"



SECTION C-C
SCALE: 1/2" = 1'-0"

PROJECT NAME:	JAY	PLOT DATE:	8/16/2016
PROJECT NUMBER:	BHF 0278(3)	DRAWN BY:	L. BUXTON
FILE NAME:	z12ci54appslab.dgn	DESIGNED BY:	N. TIRK
PROJECT LEADER:	M. CHENETTE	CHECKED BY:	T. KNIGHT
APPROACH SLAB DETAILS		SHEET	26 OF 72

