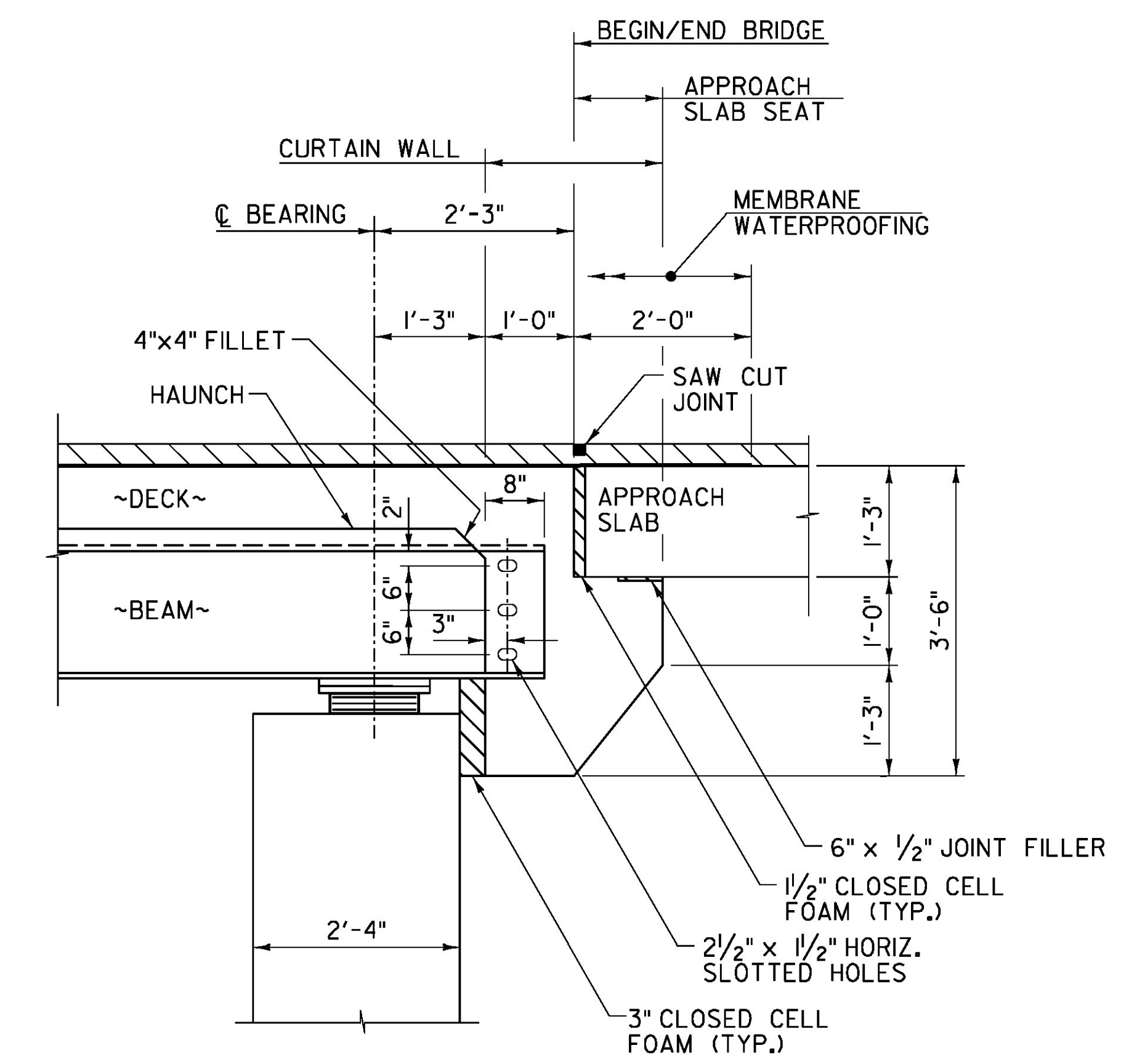
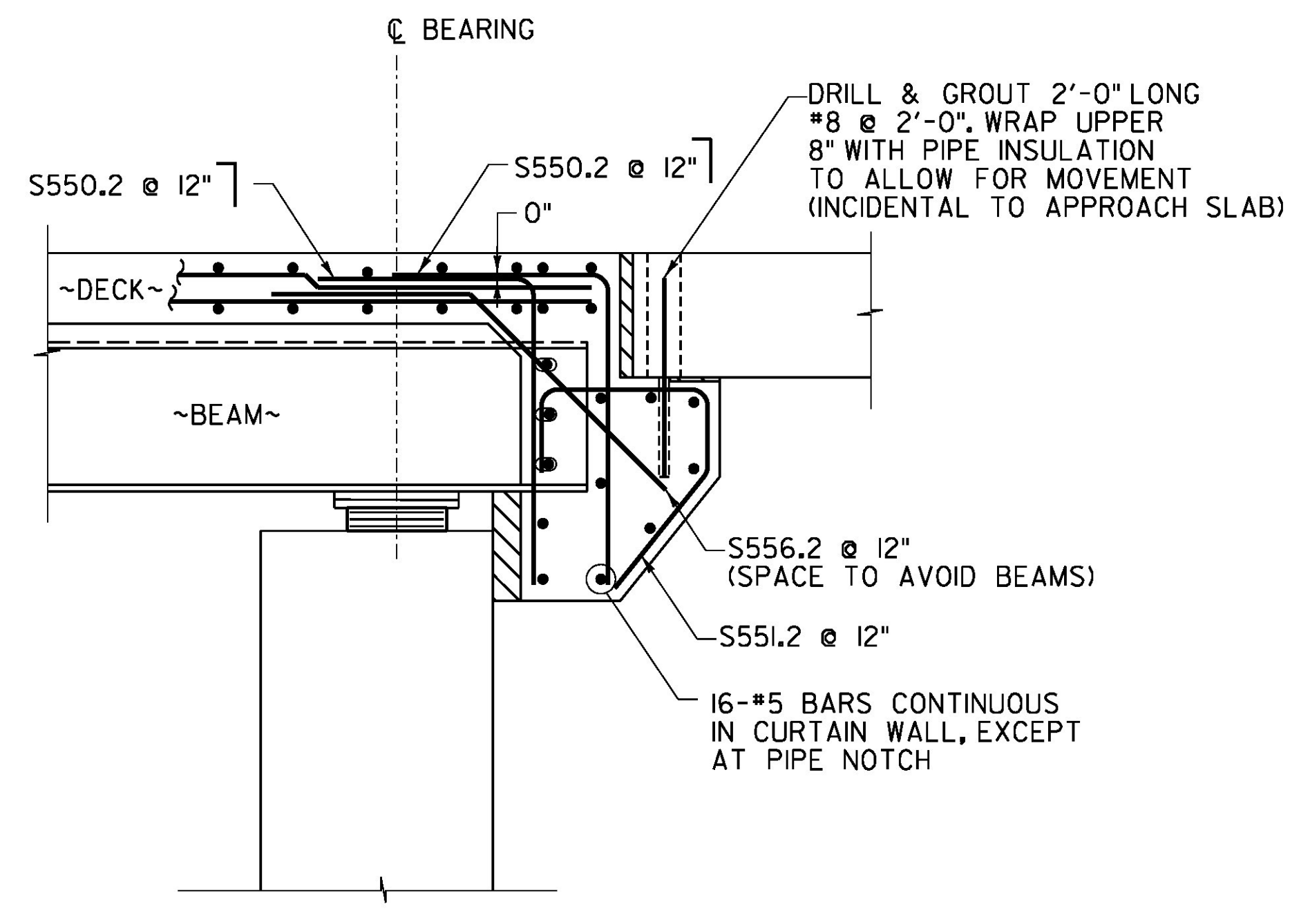


TYPICAL DECK REINFORCEMENT SECTION  
SCALE: 1/2" = 1'-0"

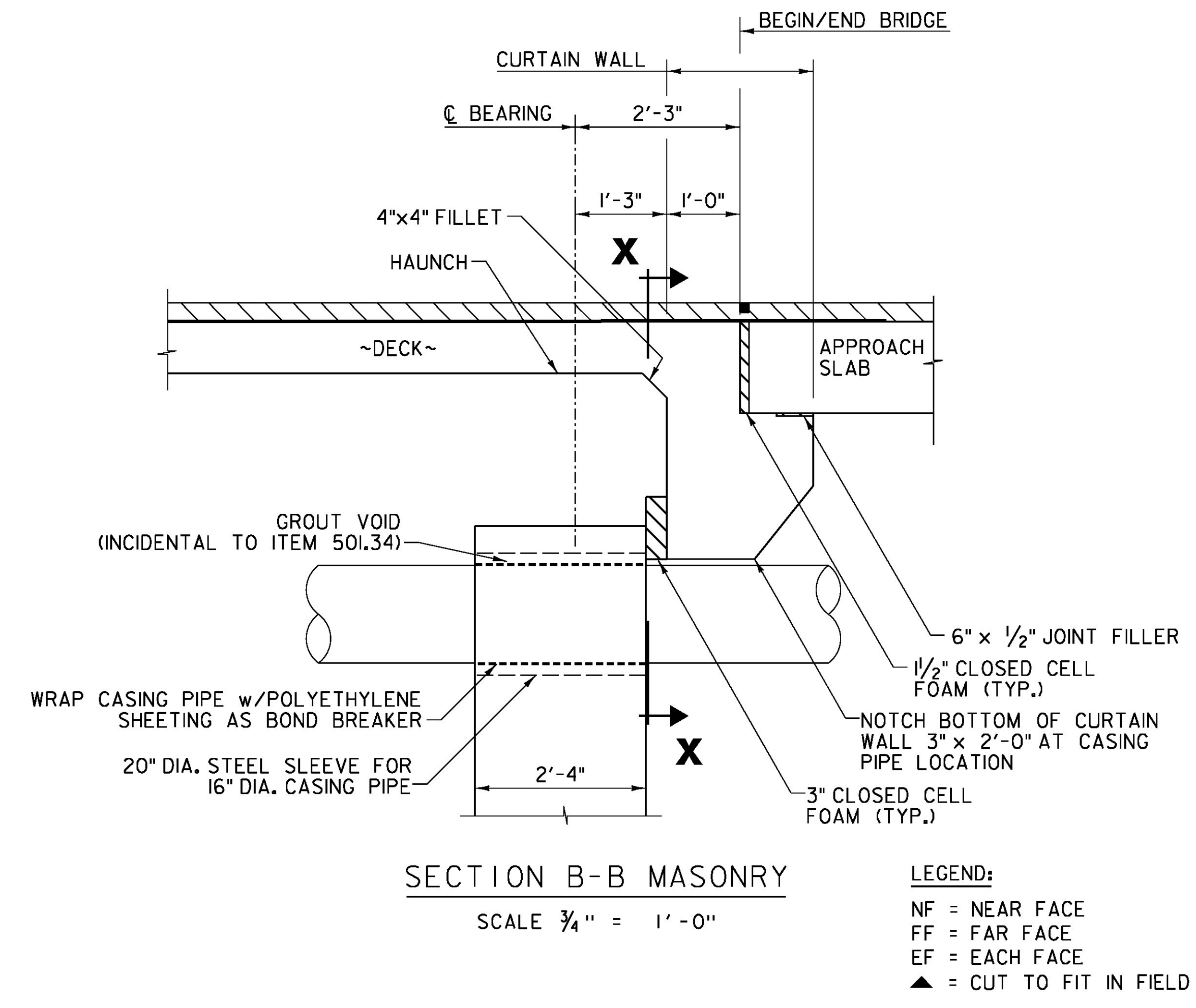
SECTION X-X  
SCALE 3/4" = 1'-0"



SECTION A-A MASONRY  
SCALE 3/4" = 1'-0"



SECTION A-A REINFORCEMENT  
SCALE 3/4" = 1'-0"



SECTION B-B MASONRY  
SCALE 3/4" = 1'-0"

LEGEND:  
NF = NEAR FACE  
FF = FAR FACE  
EF = EACH FACE  
▲ = CUT TO FIT IN FIELD



PROJECT NAME:	JAY	PLOT DATE:	8/16/2016
PROJECT NUMBER:	BHF 0278(3)	DRAWN BY:	J. SOTER
FILE NAME:	z12ci54deck.pl.dgn	DESIGNED BY:	N. TIRK
PROJECT LEADER:	M. CHENETTE	CHECKED BY:	G. BOGUE
TYPICAL REINFORCEMENT SECTIONS			SHEET 25 OF 72