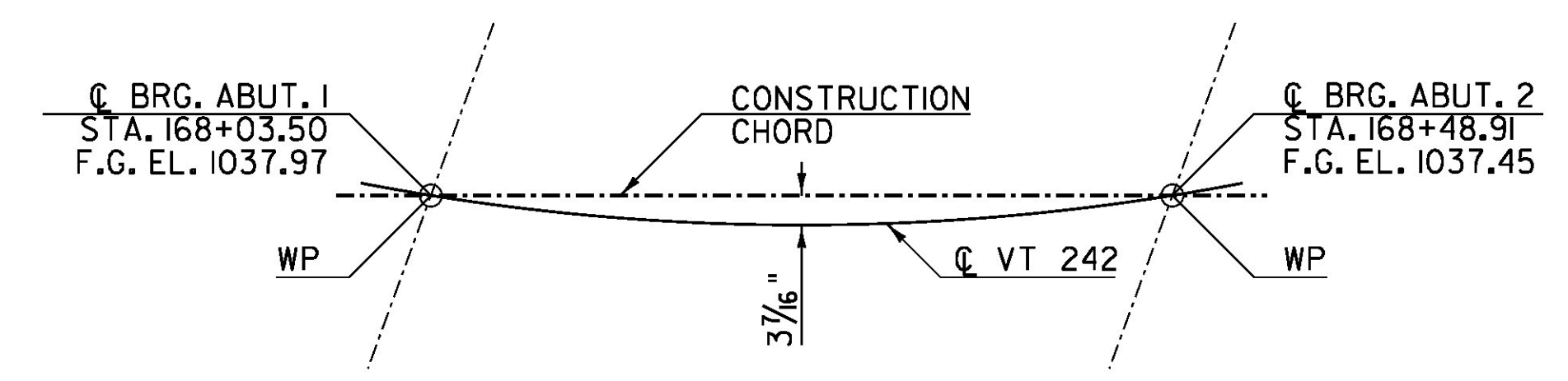
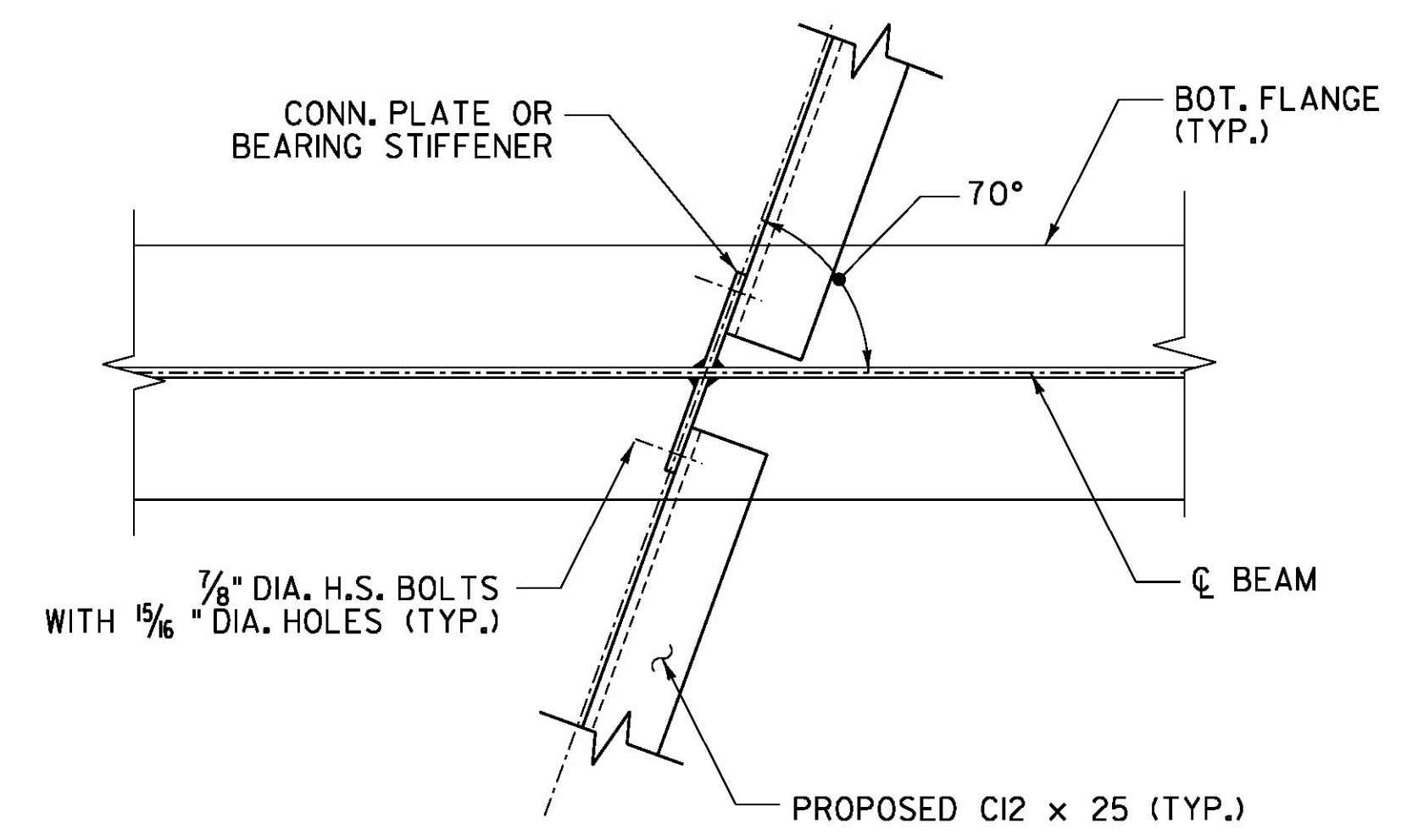


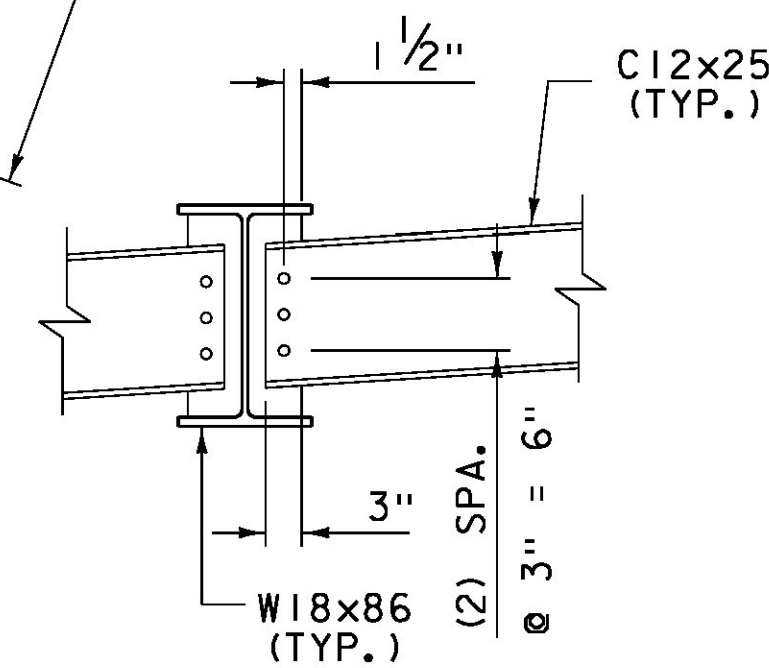
FRAMING PLAN
SCALE: 1/4" = 1'-0"



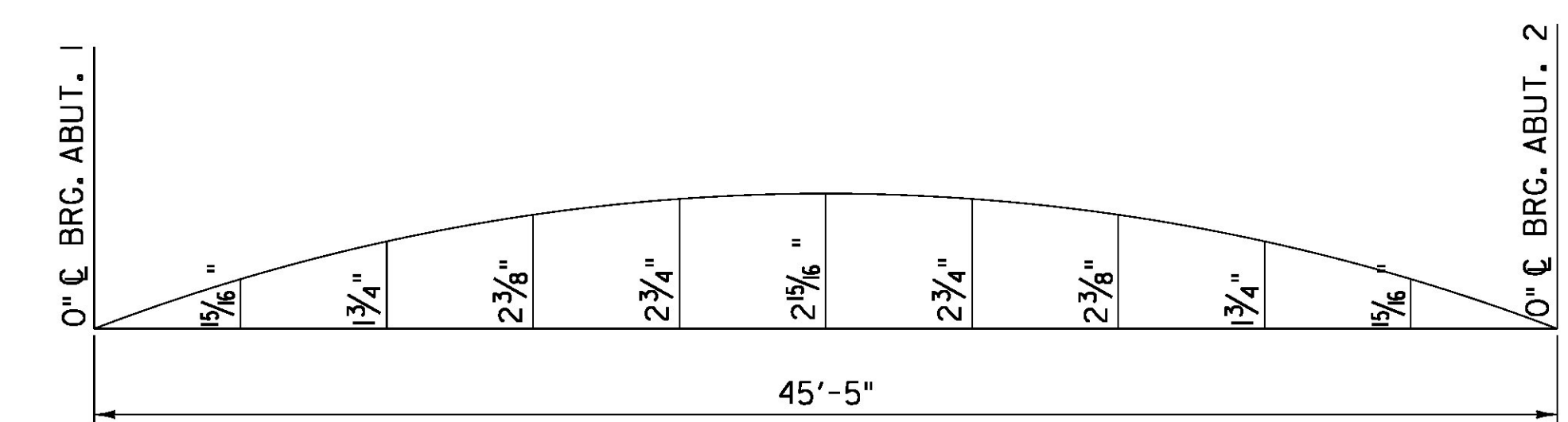
CONSTRUCTION CHORD LAYOUT
NOT TO SCALE



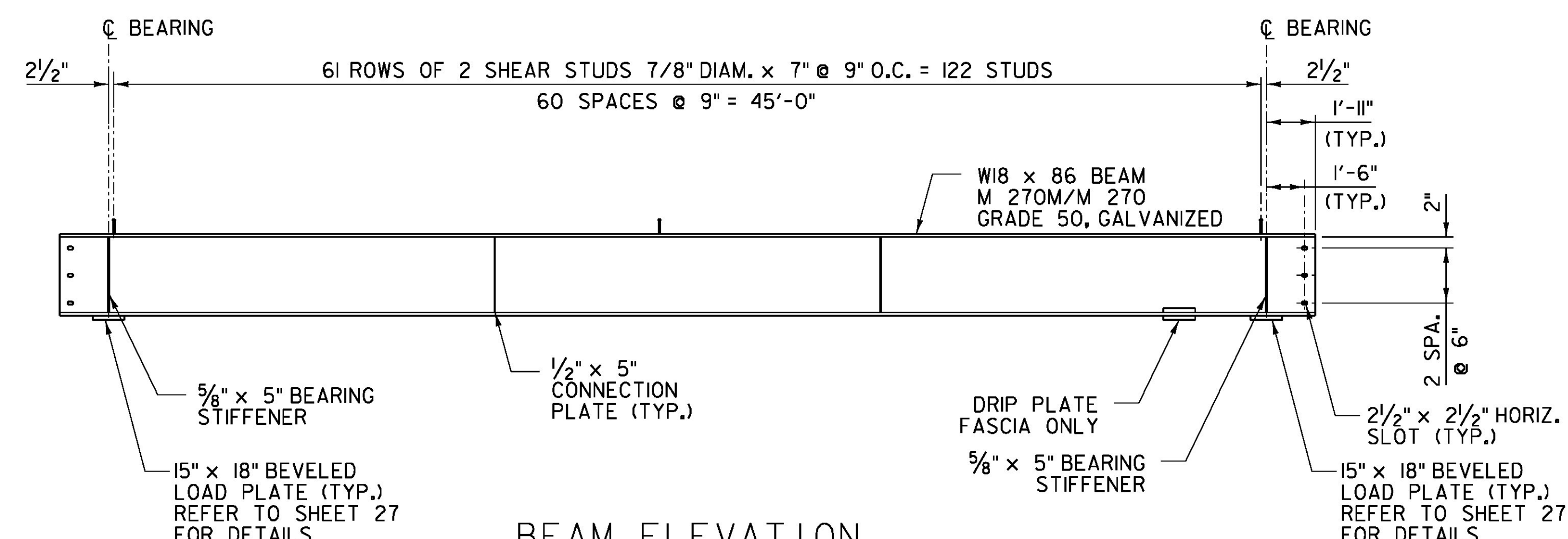
DETAIL A
NOT TO SCALE



DIAPHRAGM DETAIL
SCALE 3/4" = 1'-0"



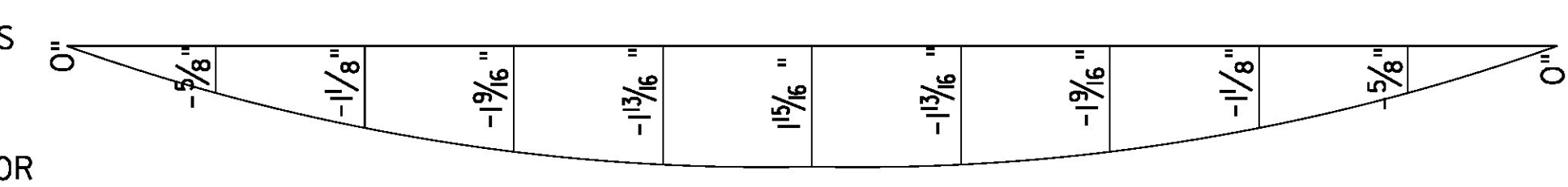
CAMBER DIAGRAM
SCALE 1" = 1'-0"



BEAM ELEVATION
NOT TO SCALE

NOTES:

- CAMBER AND DEAD LOAD MEASUREMENTS ARE GIVEN IN INCHES AT SPAN TENTH POINTS.
- DEAD LOAD DEFLECTIONS SHOWN ARE FOR ALL DEAD LOADS AND SUPERIMPOSED DEAD LOADS INCLUDING GIRDER AND DIAPHRAGM WEIGHTS. DESIGN DEAD LOAD DEFLECTIONS SHOWN ARE BASED ON THE AVERAGE OF BEAMS 1 THRU 6.
- FOR DIAPHRAGM DETAILS REFER TO SD 602.00.
- END OF BEAMS & BEARING STIFFENERS SHALL BE VERTICAL UNDER DEAD LOAD.



DEAD LOAD DEFLECTION
SCALE 1" = 1'-0"

PROJECT NAME:	JAY	PLOT DATE:	8/16/2016
PROJECT NUMBER:	BHF 0278(3)	DRAWN BY:	J. SOTER
FILE NAME:	z12ci54fra.dgn	DESIGNED BY:	N. TIRK
PROJECT LEADER:	M. CHENETTE	CHECKED BY:	T. KNIGHT
FRAMING PLAN & DETAILS		SHEET	23 OF 72

