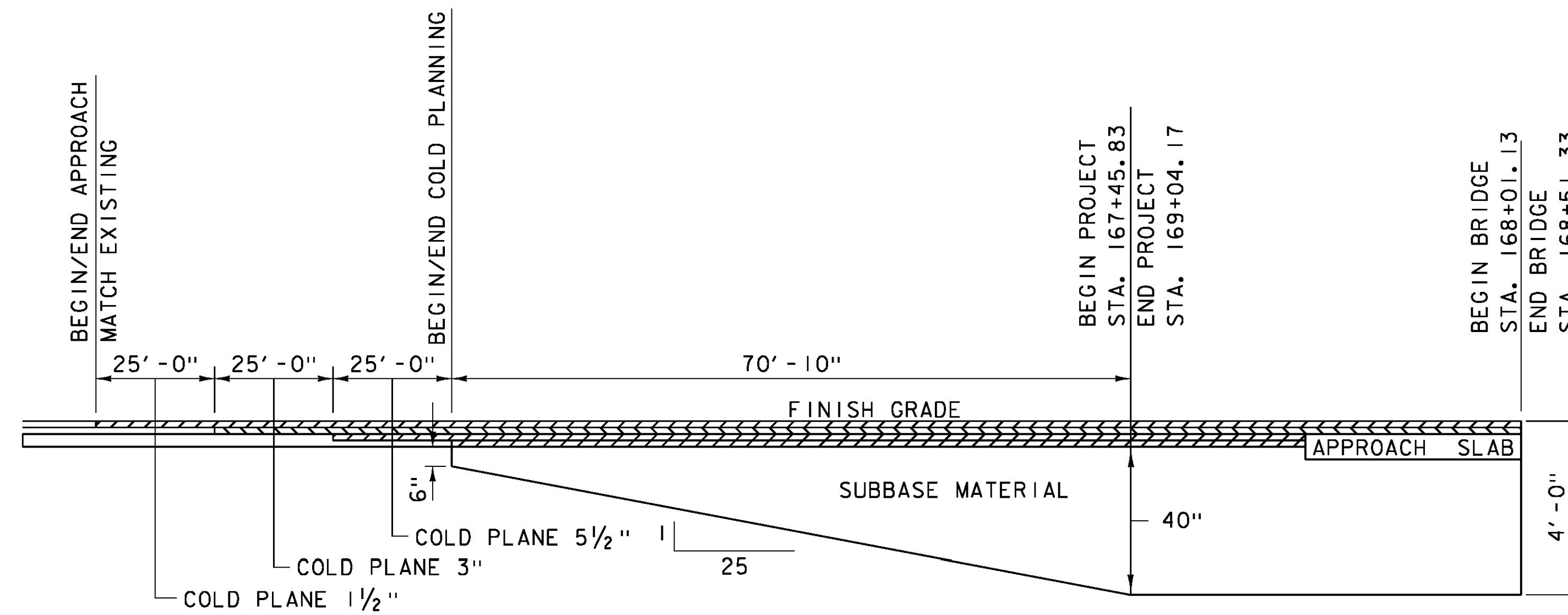


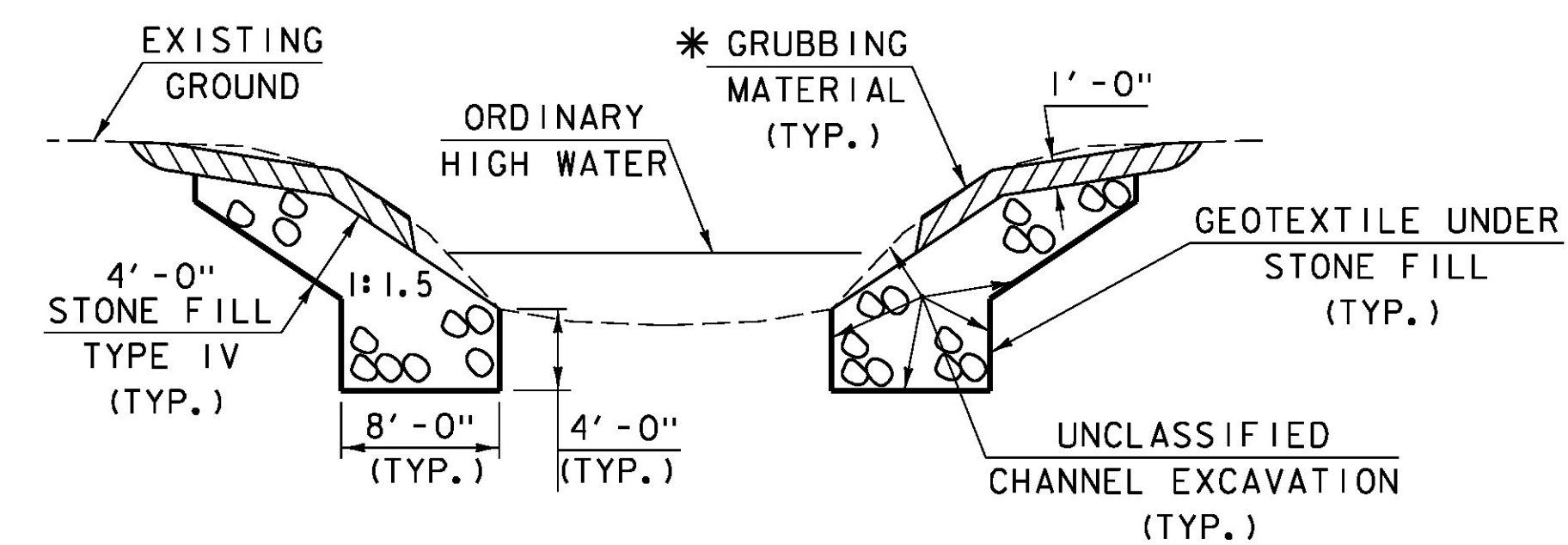
**TYPICAL EARTHWORK SECTION**  
(NOT TO SCALE)



**TYPICAL APPROACH SECTION**  
(ELEVATION IN CUT AND FILL)  
(NOT TO SCALE)

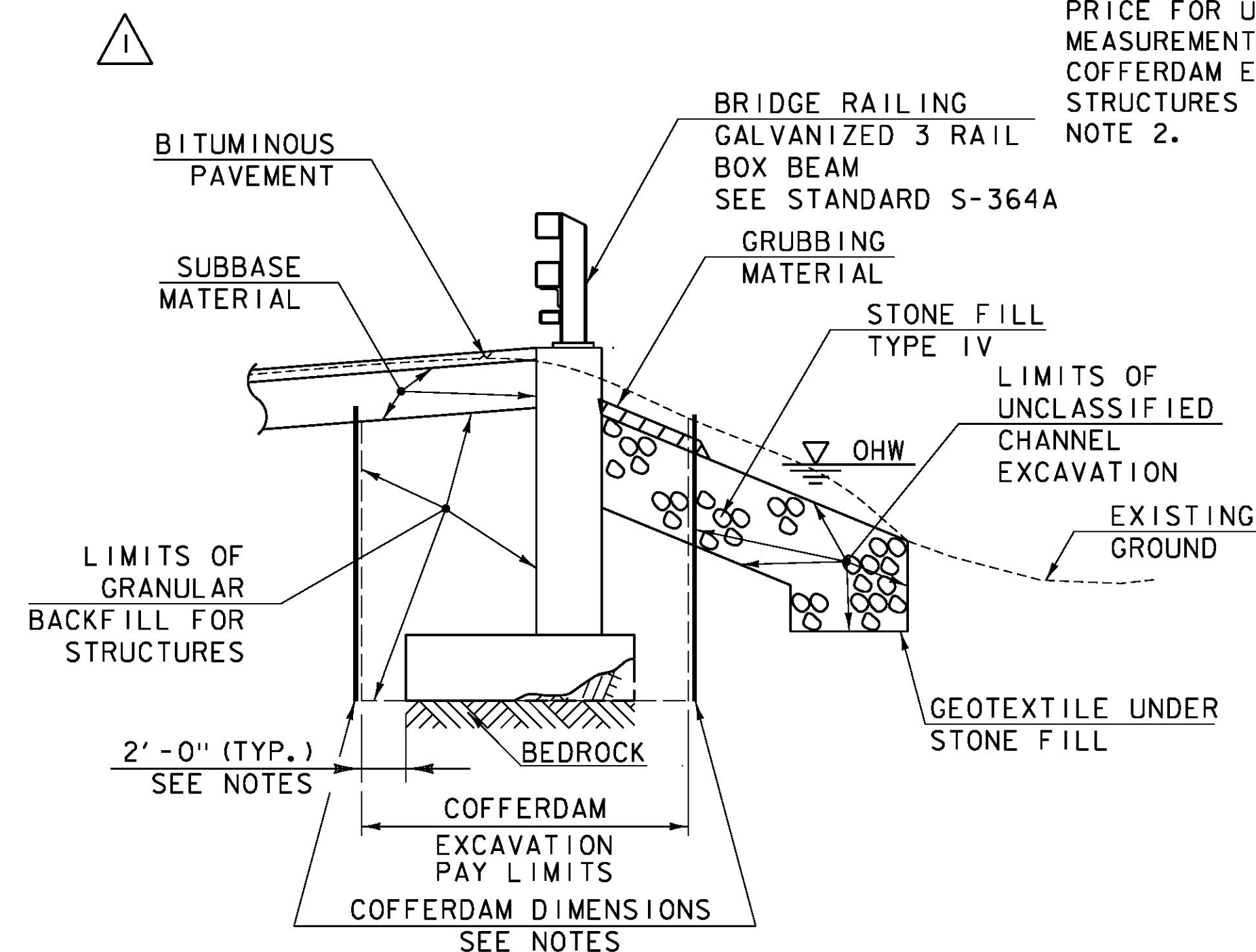
**COFFERDAM NOTES**

1. COFFERDAM DIMENSIONS TO BE DETERMINED BY THE CONTRACTOR.
2. THE PAY LIMITS OF EITHER "COFFERDAM EXCAVATION, EARTH" OR "COFFERDAM EXCAVATION, ROCK" SHALL BE 2'-0" OUTSIDE THE PERIMETER OF THE FOOTING AND FROM THE BOTTOM OF EXCAVATION UP TO THE EXISTING GROUND OR BOTTOM OF SUBBASE, WHICHEVER IS LOWER.
3. IF A COFFERDAM IS CONSTRUCTED WHICH IS LARGER THAN THE INDICATED COFFERDAM EXCAVATION PAY LIMITS, PAYMENT FOR ALL UNCLASSIFIED CHANNEL EXCAVATION, INCLUDING THAT PORTION WHICH IS INSIDE THE COFFERDAM BUT OUTSIDE THE COFFERDAM PAY LIMITS, WILL BE MADE AT THE CONTRACT UNIT PRICE FOR UNCLASSIFIED CHANNEL EXCAVATION. NO MEASUREMENT AND PAYMENT WILL BE MADE FOR COFFERDAM EXCAVATION AND GRANULAR BACKFILL FOR STRUCTURES OUTSIDE THE PAY LIMITS DEFINED IN NOTE 2.

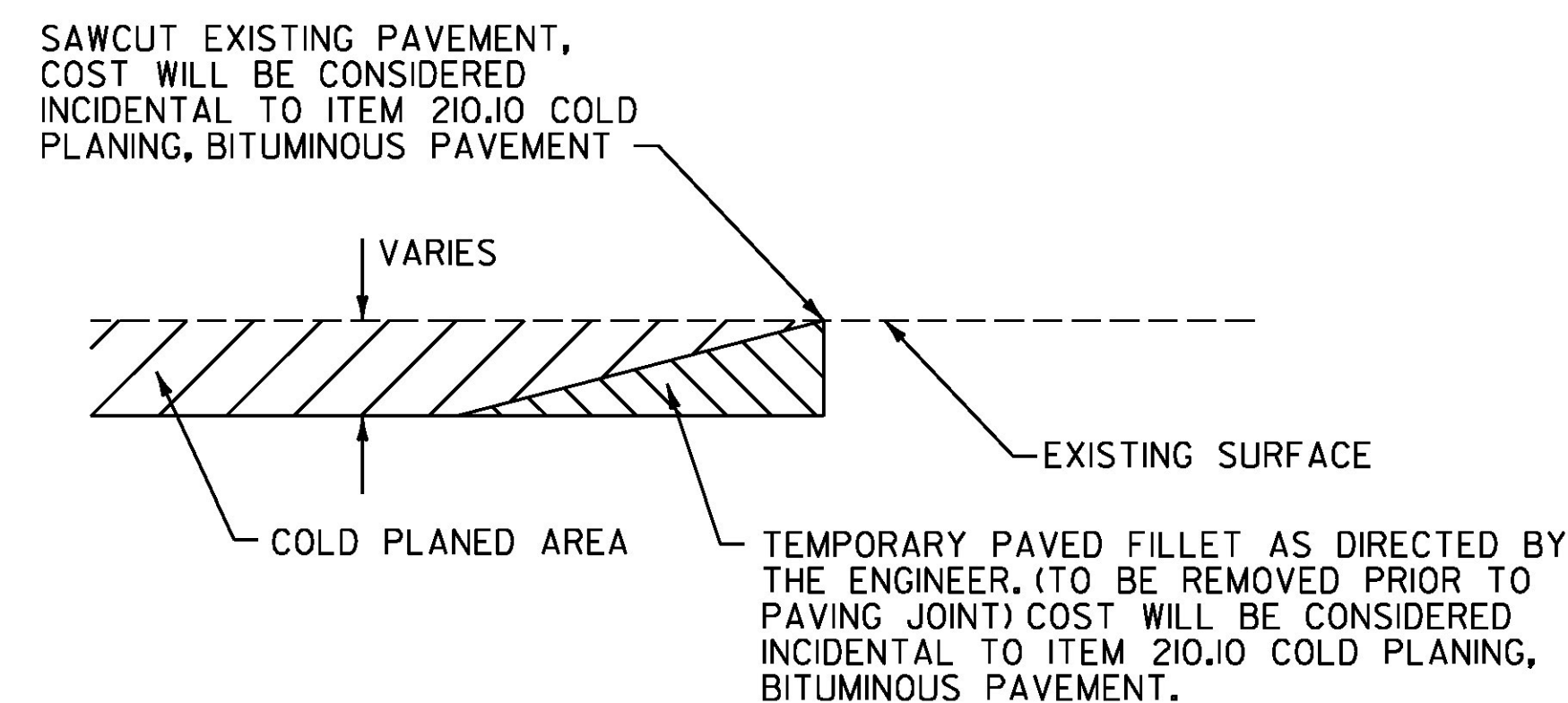


**CHANNEL TYPICAL SECTION**  
NOT TO SCALE

\* WHENEVER CHANNEL SLOPE INTERSECTS ROADWAY SUBBASE, GRUBBING MATERIAL SHALL BEGIN AT THE BOTTOM OF SUBBASE.



**TYPICAL WINGWALL SECTION - UPSTREAM**



**DETAIL AT VERTICAL COLD PLANE JOINTS**

NOTE: THIS DETAIL SHALL BE USED AT THE LOCATIONS SHOWN ABOVE AS DIRECTED BY THE ENGINEER.

REVISIONS	
09.27.16	REVISED TYPICAL EARTHWORK AND WINGWALL SECTIONS
PROJECT NAME: JAY	
PROJECT NUMBER: BHF 0278(3)	
FILE NAME: z12ci54typ.dgn	PLOT DATE: 9/26/2016
PROJECT LEADER: M. CHENETTE	DRAWN BY: L. BUXTON
DESIGNED BY: N. TIRK	CHECKED BY: M. CHENETTE
TYPICAL SECTIONS - TYP 2	SHEET 4 OF 72

