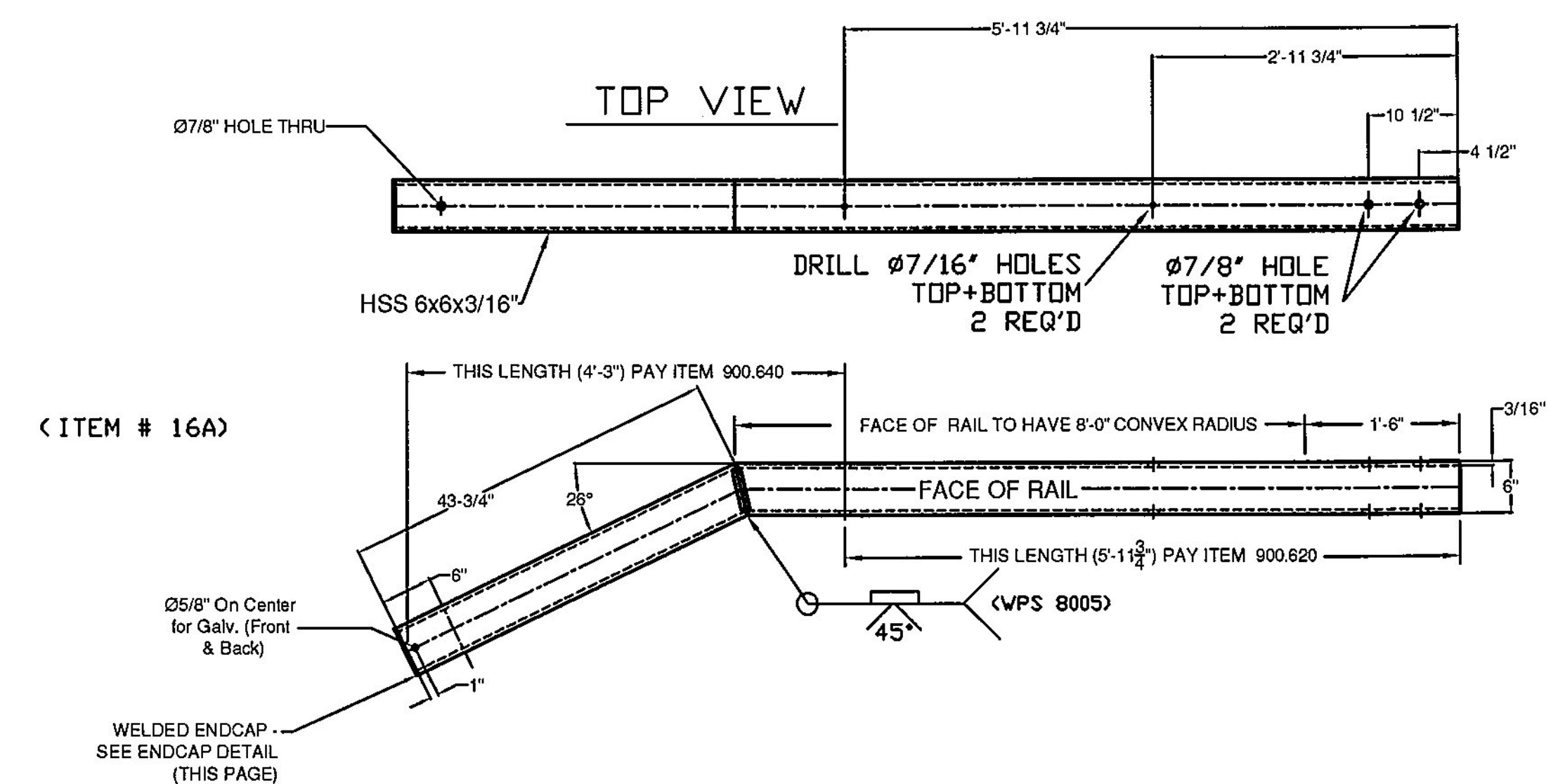
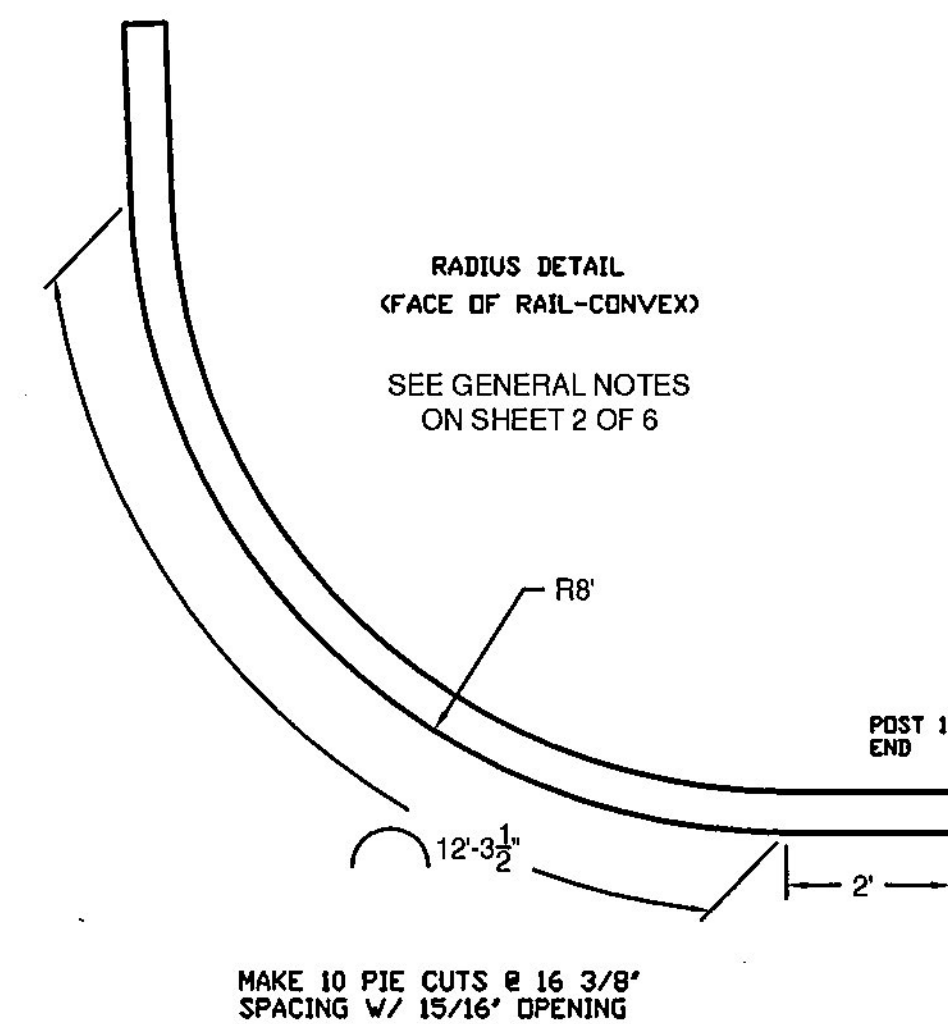
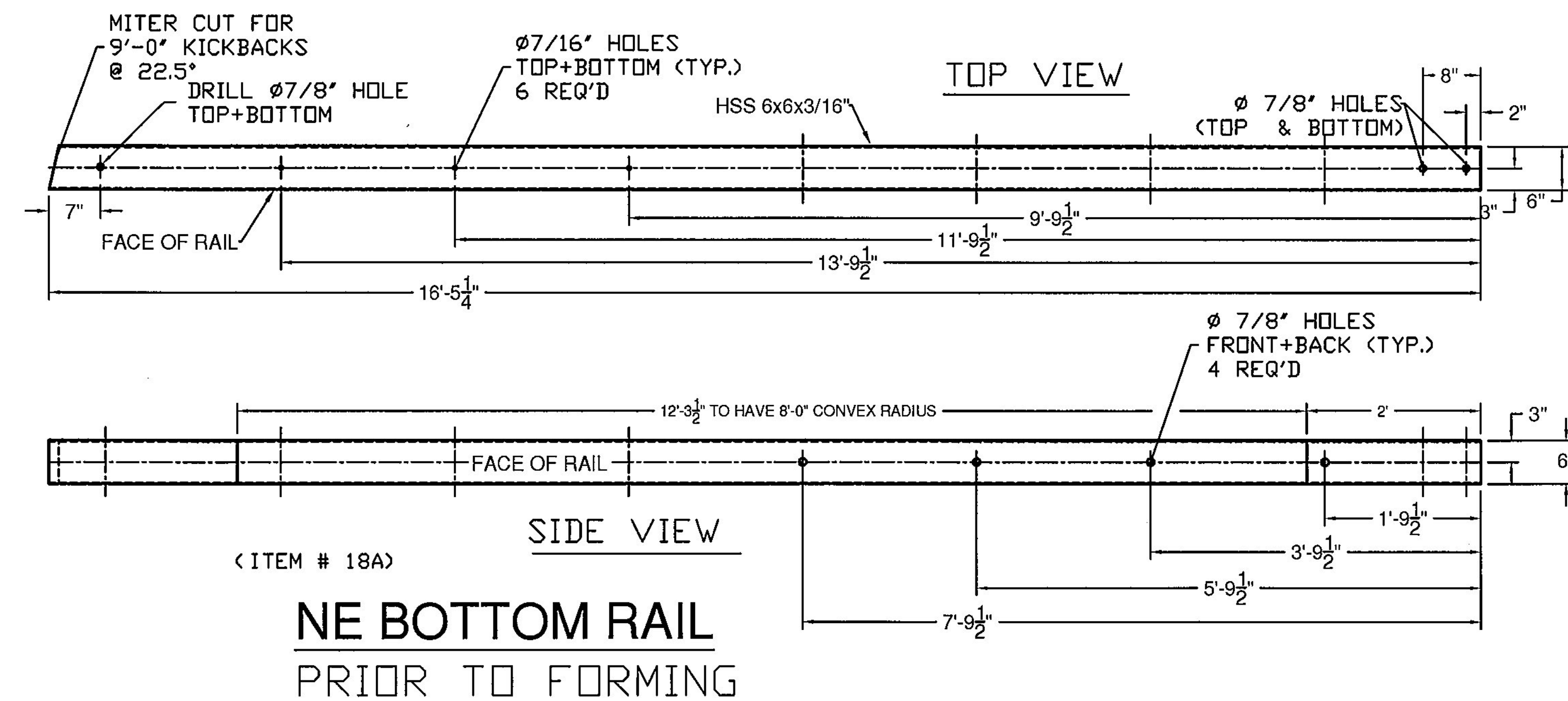


Fillet Weld. 1/8".
WPS 8000.



Vermont Agency of Transportation
RECEIVED
 CK'D BY TYLin OK'D BY TYLin
 February 13, 2017
 RESUBMIT No Approved AsNoted
 BY Kristin Higgins DATE 2/15/2017

T.Y. LIN INTERNATIONAL
 THE STAMPED DOCUMENTS ARE HEREBY:
 APPROVED
 APPROVED AS NOTED
 REVISE AND RESUBMIT
 SEE TRANSMITTAL FOR ADDITIONAL INFORMATION AS APPLICABLE.
 THIS REVIEW IS FOR GENERAL CONFORMANCE WITH DESIGN CONCEPT ONLY. ANY DEVIATION FROM THE PLANS OR SPECIFICATIONS NOT CLEARLY NOTED BY THE CONTRACTOR HAS NOT BEEN REVIEWED. REVIEW BY THE ENGINEER SHALL NOT RELIEVE THE CONTRACTOR OF THE CONTRACTUAL RESPONSIBILITY FOR ANY ERRORS OR DEVIATION FROM THE CONTRACT REQUIREMENTS.
 JOSH OLUND February 15, 2017
 REVIEWER DATE

ITEM #: 900.620

STRUCTURAL STEEL TO COMPLY W/ ASTM A6
 TOLERANCE UNLESS OTHERWISE NOTED:
 FRACTIONS = ± 1/16"
 ANGLES = ± 1/2"
 DIAMETERS = ± 1/32"

TRANSITION - CONCRETE PARAPET TO HIGHWAY GUIDE RAIL				SHEET 6 OF 6			
PROJECT 148 CHELSEA BHF 0169(9), VT ROUTE 110, RURAL MAJOR COLLECTOR BRIDGE 9							
TOWN OF CHELSEA, COUNTY OF ORANGE, VERMONT							
R NO.	DATE	DESCRIPTION	BY	R NO.	DATE	DESCRIPTION	BY
E 1	2/7/17	REVISED PER 2/3/17 DWG REVIEW	D.K.				
V			E				

ELDERLEE, INC.
 OAKS CORNERS, NEW YORK 14518
 email: dlong@elderlee.com / epeek@elderlee.com
 Tel: 315-789-6670 Fax: 315-789-6615

DRAWN	D.K.	1/3/17
CHECKED	E.P.	1/3/17
APPROVED	D.L.	1/12/17
SCALE	SCHEMATIC	
DRAWING NO.	R.LAFAYETTE - CHELSEA (9) - 1	