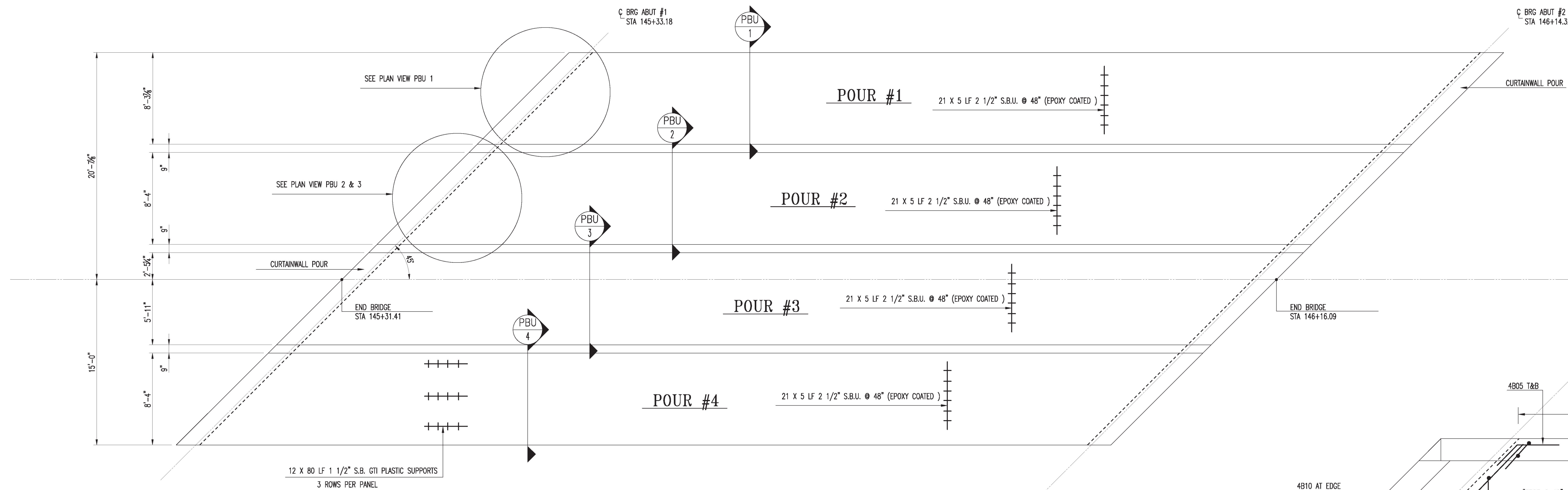


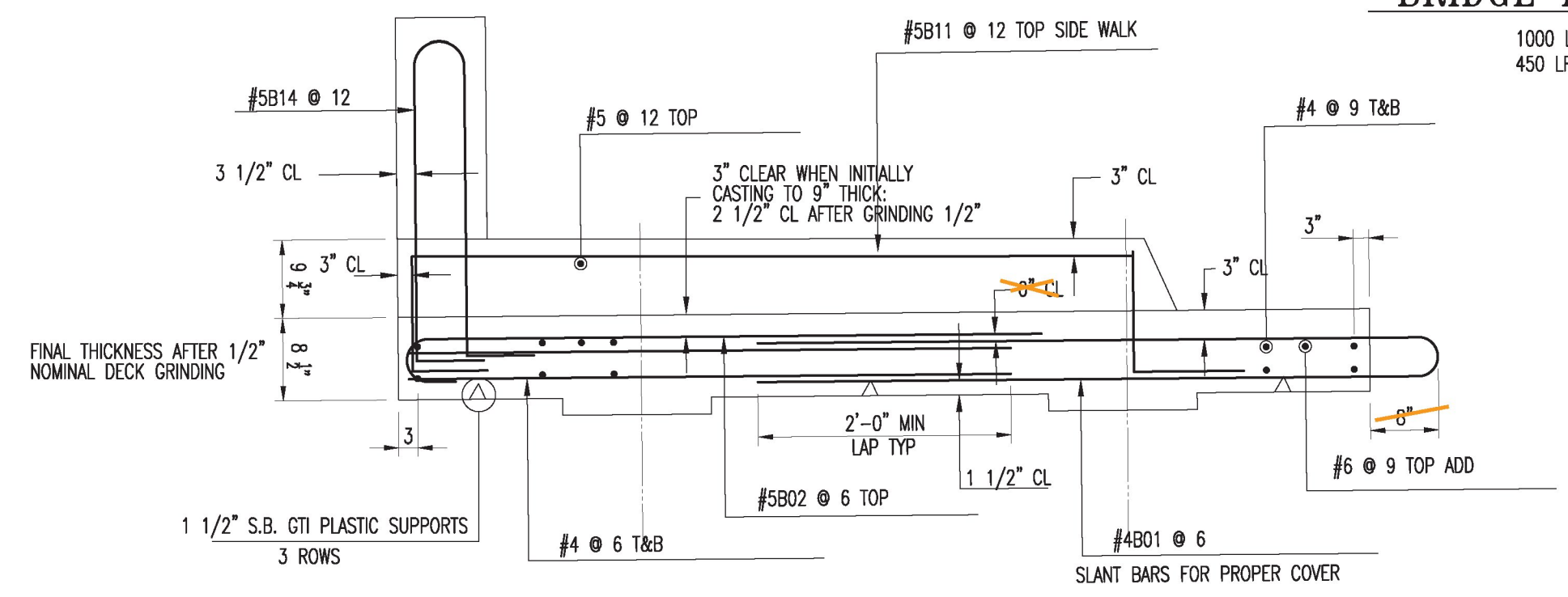
NOT BY HARRIS REBAR.  
 FOR ALL SURFACE FINISHES, LIFT DEVICE TYPE, AND LOCATION,  
 CURE METHODS, CONCRETE INFO, AND OTHER REQUIRED ITEMS,  
 PER SPECIAL PROVISION (PREFABRICATED BRIDGE UNIT SUPERSTRUCTURE)  
 SEE APPROPRIATE SUBMITTALS BY CPM CONSTRUCTORS

ENGINEER. THIS DWG IS FOR PURPOSE OF PLACING REBARS ONLY

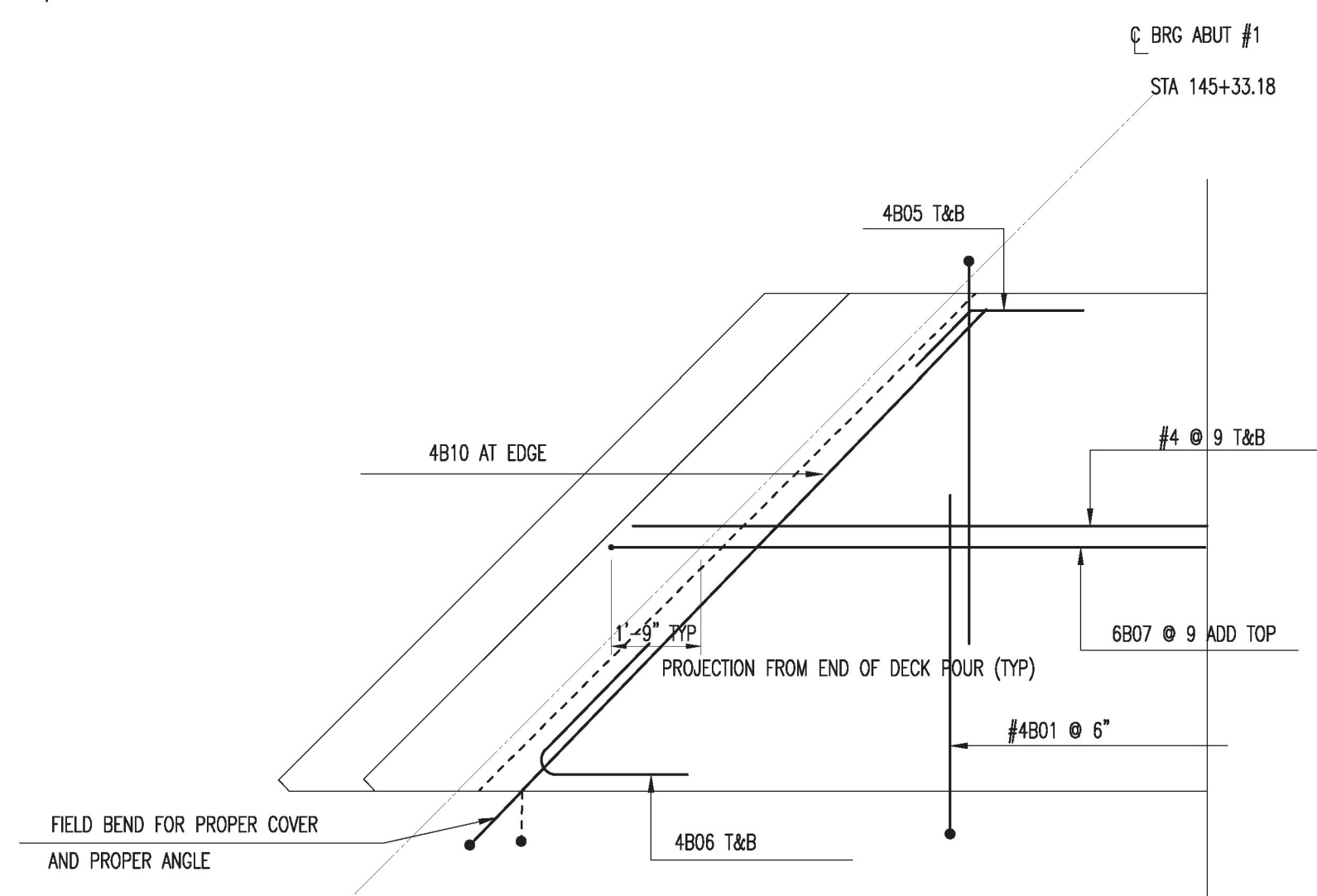


**BRIDGE DECK BHF 0169(9)**

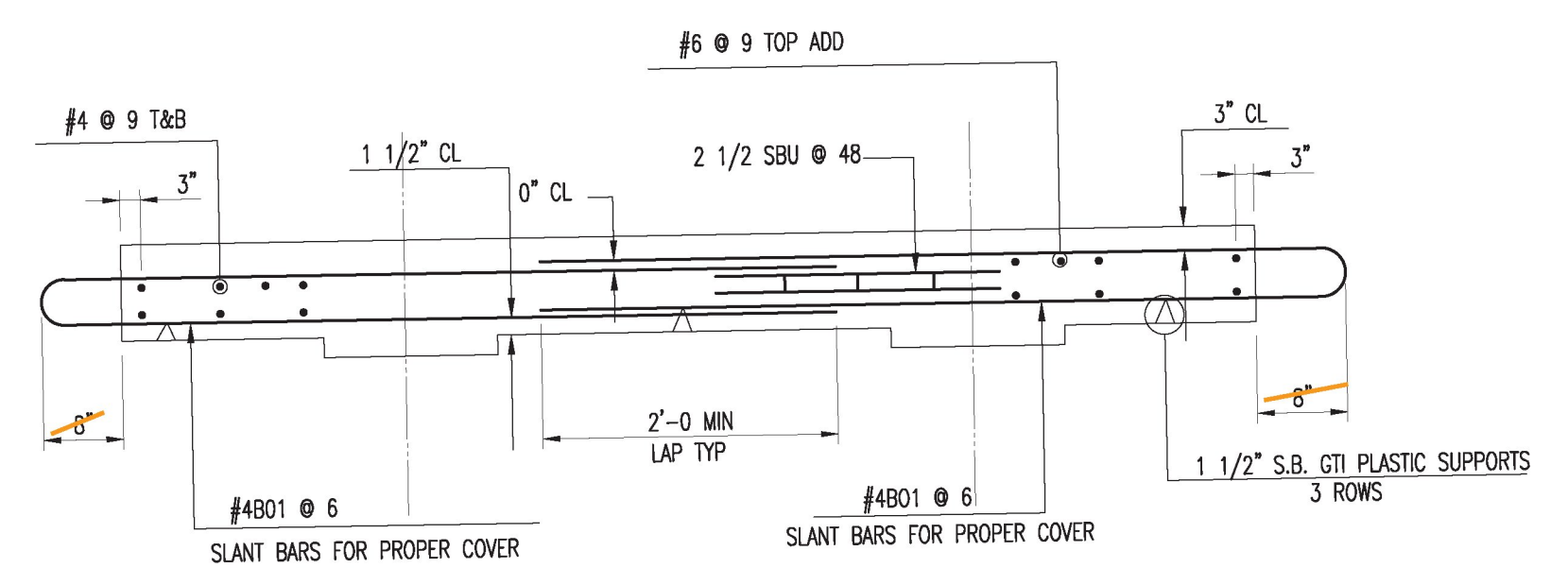
1000 LF 1 1/2" S.B. GTI PLASTIC  
 450 LF 2 1/2" S.B.U. EPOXY COATED



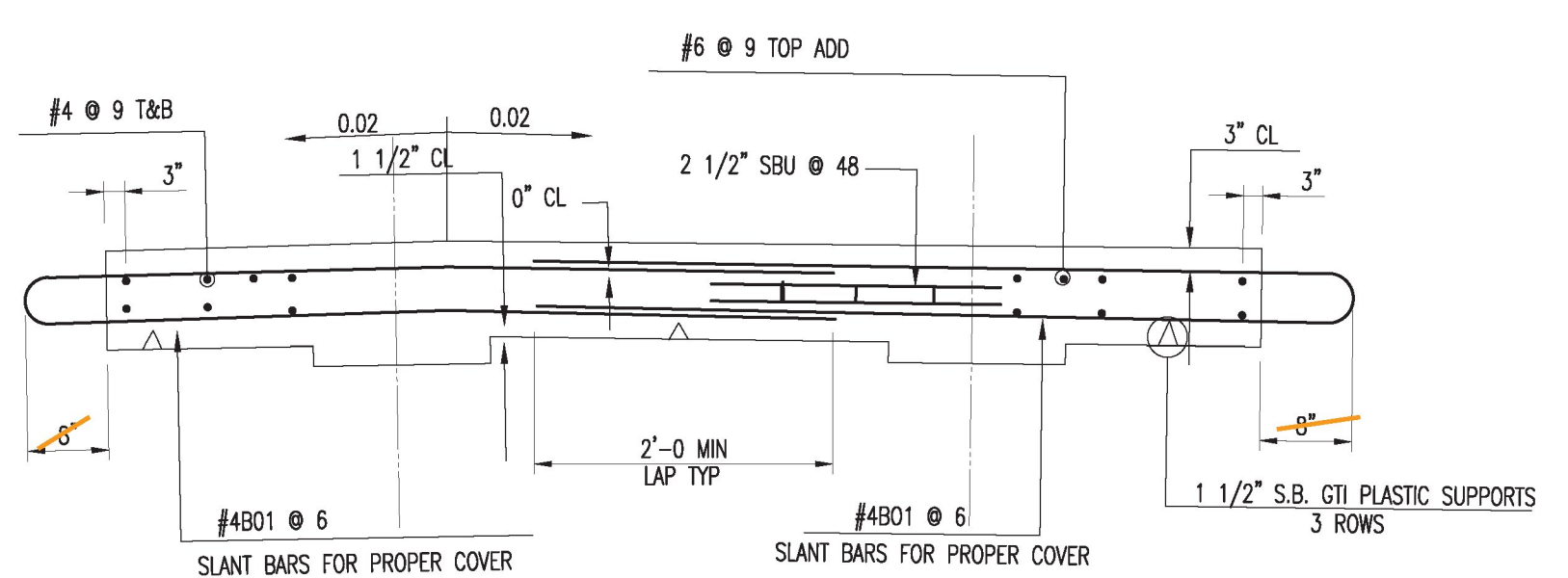
**PBU #1 SECTION**



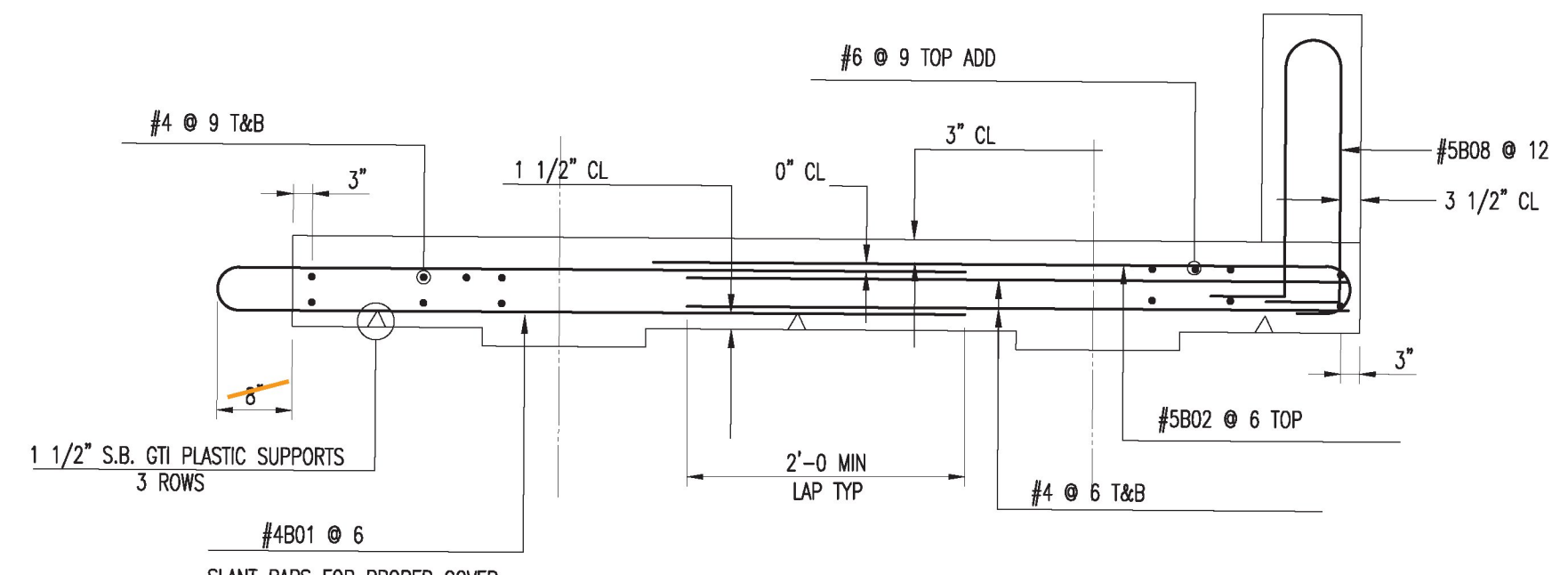
**PLAN VIEW PBU 2 & 3**



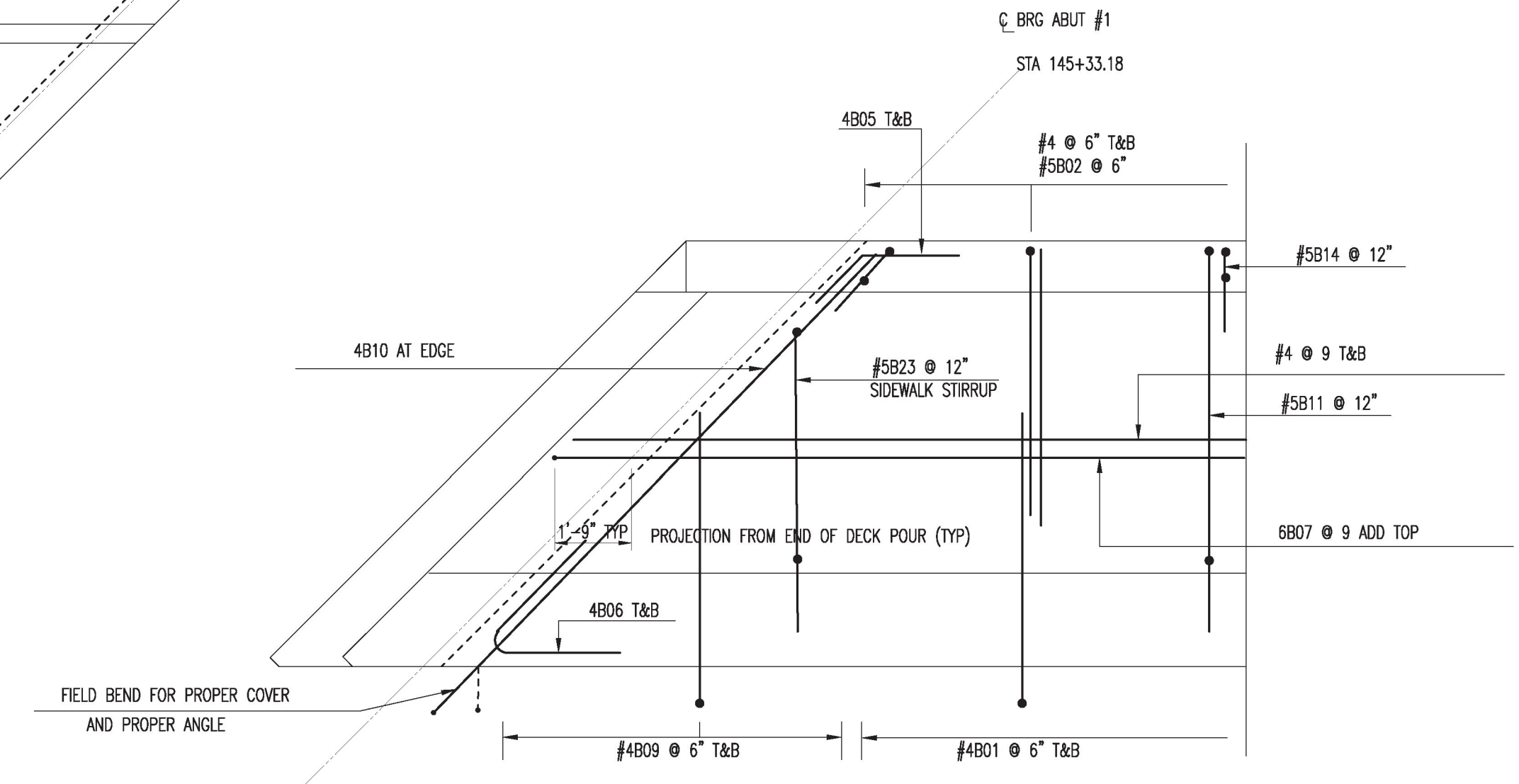
**PBU #2 SECTION**



**PBU #3 SECTION**



**PBU #4 SECTION**



**PLAN VIEW PBU 1**

ALL MATERIAL ON THIS DRAWING SHALL BE ASTM A775 GRADE 60 "EPOXY COATED" U.N.O.



March 14, 2017

RESUBMIT No Approved AsNoted  
 BY Kristin Higgins DATE 3/27/2017

**T.Y. LIN INTERNATIONAL**

THE STAMPED DOCUMENTS ARE HEREBY:

APPROVED  
 X APPROVED AS NOTED  
 REVISE AND RESUBMIT

SEE TRANSMITTAL FOR ADDITIONAL INFORMATION AS APPLICABLE.

THIS REVIEW IS FOR GENERAL CONFORMANCE WITH DESIGN CONCEPT ONLY. ANY DEVIATION FROM THE PLANS OR SPECIFICATIONS NOT CLEARLY NOTED BY THE CONTRACTOR HAS NOT BEEN REVIEWED. REVIEW BY THE ENGINEER SHALL NOT RELIEVE THE CONTRACTOR OF THE CONTRACTUAL RESPONSIBILITY FOR ANY ERRORS OR DEVIATION FROM THE CONTRACT REQUIREMENTS.

JOSH OLUND REVIEWER March 27, 2017 DATE

No.	Description	Date	By
2	FINAL APPROVAL	3/7/17	RL
1	APPROVAL	2/21/17	RL
0	APPROVAL	1/18/19	RL

Revisions and Issue Record

The full intent and purpose of this drawing is the placing of reinforcing steel bars ONLY. It is NOT to be used as a means of communication between the Architect, Engineer, Contractor or any other Sub-trades.

THIS DRAWING IS NOT TO BE SCALED.

**HarrisRebar**  
 Barker Steel  
 National Strength. Local Service.

Project: CHELSEA BHF 0169  
 CHELSEA VT

Drawing: CHELSEA BRIDGE DECK 0169(9)

Customer: CPM CONSTRUCTORS

Engineer:

Refer to Release:

Date	Drawn	Chkd.	JOB No.	Dwg. No.
1/18/17	RL	RL	33506241	R02

W:\victory\Project\33506241\Placing Drawings\DWG\B02.dwg