

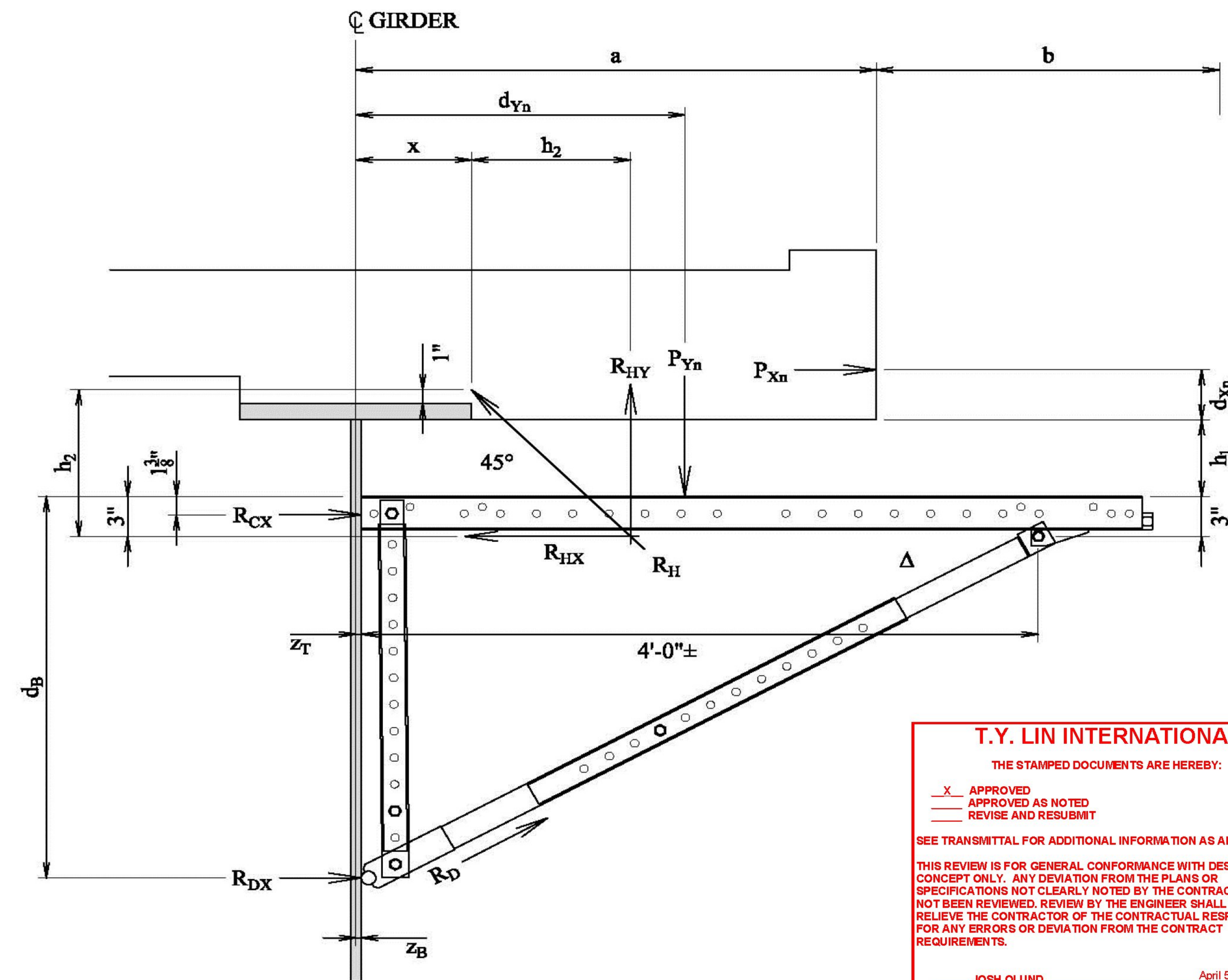


A. H. HARRIS & SONS, Inc.

6 Commerce Blvd.
 Plainville, Massachusetts 02762
 Phone (508) 359-7321
 Fax (508) 359-2491

Bridge Deck Formwork Calculations
 Prepared by: RSJ
 Wednesday, February 1, 2017

Customer: CPM Constructors
 Project: Deck Forming-Bridge 9 & 11
 Location: Rte 110, Chelsea, VT



OVERHANG BRACKET LOADING DIAGRAM

T.Y. LIN INTERNATIONAL
 THE STAMPED DOCUMENTS ARE HEREBY:
 -X- APPROVED
 _____ APPROVED AS NOTED
 _____ REVISE AND RESUBMIT
 SEE TRANSMITTAL FOR ADDITIONAL INFORMATION AS APPLICABLE.
 THIS REVIEW IS FOR GENERAL CONFORMANCE WITH DESIGN CONCEPT ONLY. ANY DEVIATION FROM THE PLANS OR SPECIFICATIONS NOT CLEARLY NOTED BY THE CONTRACTOR HAS NOT BEEN REVIEWED. REVIEW BY THE ENGINEER SHALL NOT RELIEVE THE CONTRACTOR OF THE CONTRACTUAL RESPONSIBILITY FOR ANY ERRORS OR DEVIATION FROM THE CONTRACT REQUIREMENTS.
 JOSH OLUND April 5, 2017
 REVIEWER DATE

Vermont Agency of Transportation
RECEIVED
 CK'D BY TYLin OK'D BY TYLin
 April 5, 2017
 RESUBMIT No Approved
 BY Kristin Higgins DATE 4/7/2017