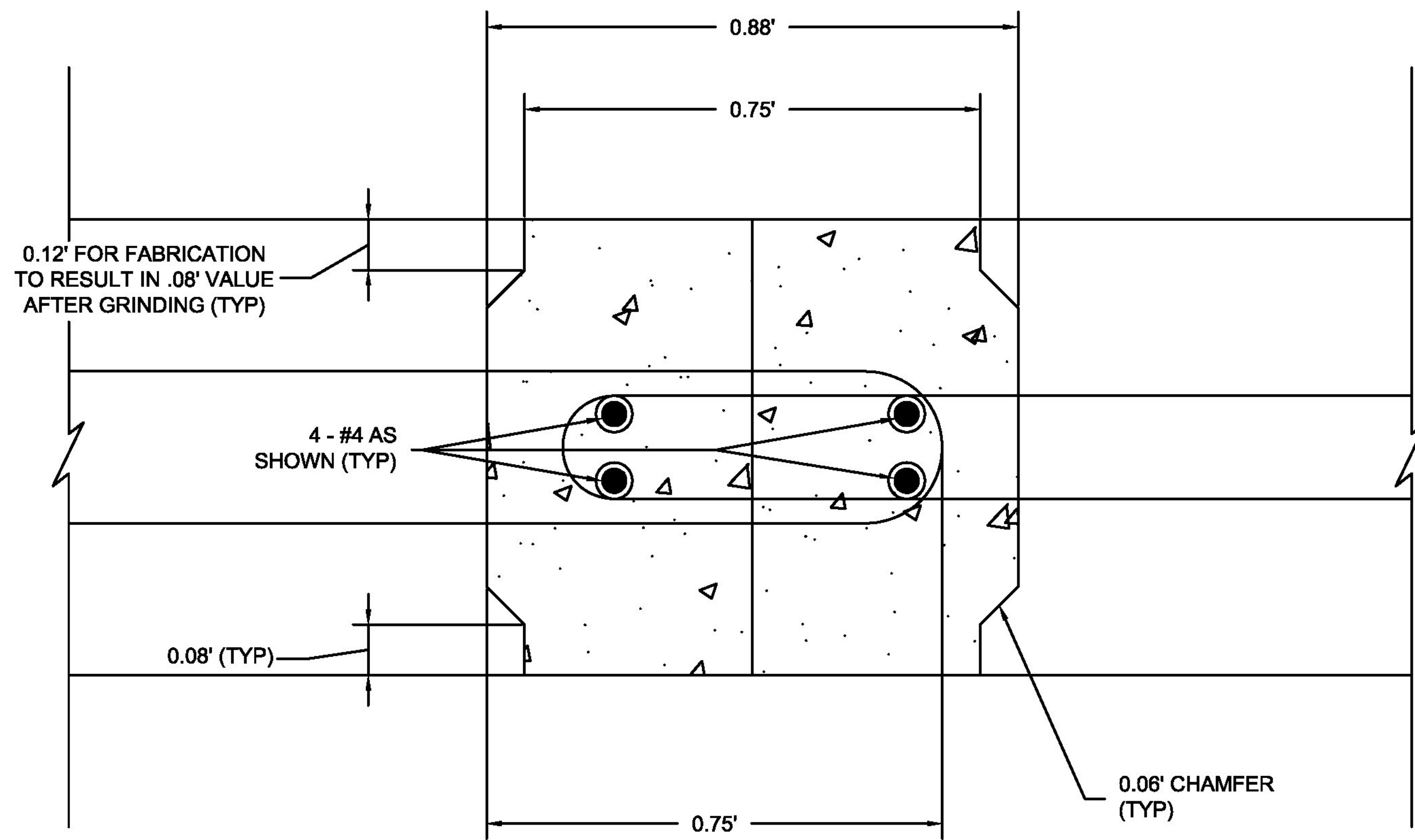


**NOTES:**  
1. SEE NOTE 1 SHEET 2 OF 11 FOR CLOSURE POUR FINISH REQUIREMENTS.

**SUPERSTRUCTURE PLAN  
NOT TO SCALE**



**CLOSURE POUR DETAIL SECTION  
NOT TO SCALE**

STAGGER ADJACENT BARS @ 3" (TYP)

**T.Y. LIN INTERNATIONAL**

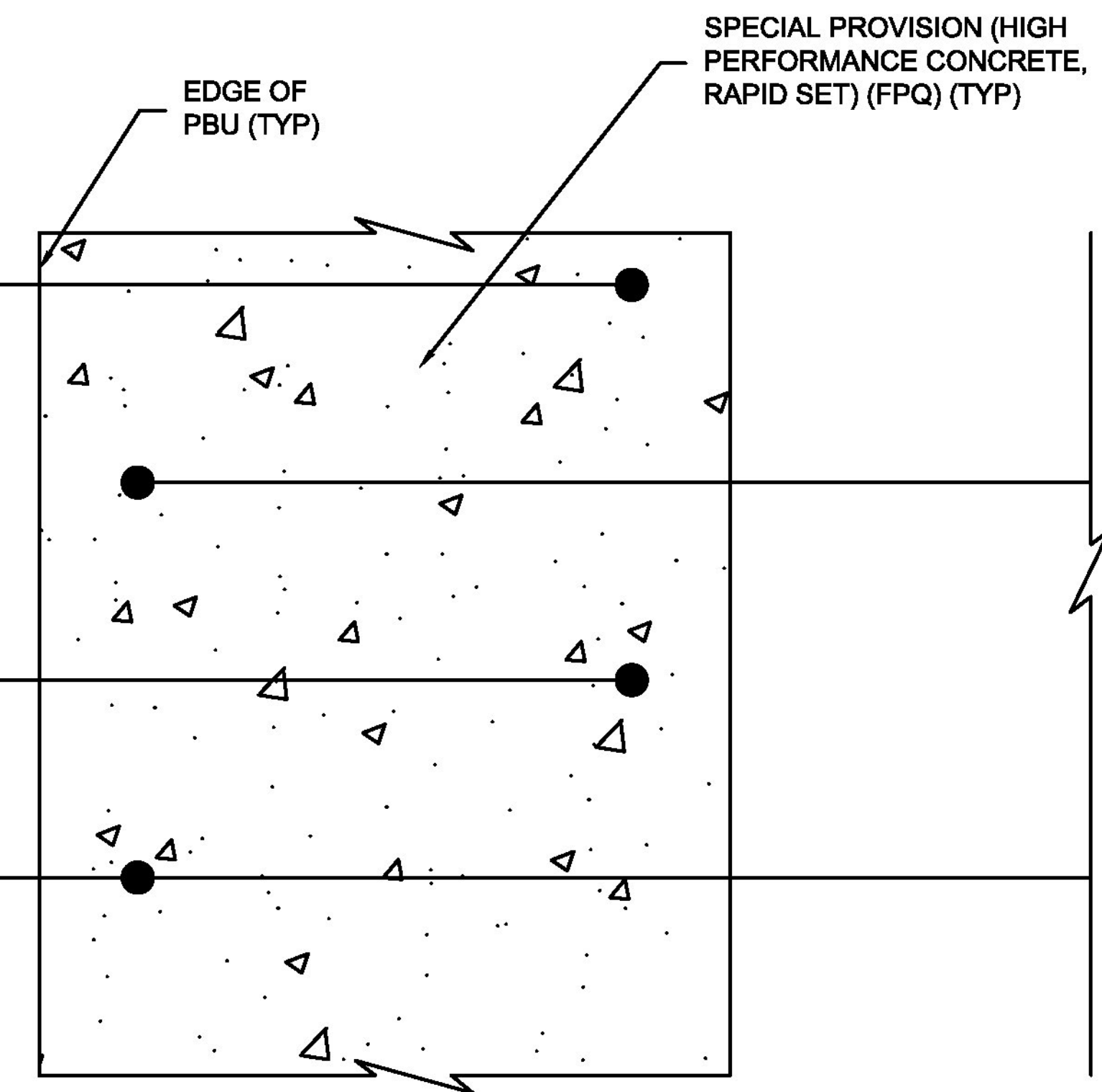
THE STAMPED DOCUMENTS ARE HEREBY:

- APPROVED
- APPROVED AS NOTED
- REVISE AND RESUBMIT

SEE TRANSMITTAL FOR ADDITIONAL INFORMATION AS APPLICABLE.

THIS REVIEW IS FOR GENERAL CONFORMANCE WITH DESIGN CONCEPT ONLY. ANY DEVIATION FROM THE PLANS OR SPECIFICATIONS NOT CLEARLY NOTED BY THE CONTRACTOR HAS NOT BEEN REVIEWED. REVIEW BY THE ENGINEER SHALL NOT RELIEVE THE CONTRACTOR OF THE CONTRACTUAL RESPONSIBILITY FOR ANY ERRORS OR DEVIATION FROM THE CONTRACT REQUIREMENTS.

JOSH OLUND REVIEWER April 5, 2017 DATE



**CLOSURE POUR DETAIL PLAN  
NOT TO SCALE**

Vermont Agency of Transportation

**RECEIVED**

CK'D BY TYLin OK'D BY TYLin

April 5, 2017

RESUBMIT No Approved  
BY Kristin Higgins DATE 4/7/2017

**CPM CONSTRUCTORS**  
80 BOURNET STREET  
P.O. BOX 9  
WINDHAM, VT 05795-0009  
(802) 368-0000 FAX (802) 688-0000



PROJECT INFORMATION	
JOB NAME:	CONTRACTOR:
JOB NUMBER:	P.E. NUMBER:
APPROVED BY:	DATE:
DATE:	SCALE:
DATE:	SCALE:

**CLOSURE POUR  
DETAILS**  
**BHF 0169(09)**  
**CHELSEA, VERMONT**

**SHEET NUMBER**

**6**

**OF 11**