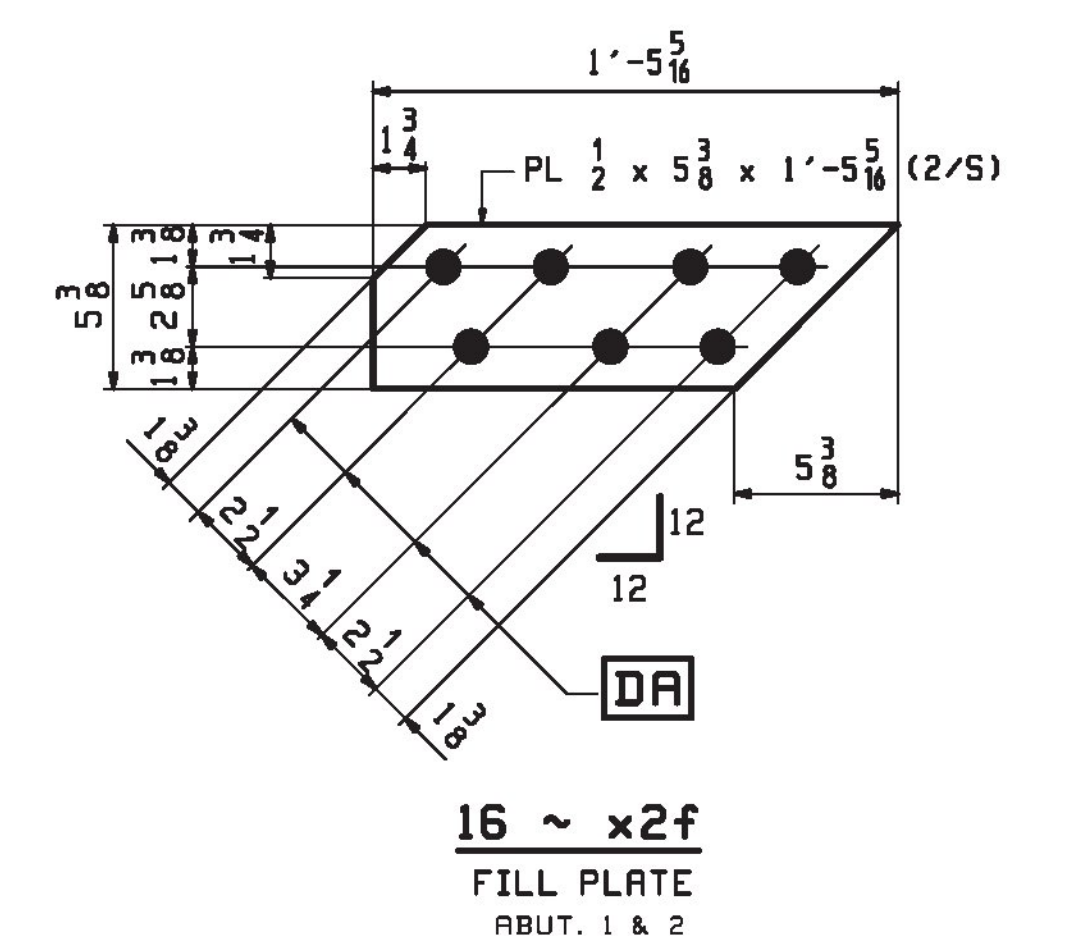
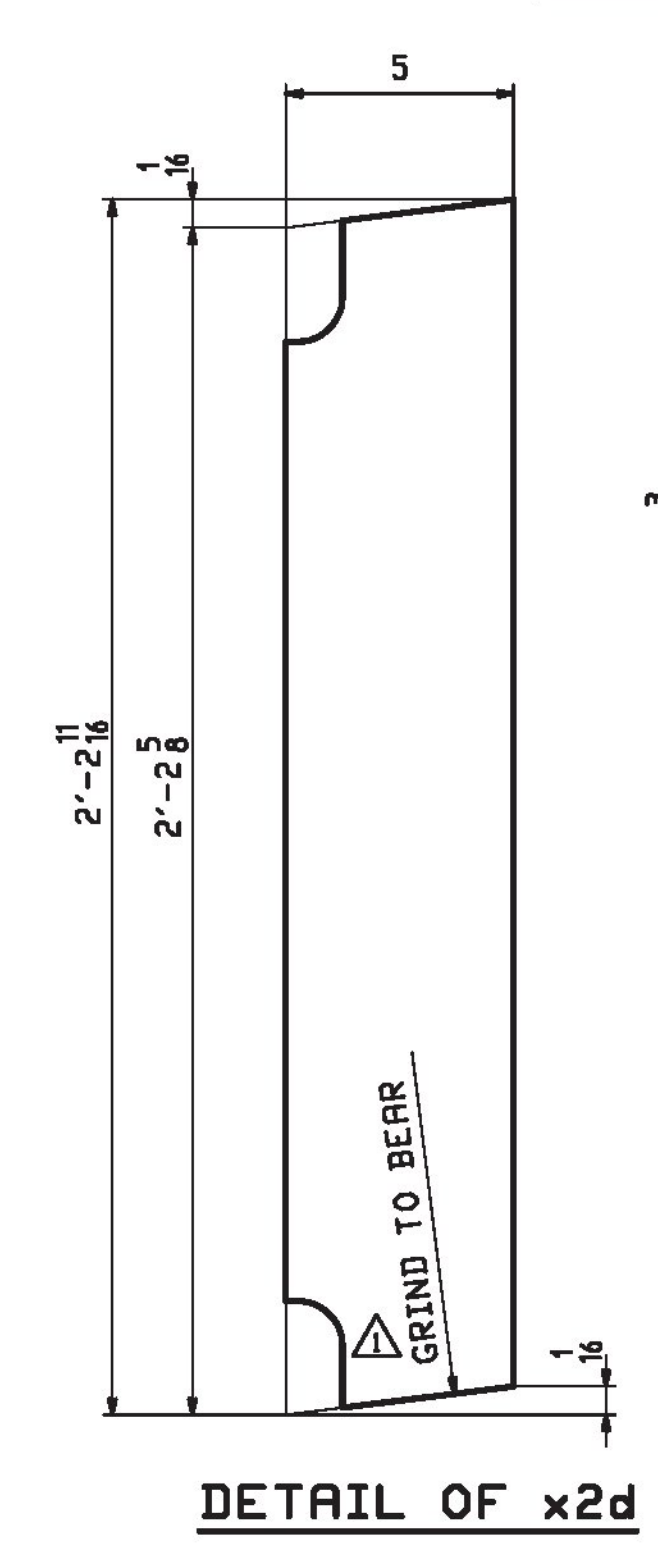
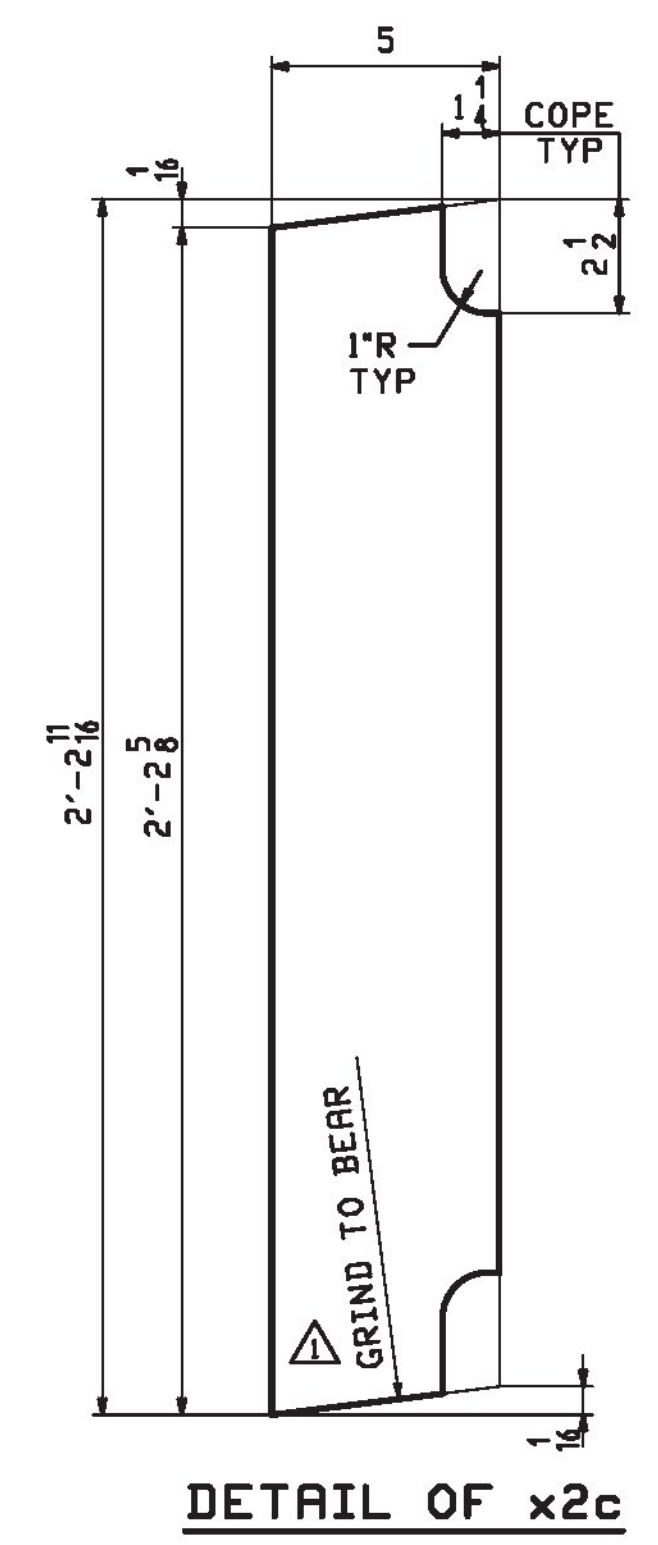
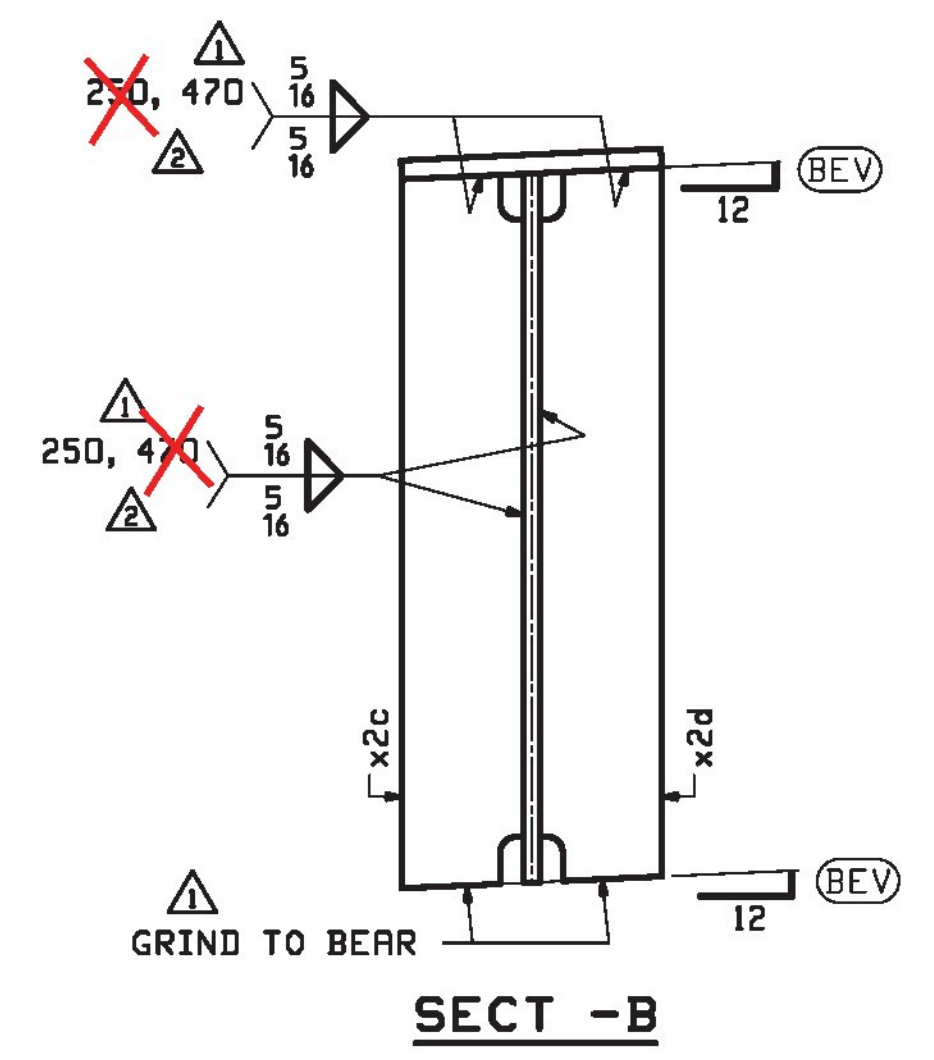


RBM INFO		BILL OF MATERIAL				JOB NO.	DRAWING NO.	REV.	
PAGE	LINE	MARK	QTY	MARK	MATERIAL	LENGTH FT INCHES	REMARKS	WT	PROCUREMENT NOTES
		X25B1	4		ABUT DIAPH SUB-ASSEMBLY			711	
2	K		4	x2a	PL 7/8 x 26 5/8	5 9	MIE	456	
2	L		4	x2b	PL 7/8 x 11	5 9 1/2		189	
2	M		4	x2c	PL 7/8 x 5	2 2 1/2	MIE	33	
2	M		4	x2d	PL 7/8 x 5	2 2 1/2	MIE	33	
		X25B2	4		ABUT DIAPH SUB-ASSEMBLY			711	
2	K		4	x2aa	PL 7/8 x 26 5/8	5 9	MIE	456	
2	L		4	x2b	PL 7/8 x 11	5 9 1/2		189	
2	M		4	x2c	PL 7/8 x 5	2 2 1/2	MIE	33	
2	M		4	x2d	PL 7/8 x 5	2 2 1/2	MIE	33	

**DO NOT SHIP FROM THIS SHEET**



**T.Y. LIN INTERNATIONAL**  
 THE STAMPED DOCUMENTS ARE HEREBY:  
 \_\_\_\_\_ APPROVED  
 \_\_\_\_\_ X APPROVED AS NOTED  
 \_\_\_\_\_ REVISE AND RESUBMIT  
 SEE TRANSMITTAL FOR ADDITIONAL INFORMATION AS APPLICABLE.  
 THIS REVIEW IS FOR GENERAL CONFORMANCE WITH DESIGN CONCEPT ONLY. ANY DEVIATION FROM THE PLANS OR SPECIFICATIONS NOT CLEARLY NOTED BY THE CONTRACTOR HAS NOT BEEN REVIEWED. REVIEW BY THE ENGINEER SHALL NOT RELIEVE THE CONTRACTOR OF THE CONTRACTUAL RESPONSIBILITY FOR ANY ERRORS OR DEVIATION FROM THE CONTRACT REQUIREMENTS.  
 \_\_\_\_\_ JOSH OLUND March 10, 2017  
 REVIEWER DATE



NOTES:  
 - FOR GENERAL NOTES SEE GNI.

03/07	REVISED PER APPROVALS	RRL	WJL		
02/15	REVISED PER APPROVALS	RRL	WJL		
REV. DATE	REMARKS	DWN	CHK	APVL	SHOP
MATERIAL:	SURFACE PREP. & PRINT:	HOLES:		SHOP BOLTS:	
M270-50	SEE GNI	15 15/16 φ		NONE	
DESCRIPTION: GIRDER STANDARDS DETAILS					
		<b>CASCO BAY STEEL STRUCTURES, INC.</b> 1 WALLACE AVE. PHONE (207) 780-6722 SOUTH PORTLAND, ME 04106 FAX. (207) 780-6726			
STRUCTURE:	VT ROUTE 110 OVER 1ST BRANCH WHITE RIVER BRIDGE NO. 9	DRAWN:	RRL	DATE:	12/15
		CHKD:	WJL	DATE:	01/06/17
LOCATION:	TOWN OF CHELSEA, ORANGE COUNTY, VT.	JOB NO.	696	DWG NO.	X2
PROJ NO.	BHF 0169(9)			REV.	
CUSTOMER:	CPM CONSTRUCTORS				

**ABUTMENT DIAPHRAGM SUB-ASSEMBLY ~ MARK**  
 ABUT. 1 & 2, LOOKING DOWNSTATION

	MARK	QTY	(A)	(B)	(C)	(BEV)	(I)
ABUT. 1	X25B1	4	9 3/16	9 11/16	1 1/4	1 1/8	x2a
ABUT. 2	X25B2	4	9 3/8	9 1/2	1 1/16	1 1/16	x2aa

Vermont Agency of Transportation  
**RECEIVED**  
 CK'D BY TYLin OK'D BY TYLin  
 March 8, 2017  
 RESUBMIT No Approved As Noted  
 BY Kristin Higgins DATE 3/10/2017

VT - Mod. Rev. 8, 2012, 06/05/12, RM - 1/2012/10/2012/01/1 - Rev. 1