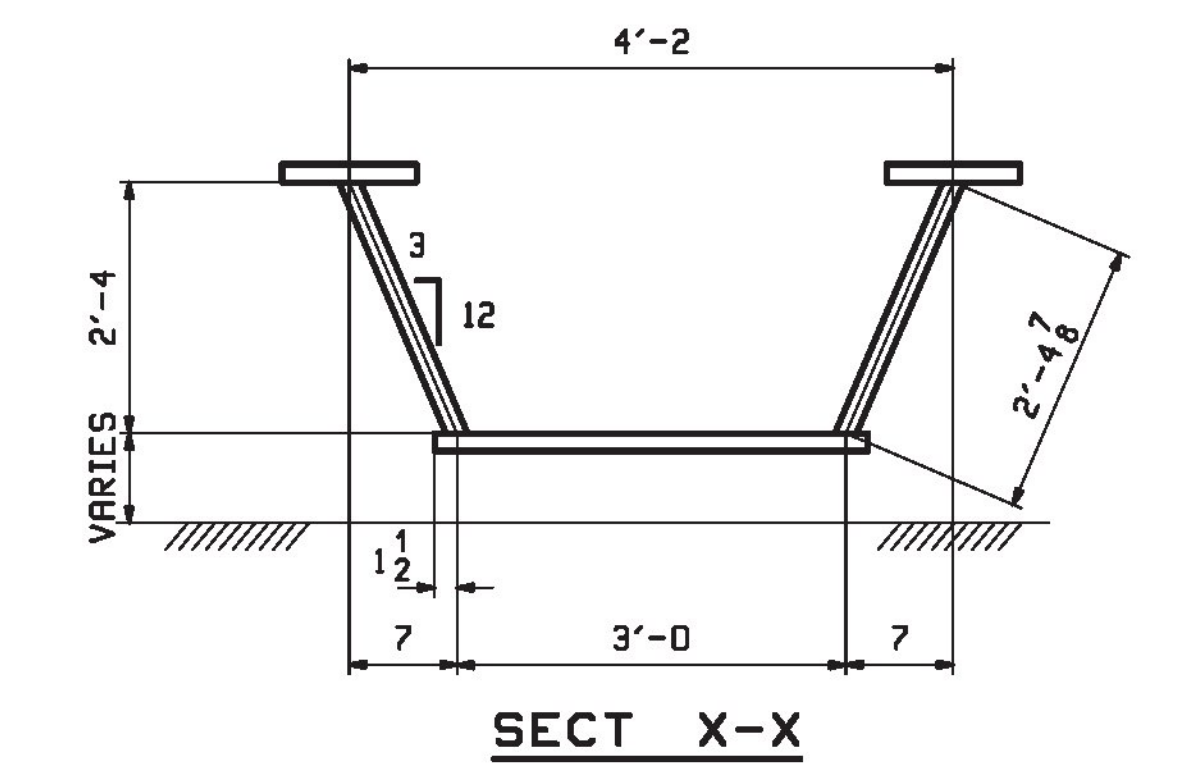


TOP FLANGE DIAGRAM
TYP. FOR NEAR & FAR FLG



SECT X-X
ALL GIRDERS ALIKE UNTIL ASSEMBLED

Vermont Agency of Transportation
RECEIVED
CK'D BY TYLin OK'D BY TYLin
March 8, 2017
RESUBMIT No Approved
BY Kristin Higgins DATE 3/10/2017

T.Y. LIN INTERNATIONAL
THE STAMPED DOCUMENTS ARE HEREBY:
-X- APPROVED
- APPROVED AS NOTED
- REVISE AND RESUBMIT
SEE TRANSMITTAL FOR ADDITIONAL INFORMATION AS APPLICABLE.
THIS REVIEW IS FOR GENERAL CONFORMANCE WITH DESIGN CONCEPT ONLY. ANY DEVIATION FROM THE PLANS OR SPECIFICATIONS NOT CLEARLY NOTED BY THE CONTRACTOR HAS NOT BEEN REVIEWED. REVIEW BY THE ENGINEER SHALL NOT RELIEVE THE CONTRACTOR OF THE CONTRACTUAL RESPONSIBILITY FOR ANY ERRORS OR DEVIATION FROM THE CONTRACT REQUIREMENTS.
JOSH OLUND REVIEWER March 10, 2017 DATE

NOTES:
- FOR GENERAL NOTES & WELDING DETAILS SEE SHEET GNI.
- *T2* - DENOTES CHARPY V-NOTCH TESTING REQUIRED, ZONE 2.

REV.	DATE	REMARKS	DNW	CHK	APVL	SHOP
0						
MATERIAL:		SURFACE PREP. & PRINT:		HOLES:		SHOP BOLTS:
M270-50		SEE GNI				
DESCRIPTION: BOX GIRDER CAMBER DIAG ~ 1G1, 1G2, 1G3 & 1G4						
STRUCTURE:			DRAWN:		DATE:	
VT ROUTE 110 OVER 1ST BRANCH WHITE RIVER BRIDGE NO. 9			RRL		12/06	
			CHKD:		DATE:	
			WJL		12/16/16	
LOCATION: TOWN OF CHELSEA, ORANGE COUNTY, VT.			JOB NO.		DWG NO.	
PROJ NO. BHF 0169(9)			696		BG1	
CUSTOMER: CPM CONSTRUCTORS					REV. △	

X:_The_Plan_16_2017_20160304_Plan_16.dwg
 16/03/2017 10:02:00 AM
 T.Y. LIN INTERNATIONAL