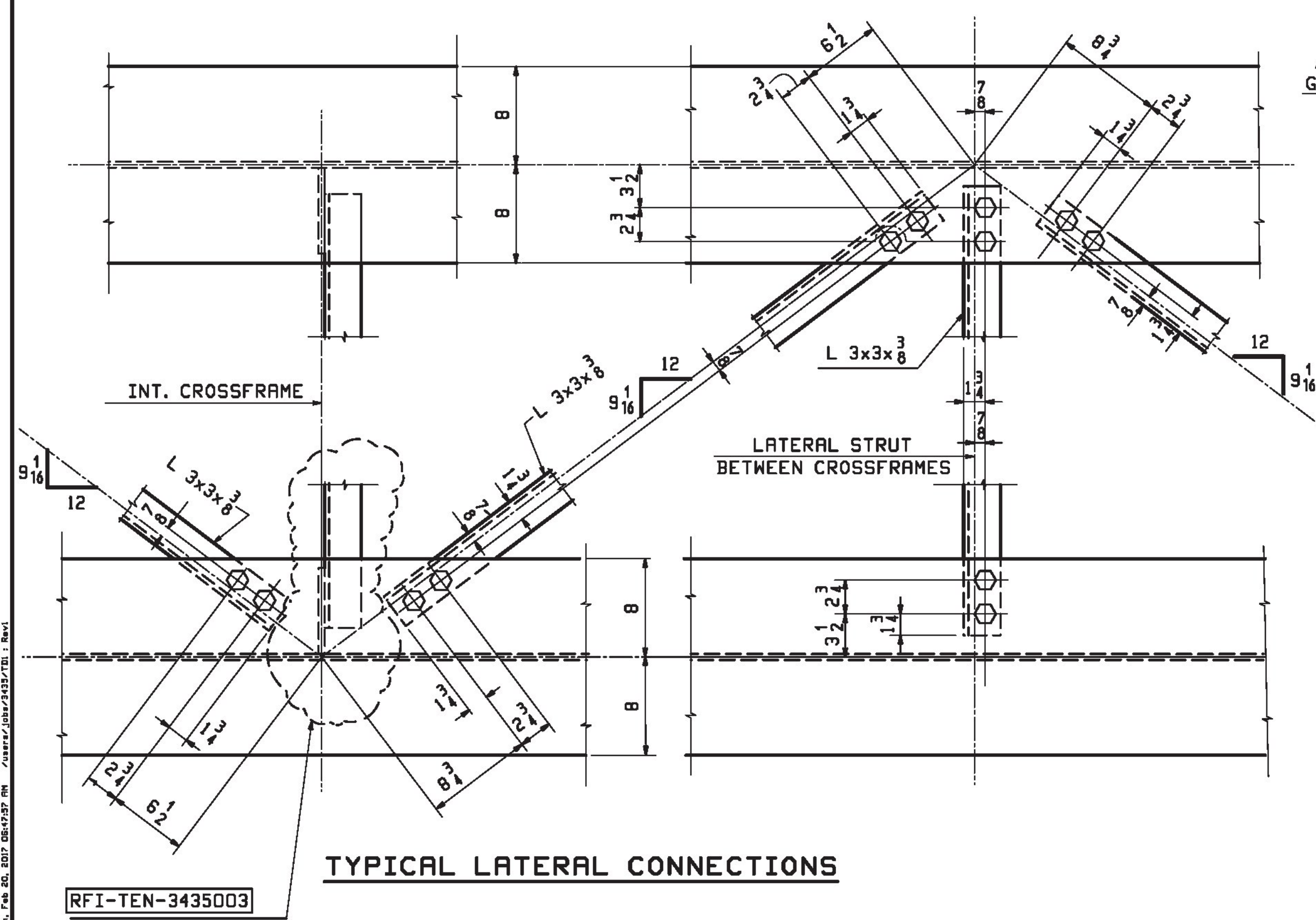
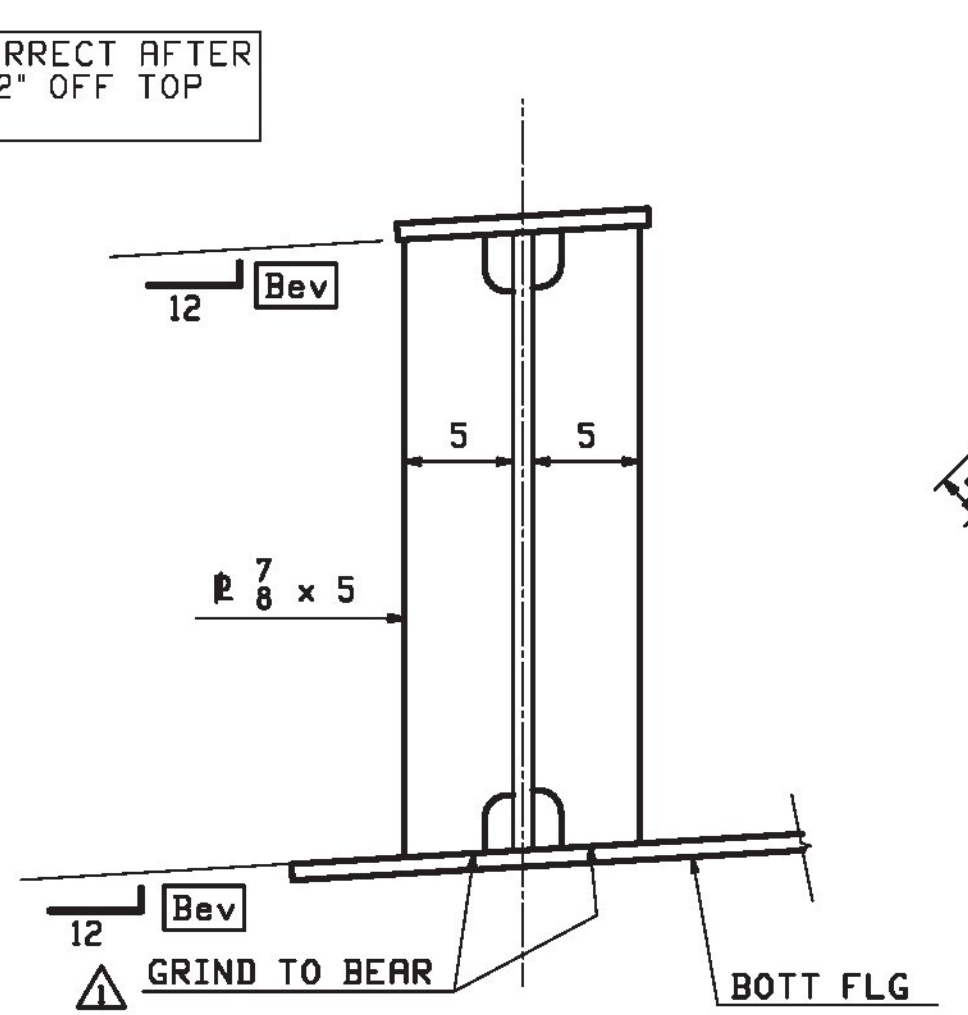


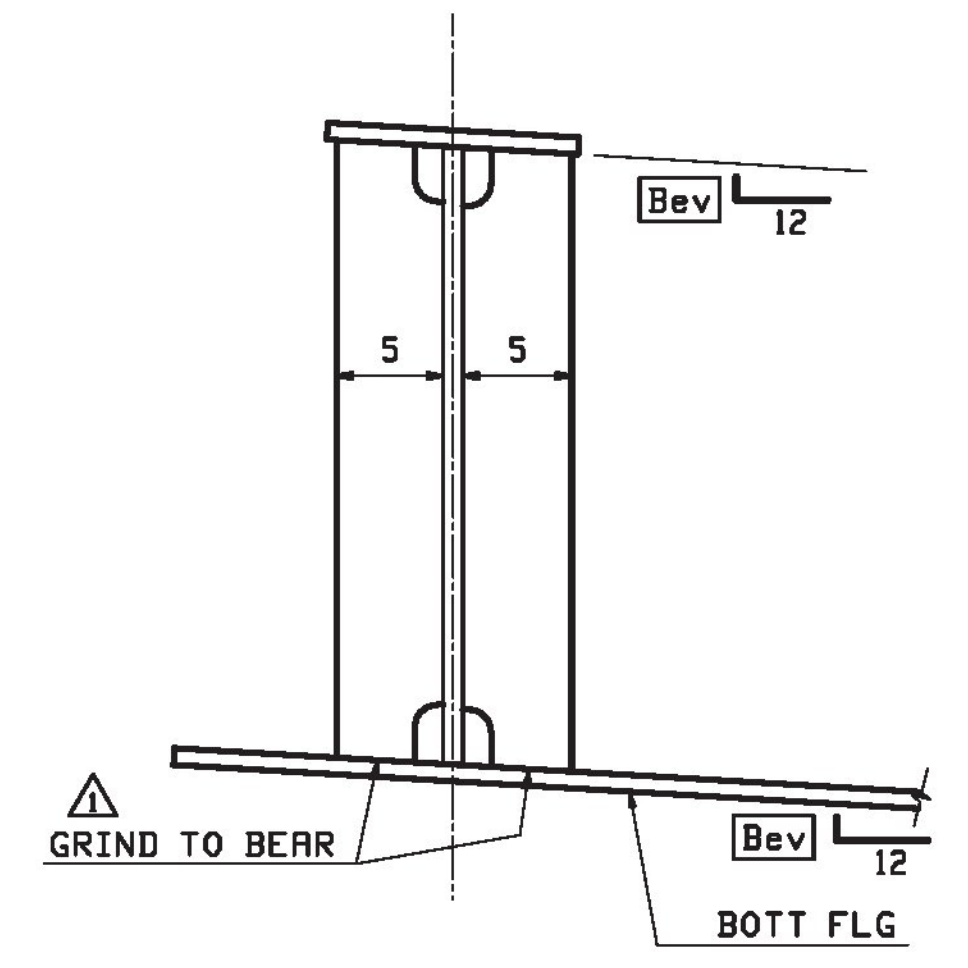
TYPICAL INTERMEDIATE CROSSFRAME



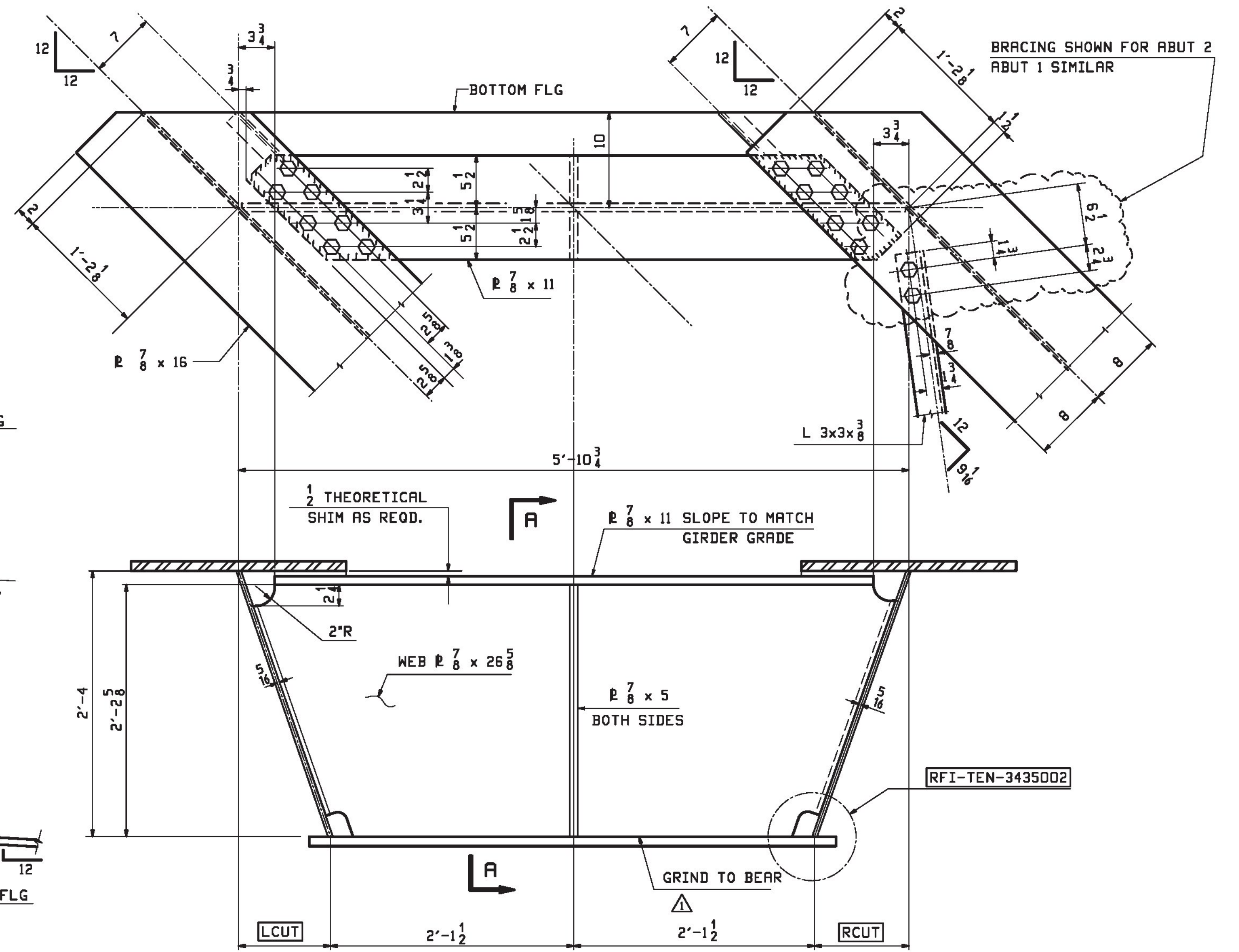
TYPICAL LATERAL CONNECTIONS



SECTION A - A  
AT ABUT 1



SECTION A - A  
AT ABUT 2



TYPICAL END DIAPHRAGM  
LOOKING TOWARD BACKWALL

LOCATION	LCUT	RCUT	Bev
Abut 1	9 1/2	10 1/4	1 8
Abut 2	10	9 3/4	1 16

Vermont Agency of Transportation  
**RECEIVED**  
CK'D BY TYLin OK'D BY TYLin  
March 8, 2017  
RESUBMIT No Approved  
BY Kristin Higgins DATE 3/10/2017

**T.Y. LIN INTERNATIONAL**  
THE STAMPED DOCUMENTS ARE HEREBY:  
 APPROVED  
 APPROVED AS NOTED  
 REVISE AND RESUBMIT  
 SEE TRANSMITTAL FOR ADDITIONAL INFORMATION AS APPLICABLE.  
 THIS REVIEW IS FOR GENERAL CONFORMANCE WITH DESIGN CONCEPT ONLY. ANY DEVIATION FROM THE PLANS OR SPECIFICATIONS NOT CLEARLY NOTED BY THE CONTRACTOR HAS NOT BEEN REVIEWED. REVIEW BY THE ENGINEER SHALL NOT RELIEVE THE CONTRACTOR OF THE CONTRACTUAL RESPONSIBILITY FOR ANY ERRORS OR DEVIATION FROM THE CONTRACT REQUIREMENTS.  
 JOSH OLUND REVIEWER March 10, 2017 DATE

NOTES:  
 HOLES: 15 1/16 (UN)  
 BOLTS: 7 8 A325-1 (UN)  
 MATL: M270-50

**\*\* NOTE \*\***  
 THE PURPOSE OF THIS DRAWING IS TO COORDINATE GEOMETRIC CONTROL INFORMATION AND CONNECTION SPACING. THIS DWG IS SUBMITTED FOR INFORMATION ONLY & IS NOT INTENDED FOR SHOP FABRICATION. DETAIL DWGS WILL SHOW ALL WELDING AND DIMENSIONS REQ'D FOR FABRICATION.

02/15	REVISED PER APPROVALS	RRL	WJL		
REV. DATE	REMARKS	DWN	CHK	APVL	SHOP
MATERIAL:	SURFACE PREP. & PAINT:	HOLES:	SHOP BOLTS:		
M270-50	SEE GNI	AS NOTED	AS NOTED		
DESCRIPTION:		TYPICAL DETAILS			
STRUCTURE:		VT ROUTE 110 OVER 1ST BRANCH WHITE RIVER BRIDGE NO. 9	DRAWN:	DATE:	
			WJG	11/28	
			CHKD:	DATE:	
			WL	12/06	
LOCATION:	TOWN OF CHELSEA, ORANGE COUNTY, VT.	JOB NO.	DWG NO.		
PROJ NO.	BHF 0169(9)	696	TD1		
CUSTOMER:	CPM CONSTRUCTORS		REV.	A	

CASCO BAY STEEL STRUCTURES, INC.  
 1 WALLACE AVE. PHONE (207) 780-6722  
 SOUTH PORTLAND, ME 04106 FAX. (207) 780-6726

15L 02/15/17 02:15:22 PM 1/16/17 10:43:02 AM