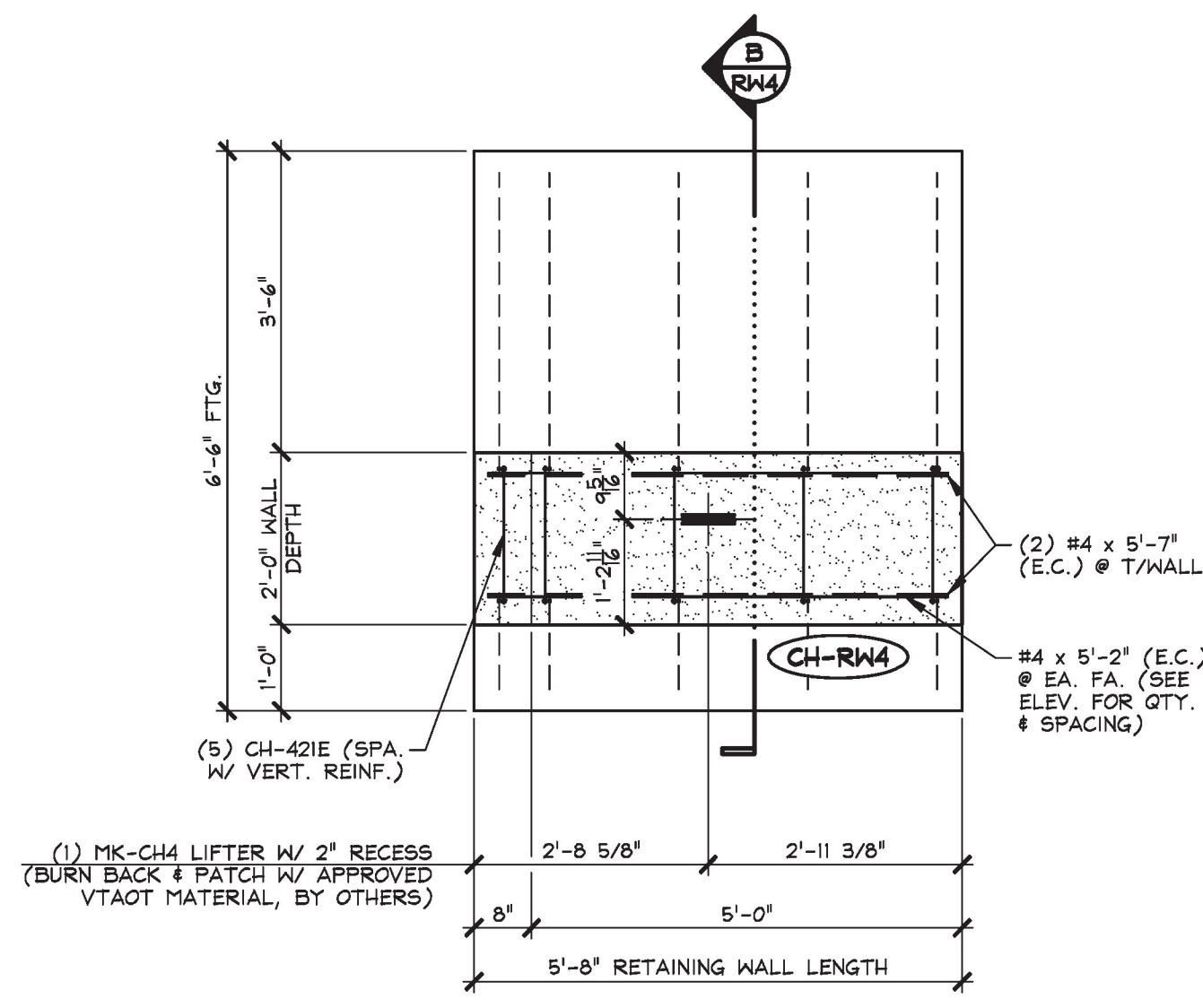
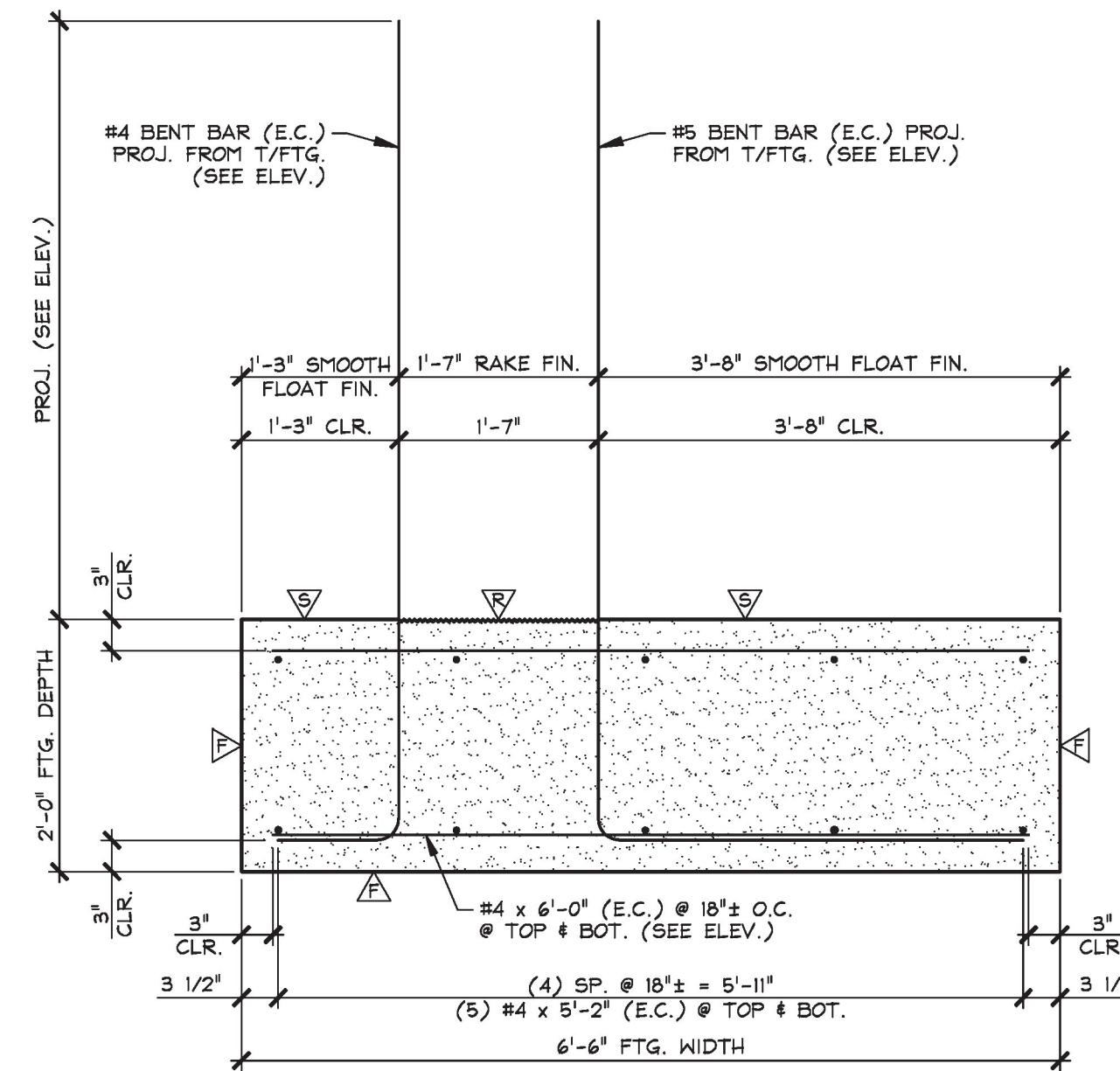


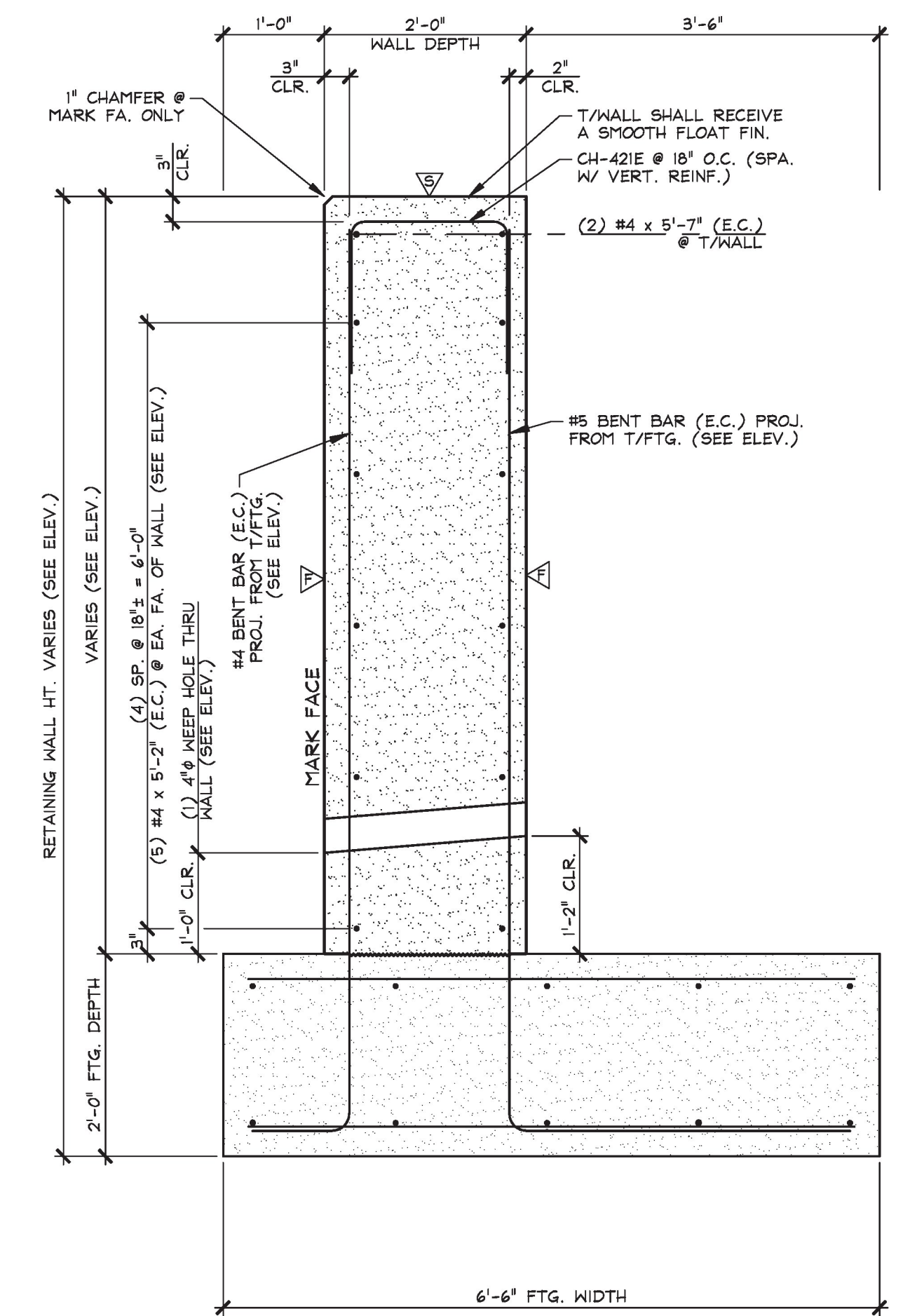
1 RETAINING WALL PLAN
RW4 (FIRST POUR) 1/2" = 1'-0"



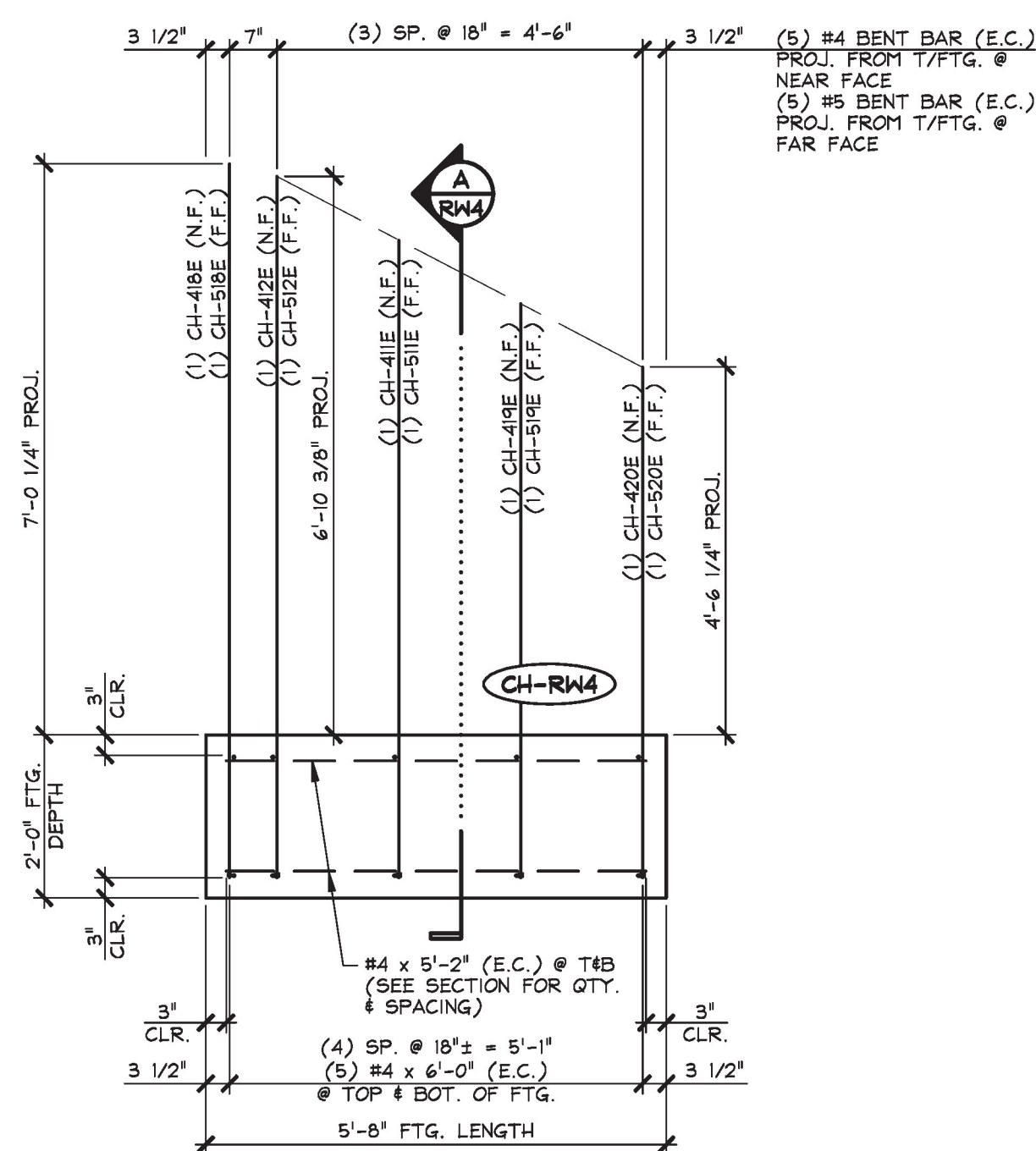
3 RETAINING WALL PLAN
RW4 (SECOND POUR) 1/2" = 1'-0"



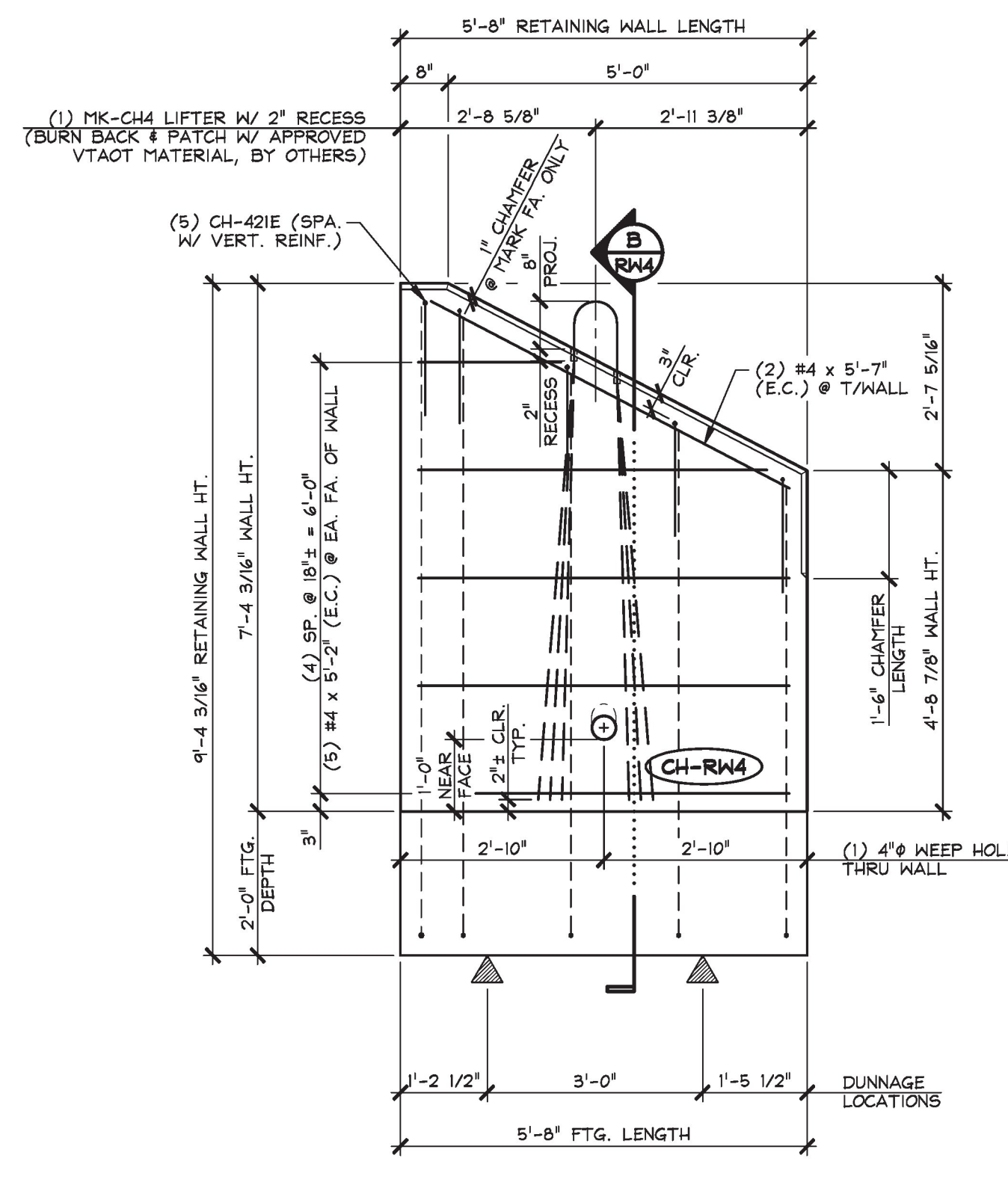
A RETAINING WALL SECTION
RW4 (FIRST POUR) 3/4" = 1'-0"



B RETAINING WALL SECTION
RW4 (SECOND POUR) 3/4" = 1'-0"



2 RETAINING WALL ELEVATION
RW4 (FIRST POUR) 1/2" = 1'-0"



4 RETAINING WALL ELEVATION
RW4 (SECOND POUR) 1/2" = 1'-0"

- △ DENOTES FORM FINISH
- ▽ DENOTES SMOOTH FLOAT FINISH
- ▽ DENOTES RAKE FINISH ROUGHENED TO 1/4" AMP.

SHOP NOTE:
28-DAY STRENGTH = 5,000 PSI
HANDLING STRENGTH = 3,500 PSI
DESIGN MIX #448M5CC

MARK:	CH-RW4	QTY.:	1	WT.:	1 ST POUR = 5.53 T 2 ND POUR = 5.27 T TOTAL = 10.80 T	VOL.:	1 ST POUR = 2.73 cy 2 ND POUR = 2.60 cy TOTAL = 5.33 cy
MATERIAL LIST / RETAINING WALL							
ITEM	MARK	DESCRIPTION	QTY.	ITEM	MARK	DESCRIPTION	QTY.
1	CH-41IE	#4 BENT BAR (EPOXY COATED)	1	11	CH-51IE	#5 BENT BAR (EPOXY COATED)	1
2	CH-412E	#4 BENT BAR (EPOXY COATED)	1	12	CH-512E	#5 BENT BAR (EPOXY COATED)	1
3	CH-418E	#4 BENT BAR (EPOXY COATED)	1	13	CH-518E	#5 BENT BAR (EPOXY COATED)	1
4	CH-419E	#4 BENT BAR (EPOXY COATED)	1	14	CH-519E	#5 BENT BAR (EPOXY COATED)	1
5	CH-420E	#4 BENT BAR (EPOXY COATED)	1	15	CH-520E	#5 BENT BAR (EPOXY COATED)	1
6	CH-421E	#4 BENT BAR (EPOXY COATED)	5	16			
7		#4 x 5'-2" (EPOXY COATED)	20	17			
8		#4 x 6'-0" (EPOXY COATED)	10	18	MK-CH4	SET OF (3) 0.60" STRAND LIFTING LOOPS	1
9		#4 x 5'-7" (EPOXY COATED)	2	19			
10				20			

T.Y. LIN INTERNATIONAL
THE STAMPED DOCUMENTS ARE HEREBY:
 APPROVED
 APPROVED AS NOTED
 REVISE AND RESUBMIT
 SEE TRANSMITTAL FOR ADDITIONAL INFORMATION AS APPLICABLE.
 THIS REVIEW IS FOR GENERAL CONFORMANCE WITH DESIGN CONCEPT ONLY. ANY DEVIATION FROM THE PLANS OR SPECIFICATIONS NOT CLEARLY NOTED BY THE CONTRACTOR HAS NOT BEEN REVIEWED. REVIEW BY THE ENGINEER SHALL NOT RELIEVE THE CONTRACTOR OF THE CONTRACTUAL RESPONSIBILITY FOR ANY ERRORS OR DEVIATION FROM THE CONTRACT REQUIREMENTS.
 JOSH OLUND REVIEWER
 March 29, 2017 DATE

APPROVAL STAMP:
 Vermont Agency of Transportation
Received
 CK'D BY TYLin OK'D BY TYLin
 March 28, 2017
 RESUBMIT No Approved
 BY Kristin Higgins DATE 3/31/2017

J.P. CARRARA & SONS INC.
 Precast & Prestress Manufacturer
 2464 CASE STR., MIDDLEBURY, VERMONT 05753 Phone: (802)388-6361 Fax: (802)388-9010
 STATE OF VERMONT AGENCY OF TRANSPORTATION
 COUNTY OF ORANGE
 TOWN OF CHELSEA
 VT ROUTE 110, RURAL MAJOR COLLECTOR
 BRIDGE NO.: 9 PROJECT NO.: BHF 0169(9)

CPM CONSTRUCTORS
 CONTRACTOR
 FREEPORT, MAINE
 DATE: FEB. 28, 2017
 SCALE: NOTED
 CHKD: - DFTM: B.L.
 JOB NO: 23505-016
 DWG. NO: RW4

PRECAST RETAINING WALL DETAILS
 BRIDGE 9

3-27-17 REVISED PER RE-DESIGN