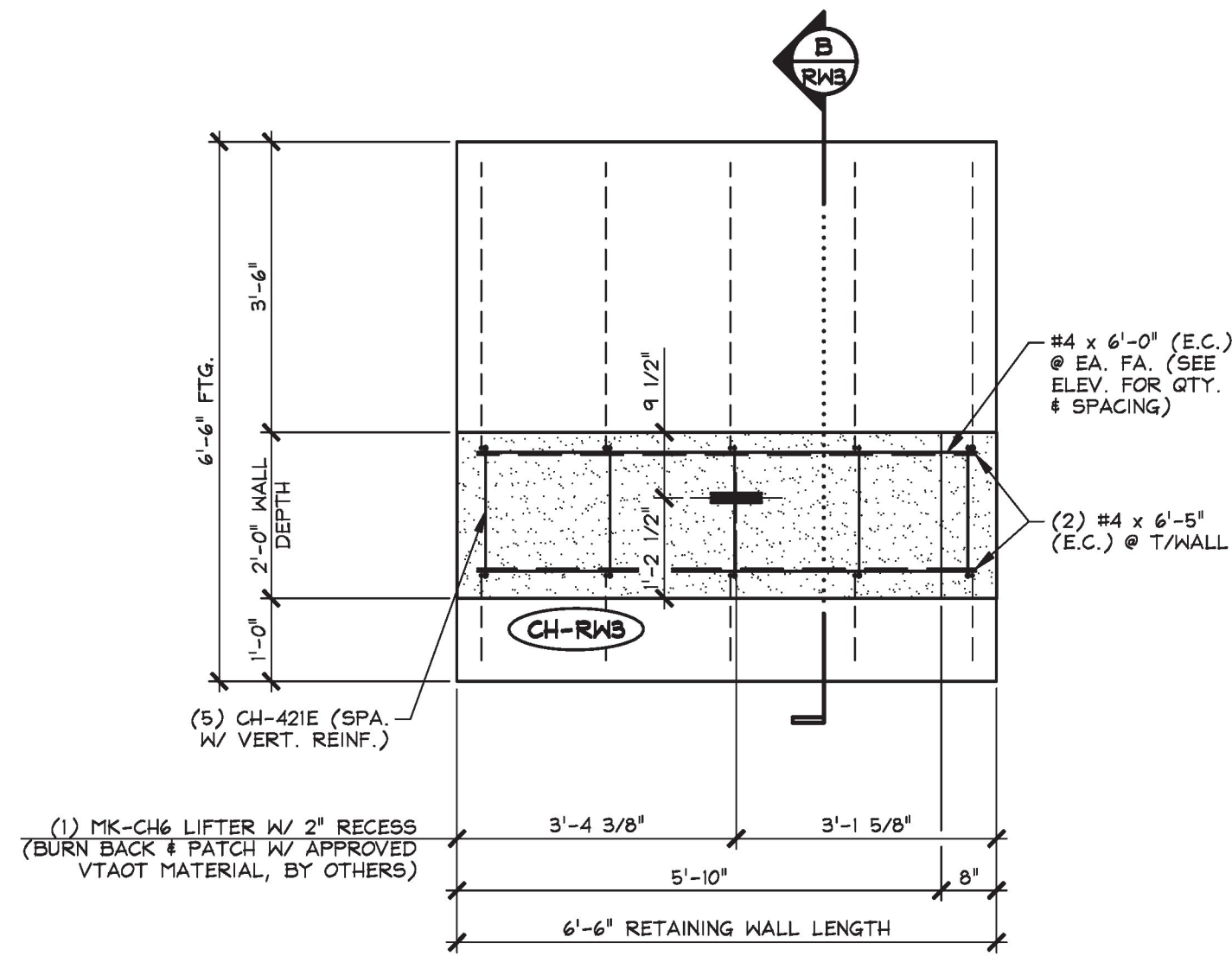
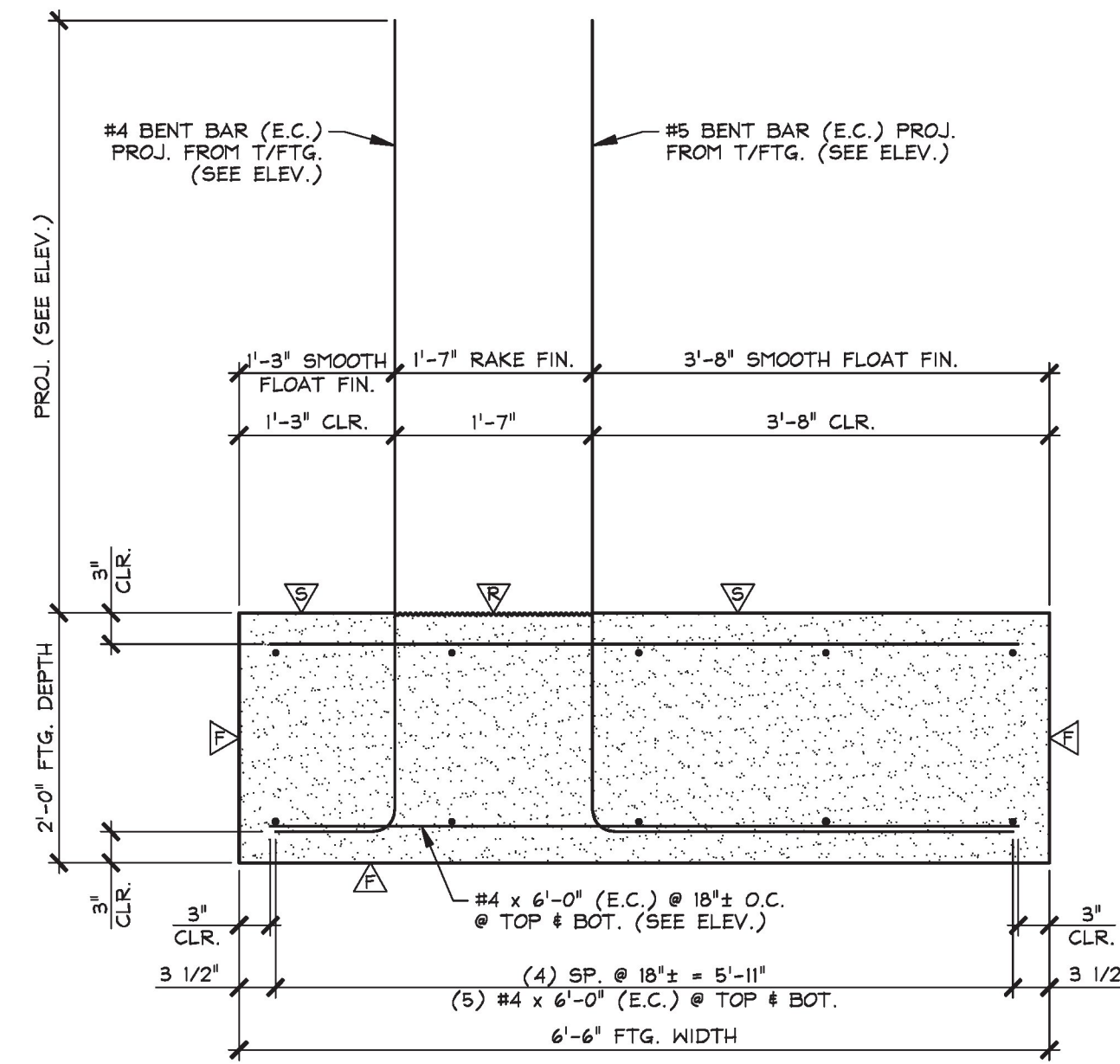


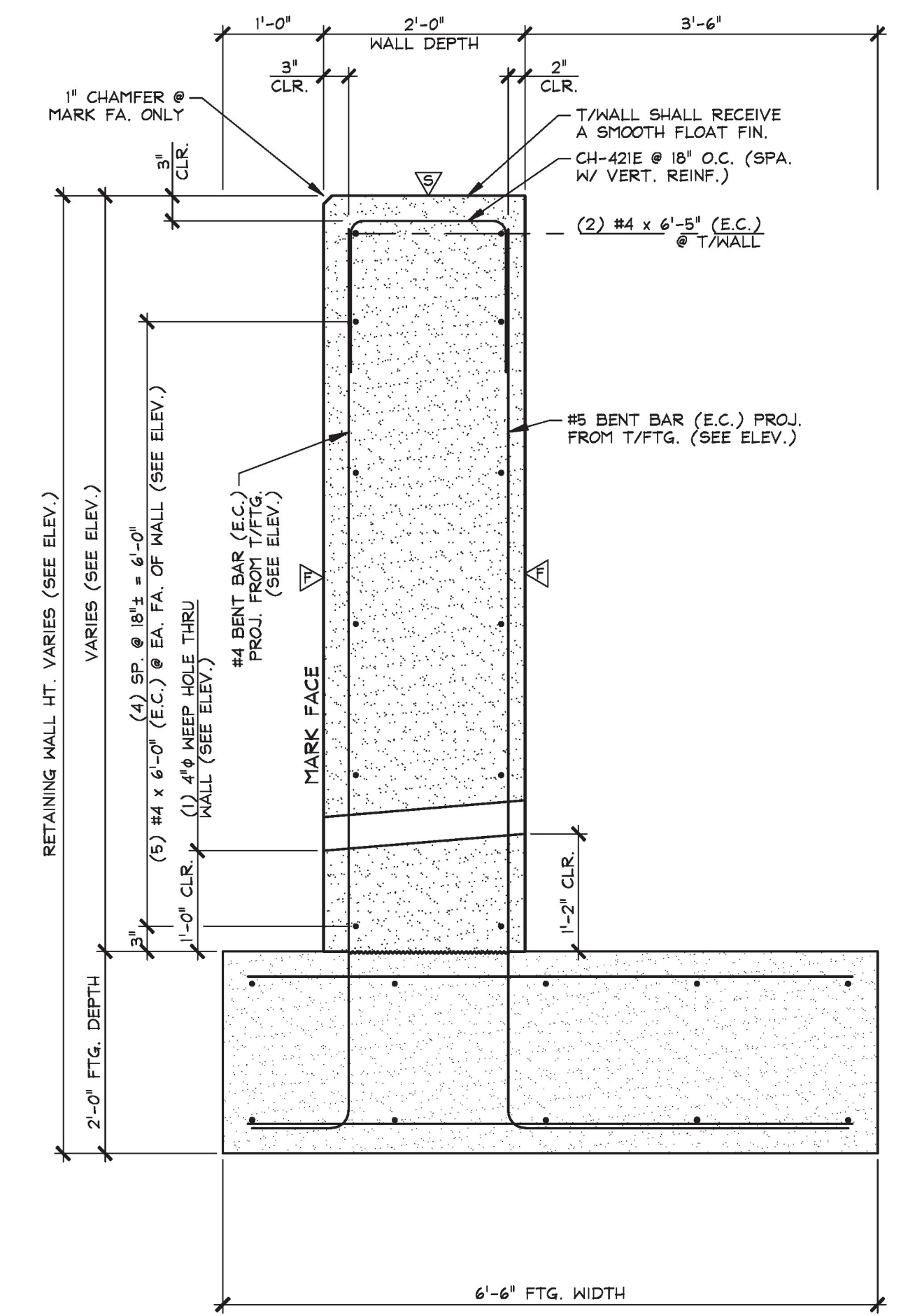
1 RETAINING WALL PLAN RW3 (FIRST POUR) 1/2" = 1'-0"



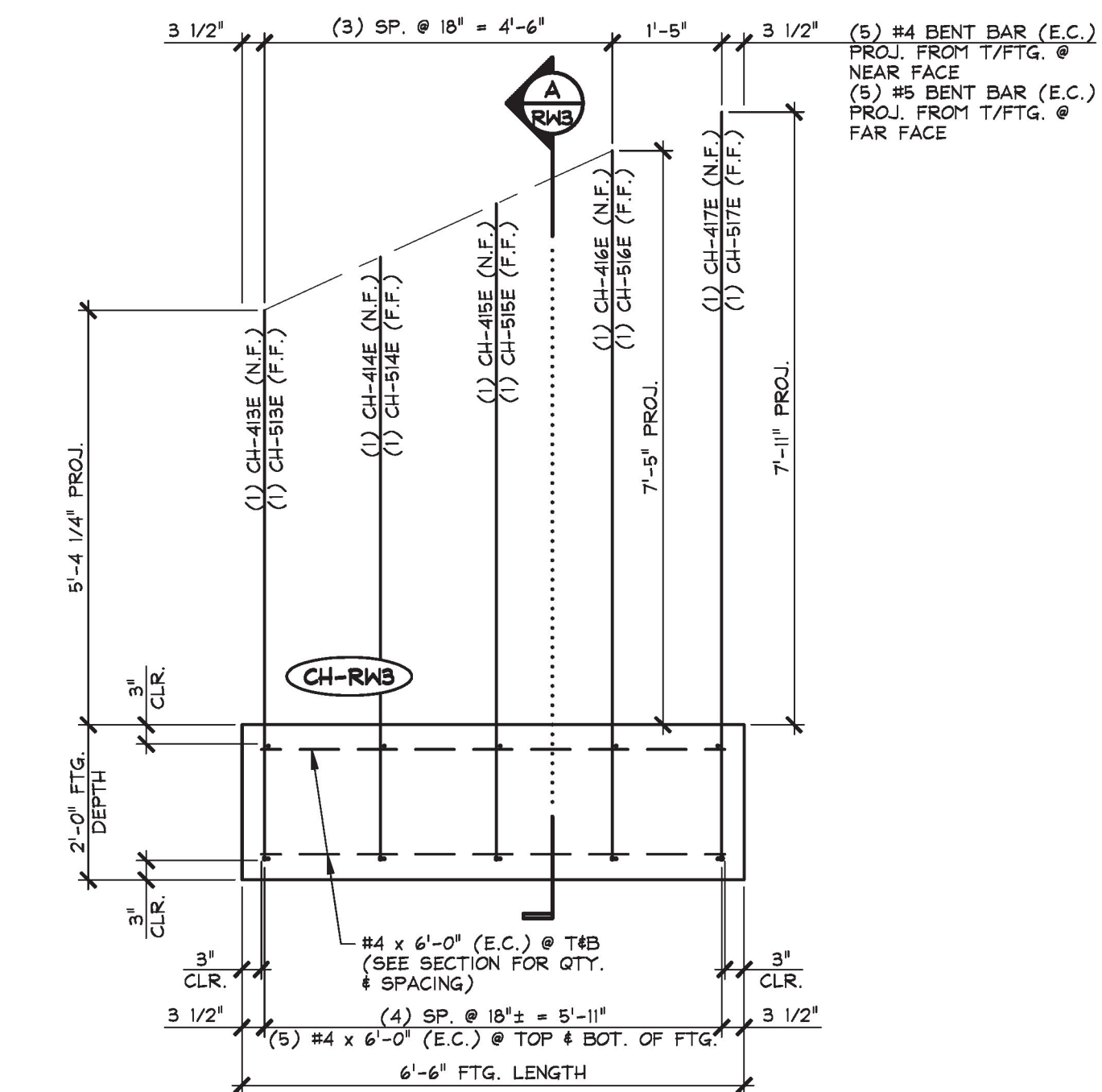
3 RETAINING WALL PLAN RW3 (SECOND POUR) 1/2" = 1'-0"



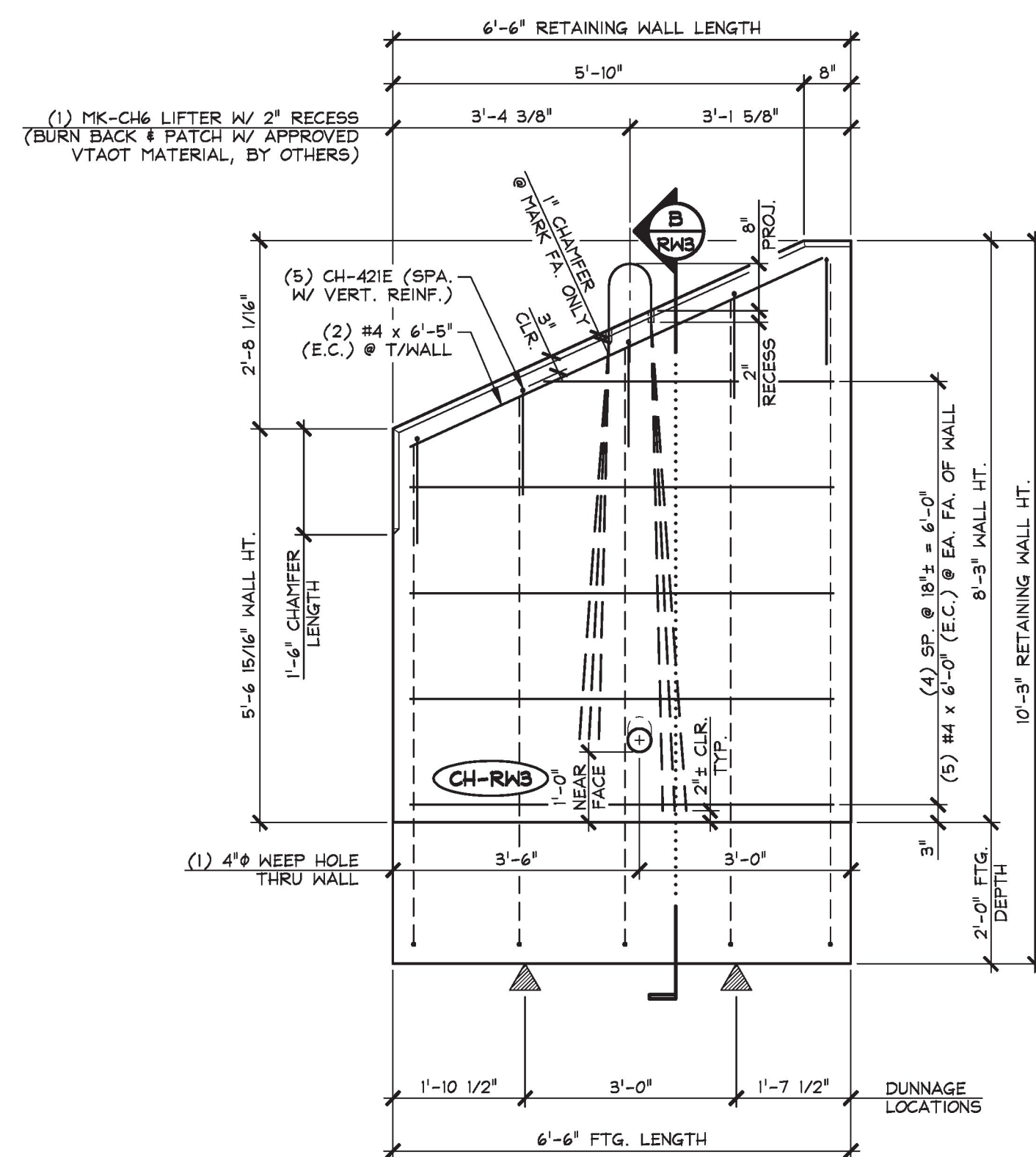
A RETAINING WALL SECTION RW3 (FIRST POUR) 3/4" = 1'-0"



B RETAINING WALL SECTION RW3 (SECOND POUR) 3/4" = 1'-0"



2 RETAINING WALL ELEVATION RW3 (FIRST POUR) 1/2" = 1'-0"



4 RETAINING WALL ELEVATION RW3 (SECOND POUR) 1/2" = 1'-0"

- △ DENOTES FORM FINISH
- ▽ DENOTES SMOOTH FLOAT FINISH
- ▽ DENOTES RAKE FINISH ROUGHENED TO 1/4" AMP.

SHOP NOTE:  
 28-DAY STRENGTH = 5,000 PSI  
 HANDLING STRENGTH = 3,500 PSI  
 DESIGN MIX #448M5CC

**T.Y. LIN INTERNATIONAL**  
 THE STAMPED DOCUMENTS ARE HEREBY:  
 -X- APPROVED  
 \_\_\_\_\_ APPROVED AS NOTED  
 \_\_\_\_\_ REVISE AND RESUBMIT  
 SEE TRANSMITTAL FOR ADDITIONAL INFORMATION AS APPLICABLE.  
 THIS REVIEW IS FOR GENERAL CONFORMANCE WITH DESIGN CONCEPT ONLY. ANY DEVIATION FROM THE PLANS OR SPECIFICATIONS NOT CLEARLY NOTED BY THE CONTRACTOR HAS NOT BEEN REVIEWED. REVIEW BY THE ENGINEER SHALL NOT RELIEVE THE CONTRACTOR OF THE CONTRACTUAL RESPONSIBILITY FOR ANY ERRORS OR DEVIATION FROM THE CONTRACT REQUIREMENTS.  
 JOSH OLUND REVIEWER March 29, 2017 DATE

MARK: CH-RW3	QTY.: 1	WT.: 1 <sup>ST</sup> POUR = 6.34 T 2 <sup>ND</sup> POUR = 6.88 T TOTAL = 13.22 T	VOL.: 1 <sup>ST</sup> POUR = 3.13 cy 2 <sup>ND</sup> POUR = 3.40 cy TOTAL = 6.53 cy				
MATERIAL LIST / RETAINING WALL							
ITEM	MARK	DESCRIPTION	QTY.	ITEM	MARK	DESCRIPTION	QTY.
1	CH-413E	#4 BENT BAR (EPOXY COATED)	1	11	CH-513E	#5 BENT BAR (EPOXY COATED)	1
2	CH-414E	#4 BENT BAR (EPOXY COATED)	1	12	CH-514E	#5 BENT BAR (EPOXY COATED)	1
3	CH-415E	#4 BENT BAR (EPOXY COATED)	1	13	CH-515E	#5 BENT BAR (EPOXY COATED)	1
4	CH-416E	#4 BENT BAR (EPOXY COATED)	1	14	CH-516E	#5 BENT BAR (EPOXY COATED)	1
5	CH-417E	#4 BENT BAR (EPOXY COATED)	1	15	CH-517E	#5 BENT BAR (EPOXY COATED)	1
6	CH-421E	#4 BENT BAR (EPOXY COATED)	5	16			
7		#4 x 6'-0" (EPOXY COATED)	30	17			
8		#4 x 6'-5" (EPOXY COATED)	2	18	MK-CH6	SET OF (3) 0.60" STRAND LIFTING LOOPS	1
9				19			
10				20			

APPROVAL STAMP:  
 Vermont Agency of Transportation  
**RECEIVED**  
 CK'D BY TYLin OK'D BY TYLin  
 March 28, 2017  
 RESUBMIT No Approved  
 By Kristin Higgins DATE 3/31/2017

**J.P. CARRARA & SONS INC.**  
 Precast & Prestress Manufacturer  
 2464 CASE STR., MIDDLEBURY, VERMONT 05753 Phone: (802)388-6361 Fax: (802)388-9010  
 STATE OF VERMONT AGENCY OF TRANSPORTATION  
 COUNTY OF ORANGE  
 TOWN OF CHelsea  
 VT ROUTE 110, RURAL MAJOR COLLECTOR  
 BRIDGE NO.: 9 PROJECT NO.: BHF 0169(9)  
 PRECAST RETAINING WALL DETAILS

CPM CONSTRUCTORS  
 CONTRACTOR  
 FREEPORT, MAINE  
 DATE: FEB. 28, 2017  
 SCALE: NOTED  
 CHKD: - DFTM: B.L.  
 JOB NO: 23505-016  
 DWG. NO: RW3  
 BRIDGE 9