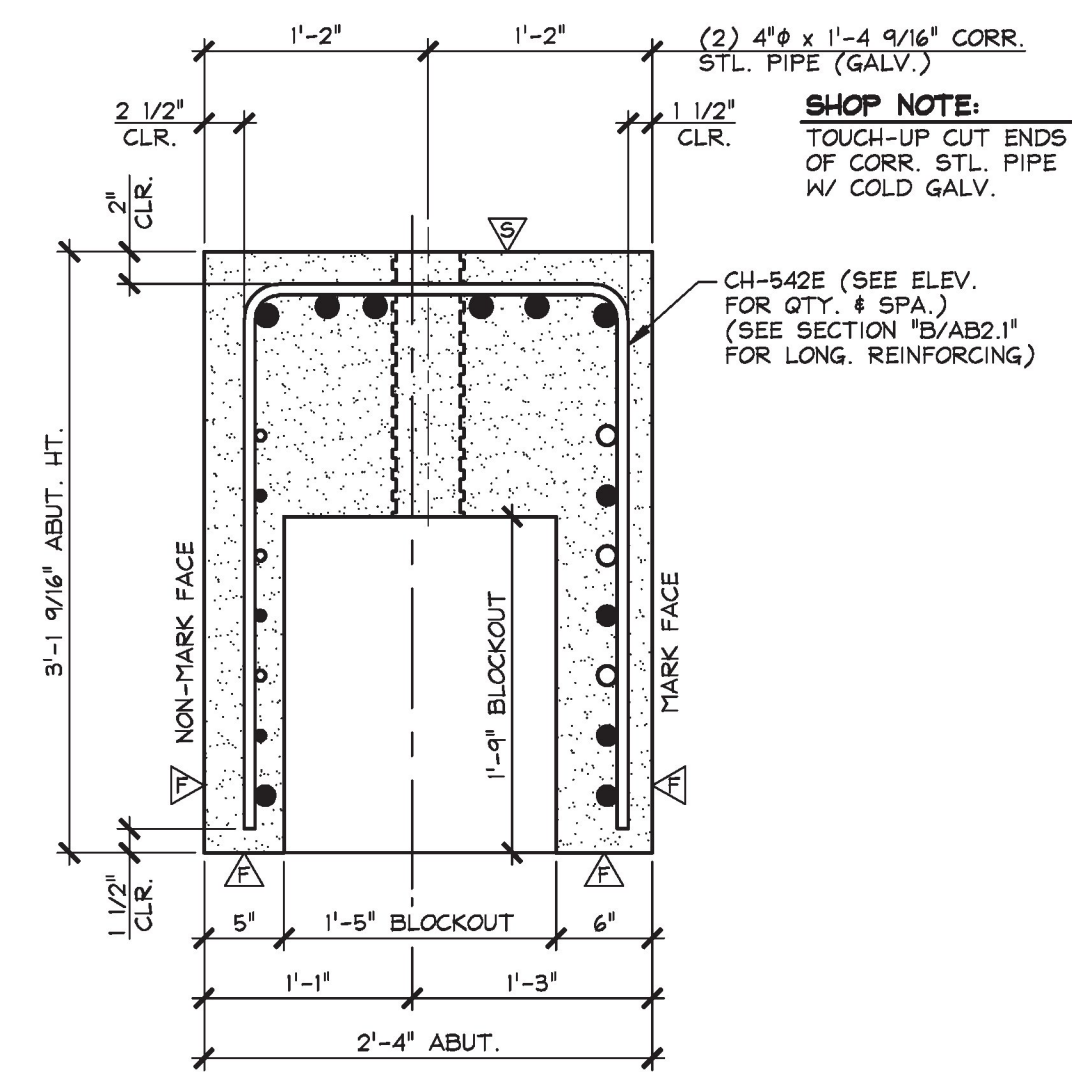
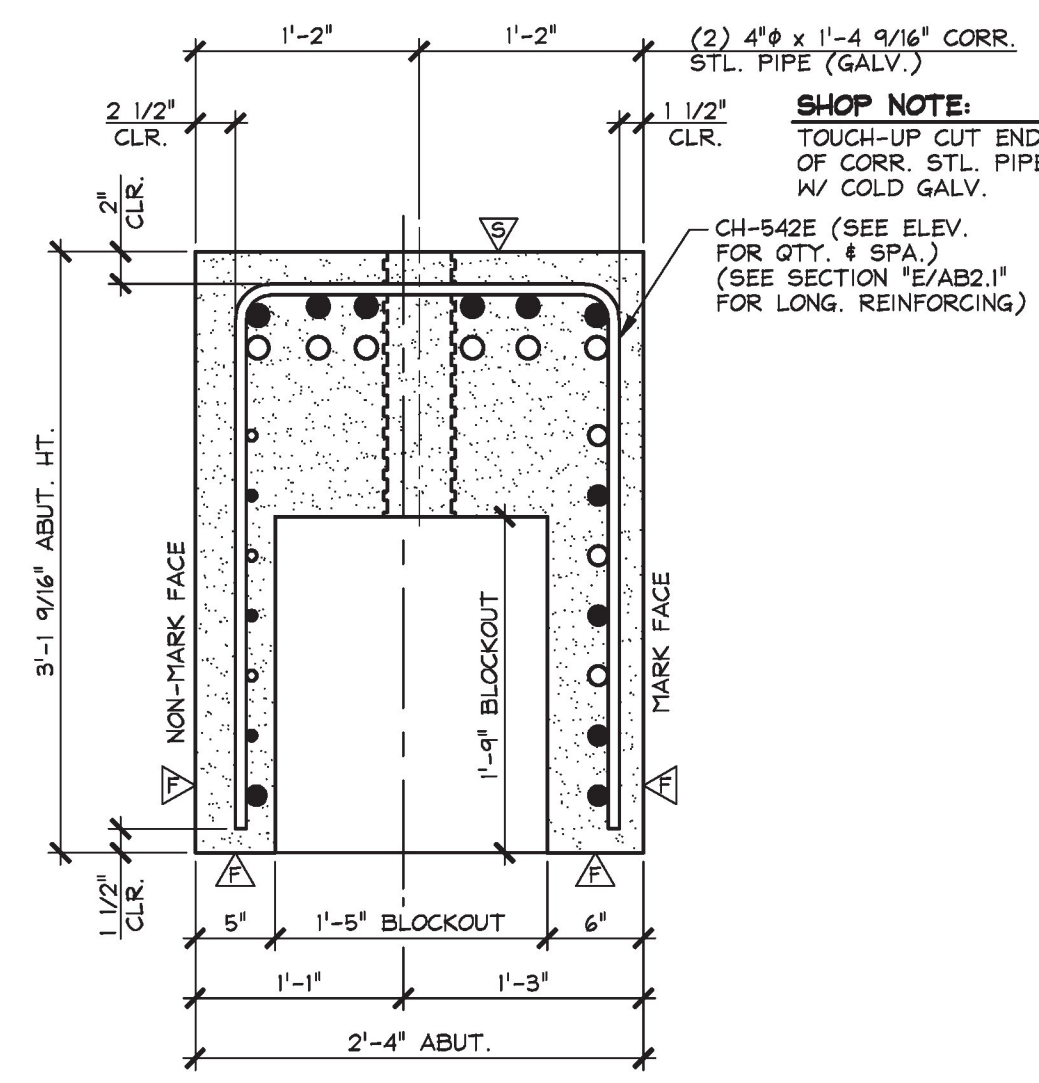


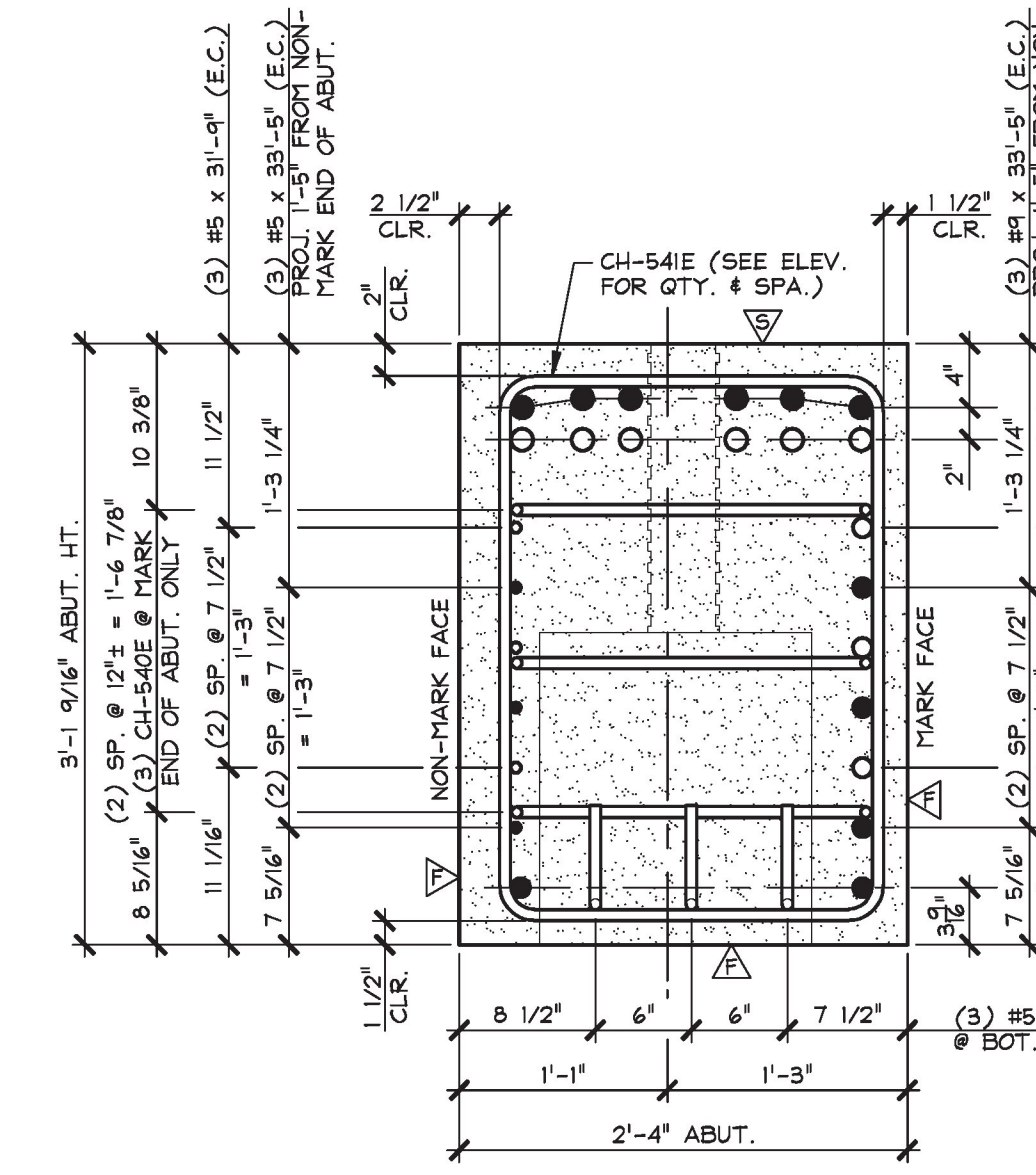
B ABUTMENT SECTION
AB2.1 @ 1'-0"



C ABUTMENT SECTION
AB2.1 @ BLOCKOUT @ 1'-0"



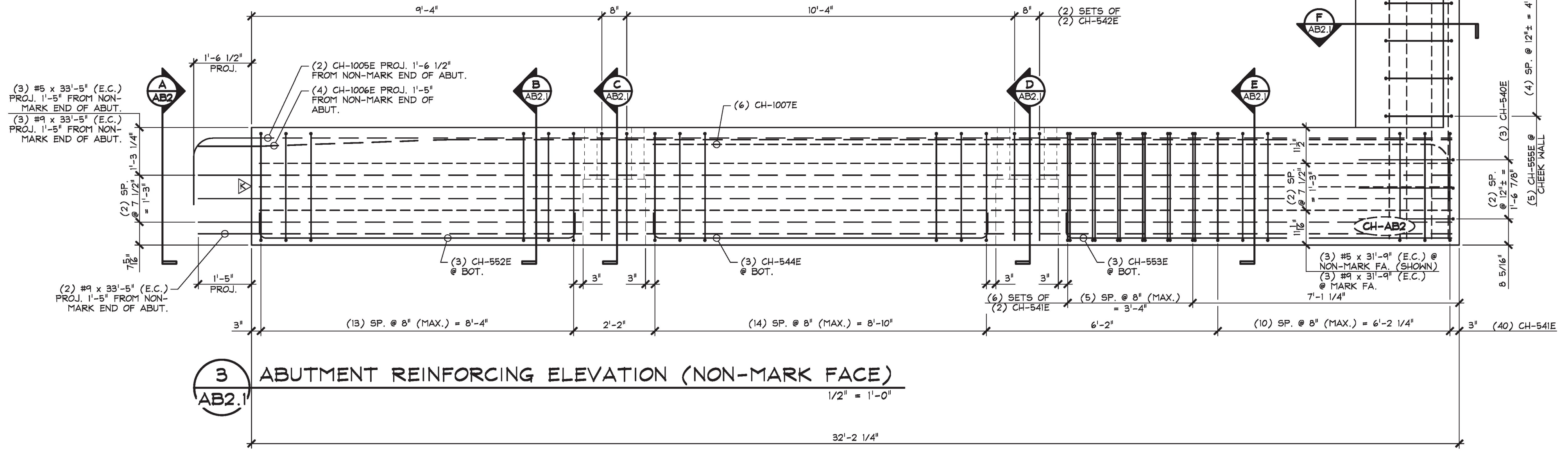
D ABUTMENT SECTION
AB2.1 @ BLOCKOUT @ 1'-0"



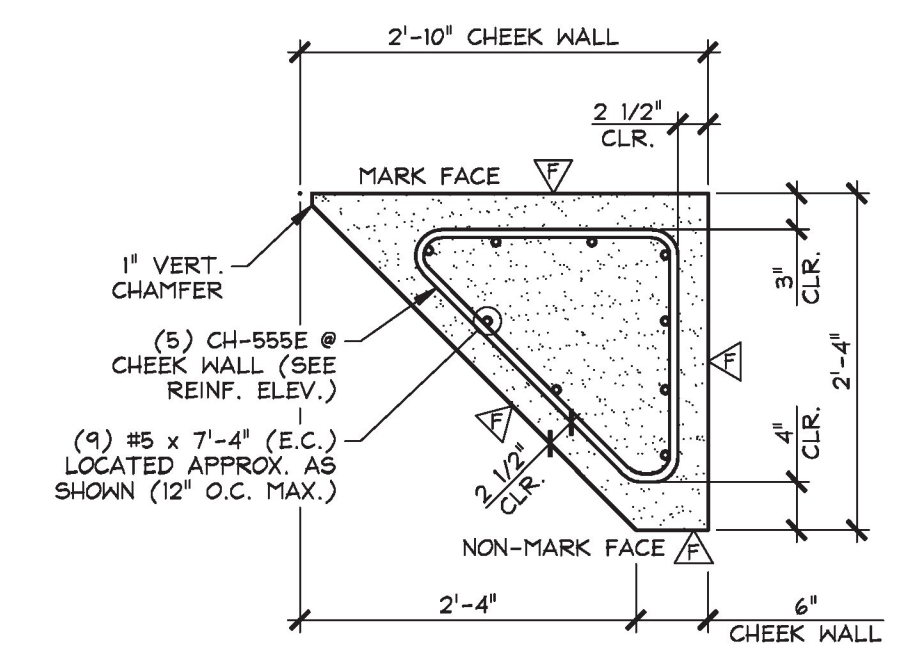
E ABUTMENT SECTION
AB2.1 @ 1'-0"

● DENOTES BARS TO PROJ. FROM NON-MARK END OF ABUTMENT
○ DENOTES BARS TO BE FULLY ENCASED WITHIN ABUTMENT

● DENOTES BARS TO PROJ. FROM NON-MARK END OF ABUTMENT
○ DENOTES BARS TO BE FULLY ENCASED WITHIN ABUTMENT



3 ABUTMENT REINFORCING ELEVATION (NON-MARK FACE)
AB2.1 @ 1'-0"



F CHEEK WALL DETAIL
AB2.1 @ 3/4"

△ DENOTES FORM FINISH
▽ DENOTES SMOOTH FLOAT FINISH
▲ DENOTES ROUGHENED FINISH (SEE GENERAL NOTE #9, SHEET 'F3')

SHOP NOTE:
28-DAY STRENGTH = 5,000 PSI
HANDLING STRENGTH = 3,500 PSI
DESIGN MIX #445M5CC

MARK: CH-AB2 QTY.: 1

MATERIAL LIST / ABUTMENT			
ITEM	MARK	DESCRIPTION	QTY.
1	CH-540E	#5 BENT BAR (EPOXY COATED)	3
2	CH-541E	#5 BENT BAR (EPOXY COATED)	40
3	CH-542E	#5 BENT BAR (EPOXY COATED)	4
4	CH-544E	#5 BENT BAR (EPOXY COATED)	3
5	CH-552E	#5 BENT BAR (EPOXY COATED)	3
6	CH-555E	#5 BENT BAR (EPOXY COATED)	3
7	CH-555E	#5 BENT BAR (EPOXY COATED)	5
8		#5 x 31'-9" (EPOXY COATED)	3
9		#5 x 33'-5" (EPOXY COATED)	3
10		#5 x 7'-4" (EPOXY COATED)	9
11			
12		#9 x 33'-5" (EPOXY COATED)	5
13		#9 x 31'-9" (EPOXY COATED)	3
14			
15	CH-1005E	#10 BENT BAR (EPOXY COATED)	2
16	CH-1006E	#10 BENT BAR (EPOXY COATED)	4
17	CH-1007E	#10 BENT BAR (EPOXY COATED)	6
18			
19			
20			

T.Y. LIN INTERNATIONAL
THE STAMPED DOCUMENTS ARE HEREBY:
X APPROVED
APPROVED AS NOTED
REVISE AND RESUBMIT

SEE TRANSMITTAL FOR ADDITIONAL INFORMATION AS APPLICABLE.

THIS REVIEW IS FOR GENERAL CONFORMANCE WITH DESIGN CONCEPT ONLY. ANY DEVIATION FROM THE PLANS OR SPECIFICATIONS NOT CLEARLY NOTED BY THE CONTRACTOR HAS NOT BEEN REVIEWED. REVIEW BY THE ENGINEER SHALL NOT RELIEVE THE CONTRACTOR OF THE CONTRACTUAL RESPONSIBILITY FOR ANY ERRORS OR DEVIATION FROM THE CONTRACT REQUIREMENTS.

JOSH OLUND REVIEWER February 24, 2017 DATE

APPROVAL STAMP:
Vermont Agency of Transportation
RECEIVED
CK'D BY TYLin OK'D BY TYLin
February 27, 2017
RESUBMIT No Approved
BY Kristin Higgins DATE 2/28/2017

J.P. CARRARA & SONS INC.
Precast & Prestress Manufacturer
2484 CASE STR., MIDDLEBURY, VERMONT 05753 Phone:(802)388-6361 Fax:(802)388-9010

STATE OF VERMONT AGENCY OF TRANSPORTATION
COUNTY OF ORANGE

TOWN OF CHelsea
VT ROUTE 110, RURAL MAJOR COLLECTOR
BRIDGE NO.: 9 PROJECT NO.: BHF 0169(9)

PRECAST ABUTMENT REINFORCING DETAILS

CPM CONSTRUCTORS CONTRACTOR
FREEPORT, MAINE

DATE: NOV. 29, 2016
SCALE: NOTED
CHKD: M.W. DFTM: B.L.
JOB NO: 23505-016
DWG. NO: AB2.1
BRIDGE 9