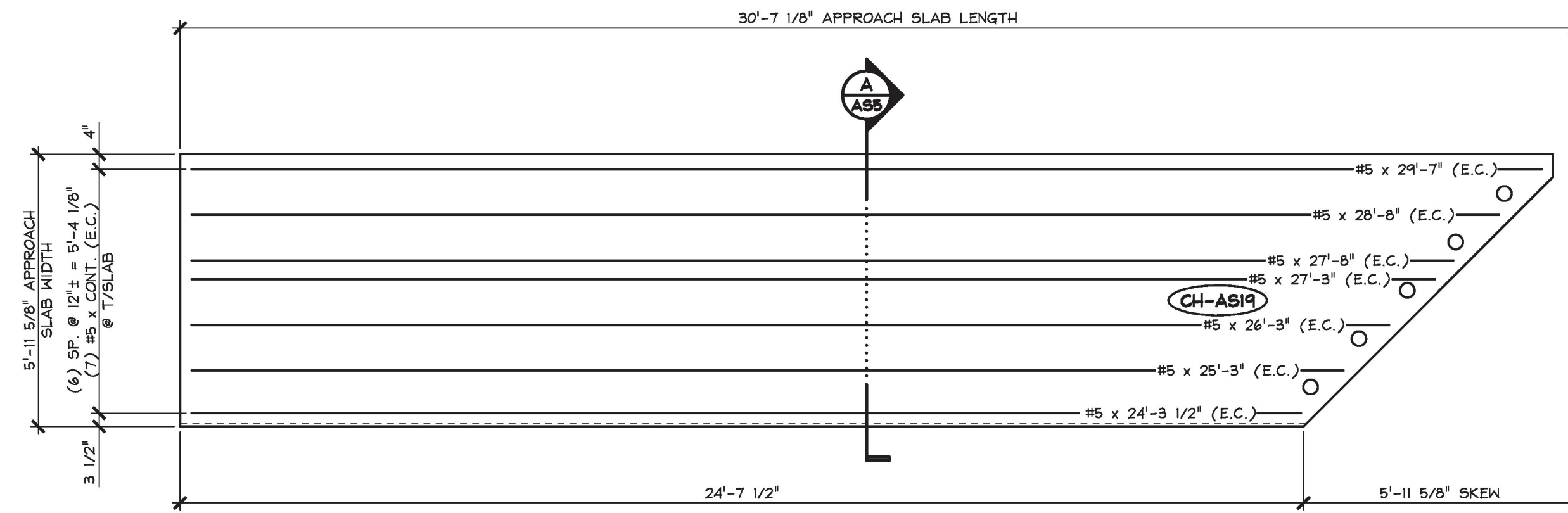
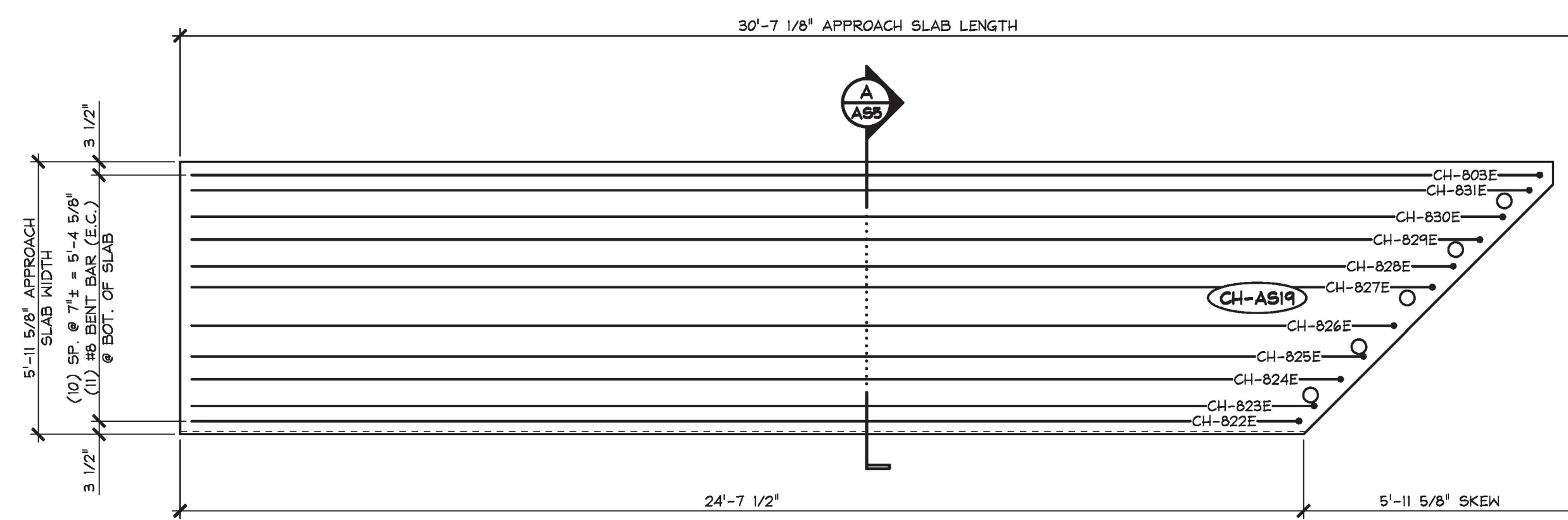


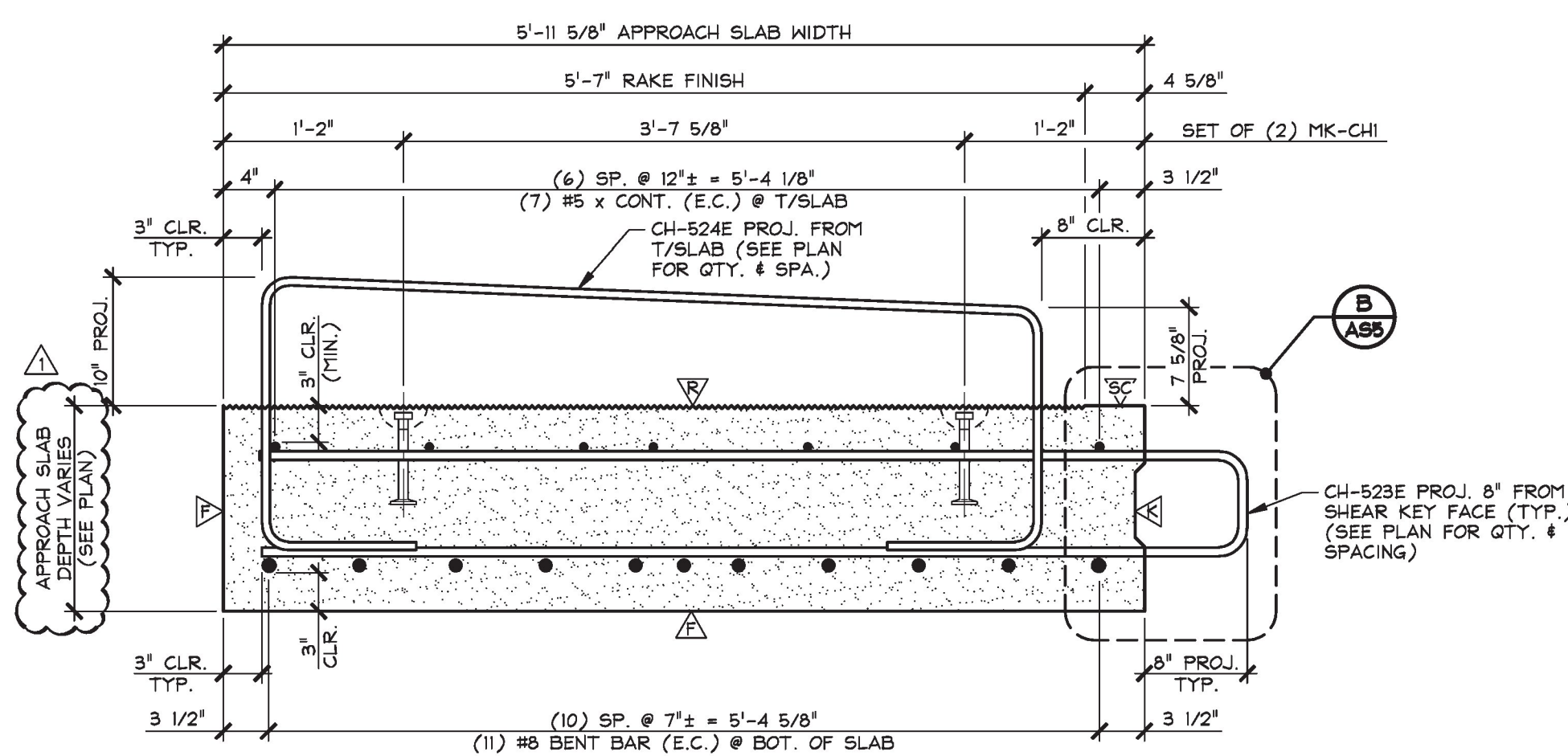
1 PLAN VIEW IN FORM
AS5
3/8" = 1'-0"



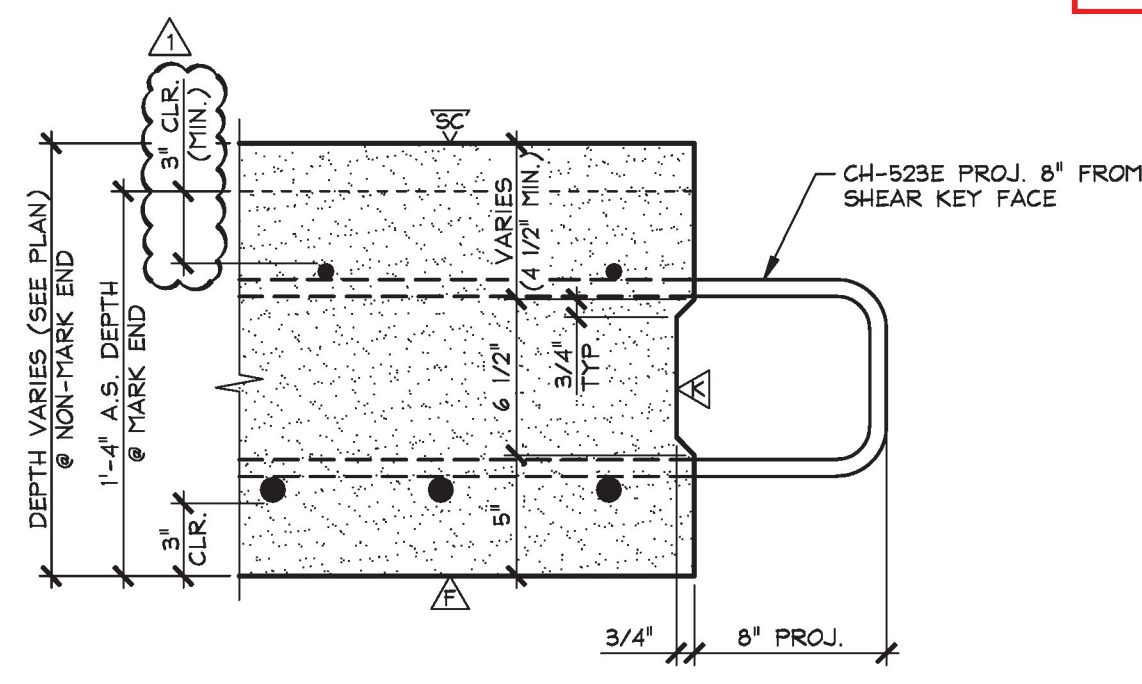
2 LONGITUDINAL REINFORCING PLAN
AS5 TOP MAT
3/8" = 1'-0"



3 LONGITUDINAL REINFORCING PLAN
AS5 BOTTOM MAT
3/8" = 1'-0"



A TRANSVERSE SECTION
AS5
1" = 1'-0"



B SHEAR KEY SECTION
AS5
1 1/2" = 1'-0"

- △ DENOTES FORM FINISH
- ▽ DENOTES SMOOTH SCREED FINISH
- △ DENOTES ROUGHENED FINISH (SEE GENERAL NOTE #9, SHEET 'F1')
- ▽ DENOTES RAKE FINISH ROUGHENED TO 1/4" AMPLITUDE

SHOP NOTE:
28-DAY STRENGTH = 5,000 PSI
HANDLING STRENGTH = 3,000 PSI
DESIGN MIX #448M5CC

T.Y. LIN INTERNATIONAL
THE STAMPED DOCUMENTS ARE HEREBY:
X APPROVED
APPROVED AS NOTED
REVISE AND RESUBMIT
SEE TRANSMITTAL FOR ADDITIONAL INFORMATION AS APPLICABLE.
THIS REVIEW IS FOR GENERAL CONFORMANCE WITH DESIGN CONCEPT ONLY. ANY DEVIATION FROM THE PLANS OR SPECIFICATIONS NOT CLEARLY NOTED BY THE CONTRACTOR HAS NOT BEEN REVIEWED. REVIEW BY THE ENGINEER SHALL NOT RELIEVE THE CONTRACTOR OF THE CONTRACTUAL RESPONSIBILITY FOR ANY ERRORS OR DEVIATION FROM THE CONTRACT REQUIREMENTS.
JOSH OLUND February 24, 2017
REVIEWER DATE

MARK: CH-AS19 QTY.: 1 WT.: 16.72 T VOL.: 8.26 cy

MATERIAL LIST / APPROACH SLAB							
ITEM	MARK	DESCRIPTION	QTY.	ITEM	MARK	DESCRIPTION	QTY.
1	CH-523E	#5 BENT BAR (EPOXY COATED)	24	16	#5 x 24'-7" (E.C.)		1
2	CH-524E	#5 BENT BAR (EPOXY COATED)	24	17	CH-803E	#6 BENT BAR (EPOXY COATED)	1
3	CH-525E	#5 BENT BAR (EPOXY COATED)	2	18	CH-822E	#6 BENT BAR (EPOXY COATED)	1
4	CH-526E	#5 BENT BAR (EPOXY COATED)	1	19	CH-823E	#6 BENT BAR (EPOXY COATED)	1
5	CH-527E	#5 BENT BAR (EPOXY COATED)	1	20	CH-824E	#6 BENT BAR (EPOXY COATED)	1
6	CH-528E	#5 BENT BAR (EPOXY COATED)	1	21	CH-825E	#6 BENT BAR (EPOXY COATED)	1
7	CH-529E	#5 BENT BAR (EPOXY COATED)	1	22	CH-826E	#6 BENT BAR (EPOXY COATED)	1
8	#5 x 5'-5 1/2"	(EPOXY COATED)	2	23	CH-827E	#6 BENT BAR (EPOXY COATED)	1
9	#5 x 5'-0"	(EPOXY COATED)	10	24	CH-828E	#6 BENT BAR (EPOXY COATED)	1
10	#5 x 29'-7"	(EPOXY COATED)	1	25	CH-829E	#6 BENT BAR (EPOXY COATED)	1
11	#5 x 28'-8"	(EPOXY COATED)	1	26	CH-830E	#6 BENT BAR (EPOXY COATED)	1
12	#5 x 27'-8"	(EPOXY COATED)	1	27	CH-831E	#6 BENT BAR (EPOXY COATED)	1
13	#5 x 27'-3"	(EPOXY COATED)	1	28	MK-CHI	8T x 10' SWIFT LIFT LIFTER (GALV.)	4
14	#5 x 26'-3"	(EPOXY COATED)	1	29	4" I.D. x 1'-4" PVC SLEEVE		5
15	#5 x 25'-3"	(EPOXY COATED)	1	30			

APPROVAL STAMP:
Vermont Agency of Transportation
RECEIVED
CK'D BY TYLin OK'D BY TYLin
February 27, 2017
RESUBMIT No Approved
BY Kristin Higgins DATE 2/28/2017

J.P. CARRARA & SONS INC.
Precast & Prestress Manufacturer
2464 CASE STR., MIDDLEBURY, VERMONT 05753 Phone: (802)388-6361 Fax: (802)388-9010
STATE OF VERMONT AGENCY OF TRANSPORTATION
COUNTY OF ORANGE
TOWN OF CHelsea
VT ROUTE 110, RURAL MAJOR COLLECTOR
BRIDGE NO.: 9 PROJECT NO.: BHF 0169(9)

CPM CONSTRUCTORS
CONTRACTOR
FREEPORT, MAINE
DATE: NOV. 29, 2016
SCALE: NOTED
CHKD: A.S. DFTM: B.L.
JOB NO: 23505-016

PRECAST APPROACH SLAB DETAILS
DWG. NO: AS5
BRIDGE 9

2-22-17 REVISED AS NOTED

F:\VT-Edgeline\23505-16 Chelsea\Bridges 918R9-AS5.dwg, 2/22/2017 4:56:07 PM