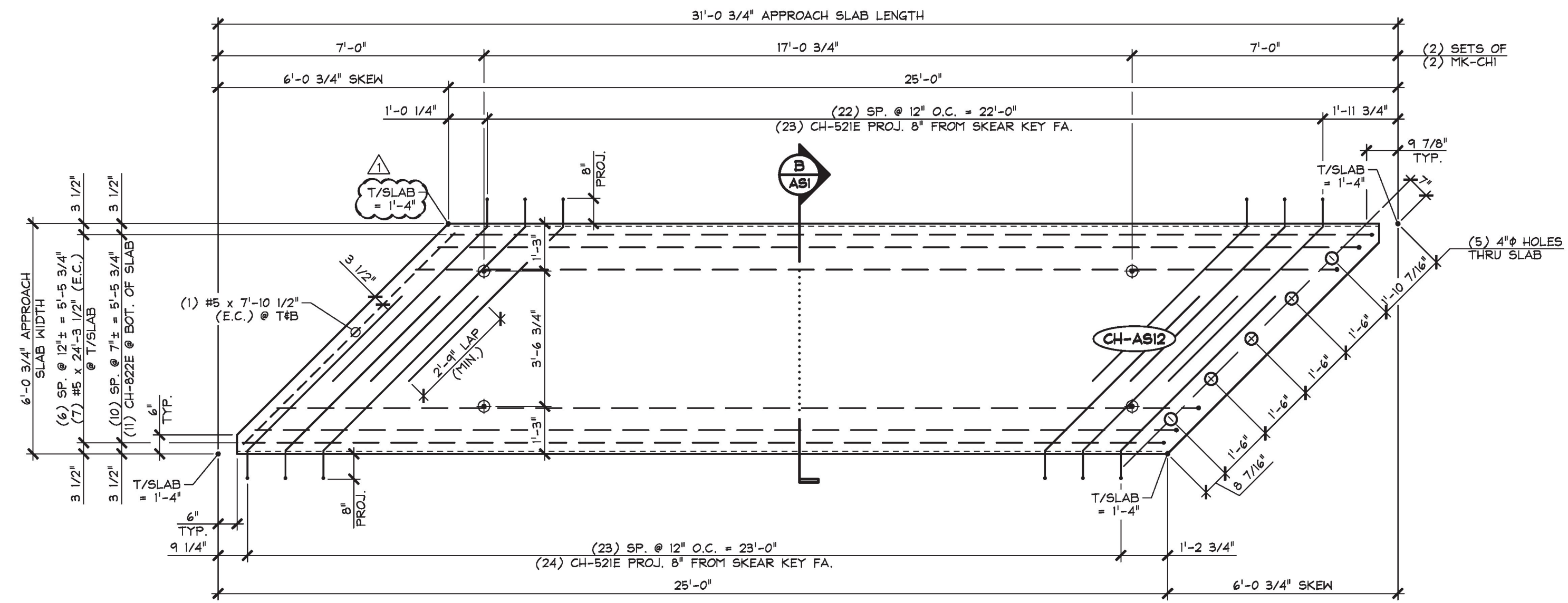
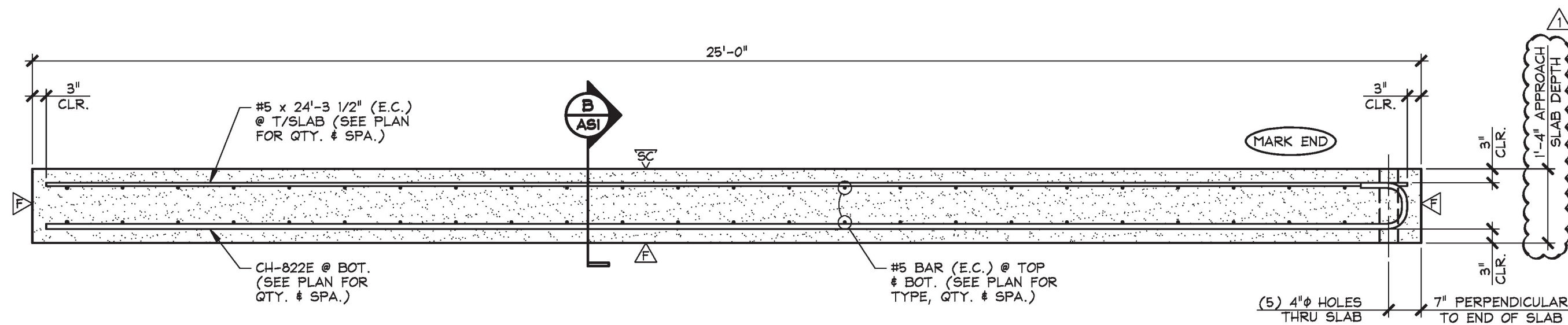


1 PLAN VIEW IN FORM
ASI
3/8" = 1'-0"



2 PLAN VIEW IN FORM
ASI
3/8" = 1'-0"



A LONGITUDINAL SECTION
ASI
1/2" = 1'-0"

- △ DENOTES FORM FINISH
- ▽ DENOTES SMOOTH SCREED FINISH
- ▲ DENOTES ROUGHENED FINISH (SEE GENERAL NOTE #9, SHEET "P")

SHOP NOTE:
28-DAY STRENGTH = 5,000 PSI
HANDLING STRENGTH = 3,000 PSI
DESIGN MIX #445MBC

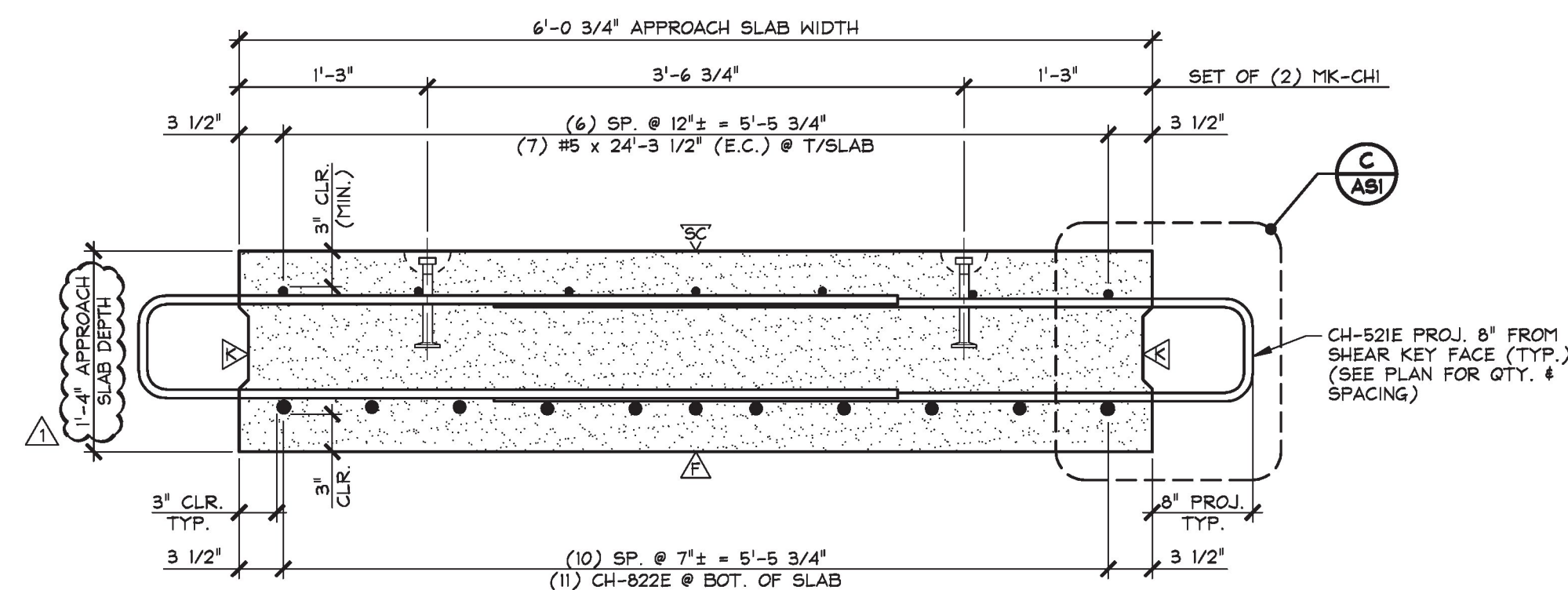
MARK:	CH-AS11	QTY.:	1	WT.:	15.04 T	VOL.:	7.43 cy
MARK:	CH-AS12	QTY.:	1	WT.:	15.04 T	VOL.:	7.43 cy

MATERIAL LIST / APPROACH SLAB				
ITEM	MARK	DESCRIPTION	QTY./SLAB	
			AS11	AS12
1	CH-521E	#5 BENT BAR (EPOXY COATED)	47	47
2		#5 x 7'-10 1/2' (EPOXY COATED)	2	2
3		#5 x 24'-3 1/2' (EPOXY COATED)	7	7
4				
5	CH-822E	#8 BENT BAR (EPOXY COATED)	11	11
6				
7	MK-CHI	8T x 10' SWIFT LIFT LIFTER (GALV.)	4	4
8		4" I.D. x 1'-4" PVC SLEEVE	5	5
9				
10				

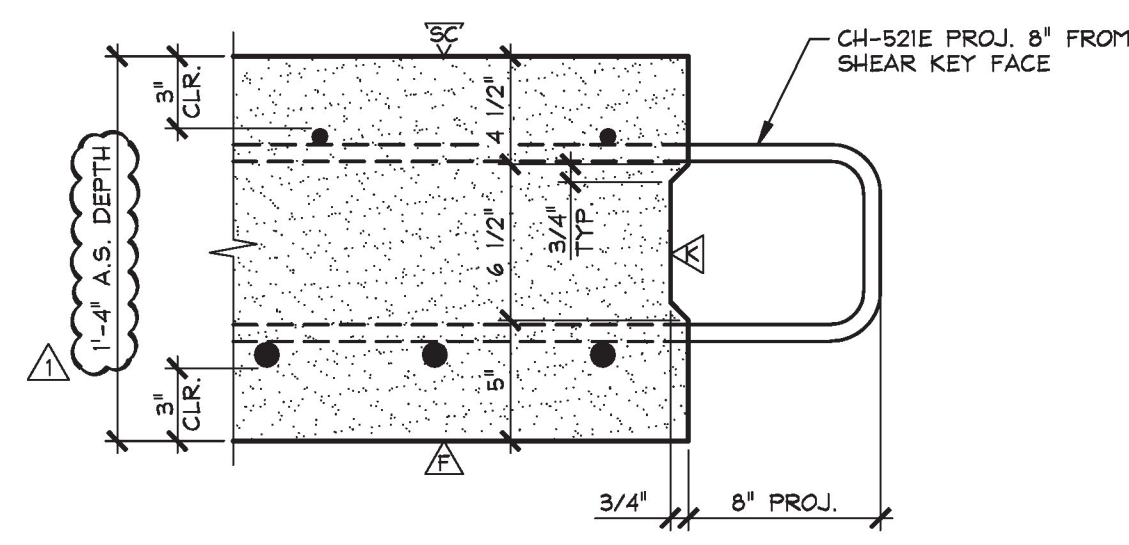
T.Y. LIN INTERNATIONAL
THE STAMPED DOCUMENTS ARE HEREBY:
 -X- APPROVED
 APPROVED AS NOTED
 REVISE AND RESUBMIT
 SEE TRANSMITTAL FOR ADDITIONAL INFORMATION AS APPLICABLE.
 THIS REVIEW IS FOR GENERAL CONFORMANCE WITH DESIGN CONCEPT ONLY. ANY DEVIATION FROM THE PLANS OR SPECIFICATIONS NOT CLEARLY NOTED BY THE CONTRACTOR HAS NOT BEEN REVIEWED. REVIEW BY THE ENGINEER SHALL NOT RELIEVE THE CONTRACTOR OF THE CONTRACTUAL RESPONSIBILITY FOR ANY ERRORS OR DEVIATION FROM THE CONTRACT REQUIREMENTS.
 JOSH OLUND February 24, 2017
 REVIEWER DATE
 2-22-17 REVISED AS NOTED

APPROVAL STAMP:
 Vermont Agency of Transportation
RECEIVED
 CK'D BY TYLin OK'D BY TYLin
 February 27, 2017
 RESUBMIT No Approved
 BY Kristin Higgins DATE 2/28/2017

J.P. CARRARA & SONS INC.
 Precast & Prestress Manufacturer
 2464 CASE STR., MIDDLEBURY, VERMONT 05753 Phone: (802)388-6361 Fax: (802)388-9010
STATE OF VERMONT AGENCY OF TRANSPORTATION
 COUNTY OF ORANGE
 TOWN OF CHELSEA
 VT ROUTE 110, RURAL MAJOR COLLECTOR
 BRIDGE NO.: 9 PROJECT NO.: BHF 0169(9)
PRECAST APPROACH SLAB DETAILS
 CPM CONSTRUCTORS
 CONTRACTOR
 FREEPORT, MAINE
 DATE: NOV. 29, 2016
 SCALE: NOTED
 CHKD: A.S. DFTM: B.L.
 JOB NO: 23505-016
 DWG. NO: **AS1**
 BRIDGE 9



B TRANSVERSE SECTION
ASI
1" = 1'-0"



C SHEAR KEY SECTION
ASI
1 1/2" = 1'-0"