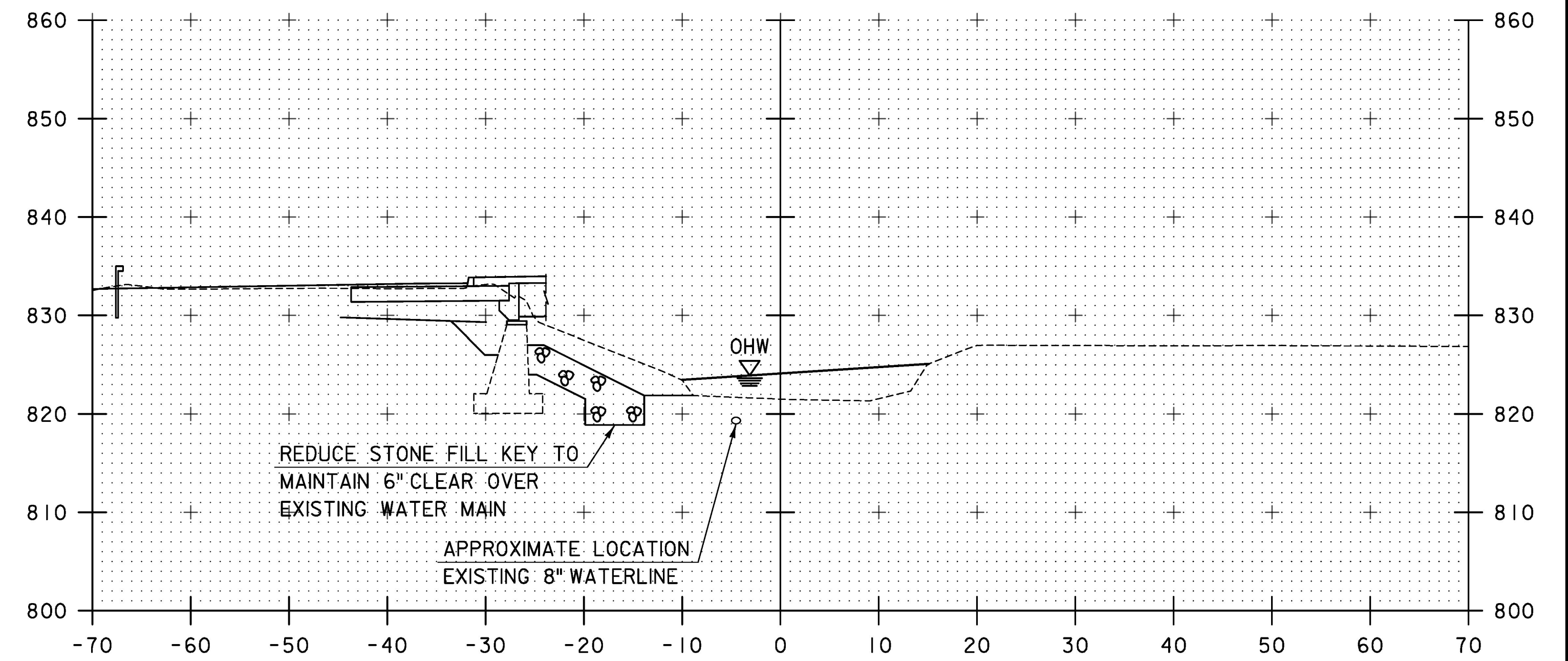
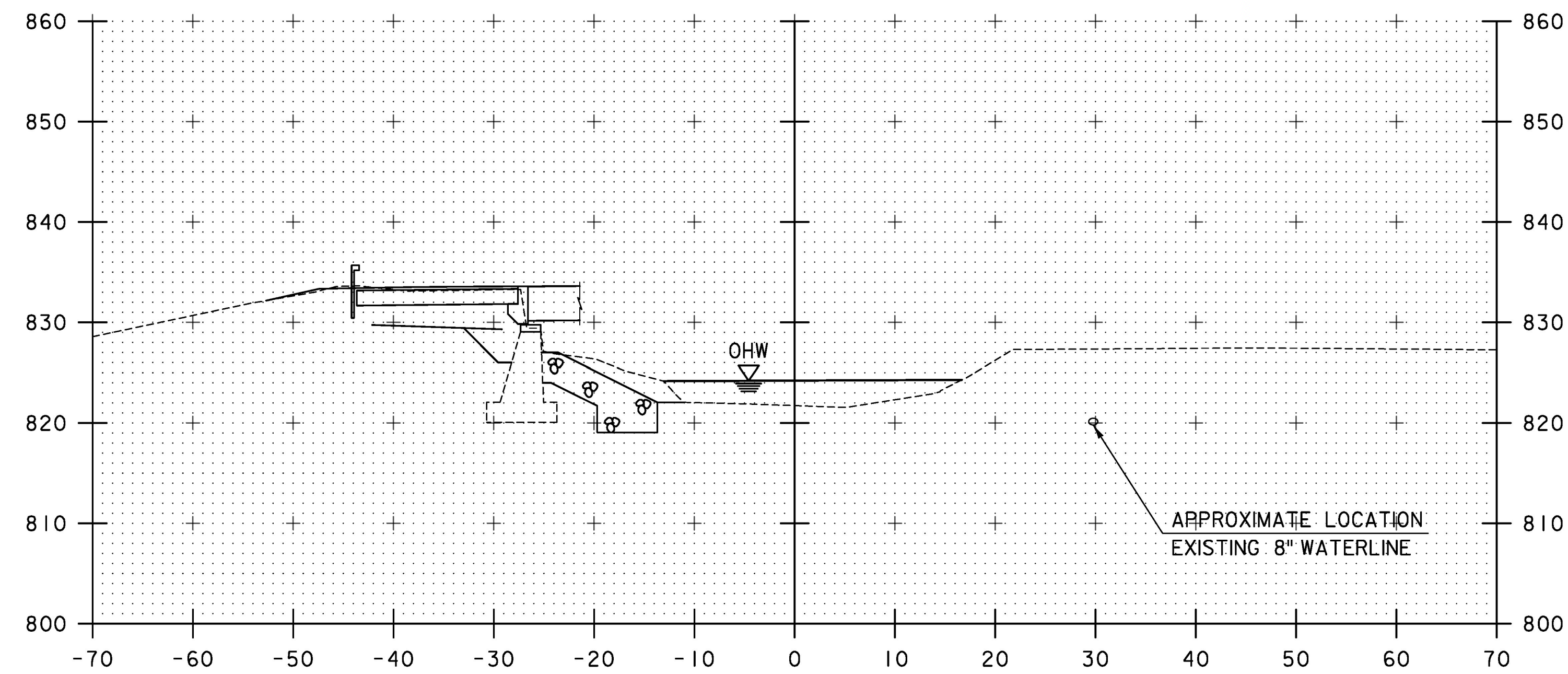


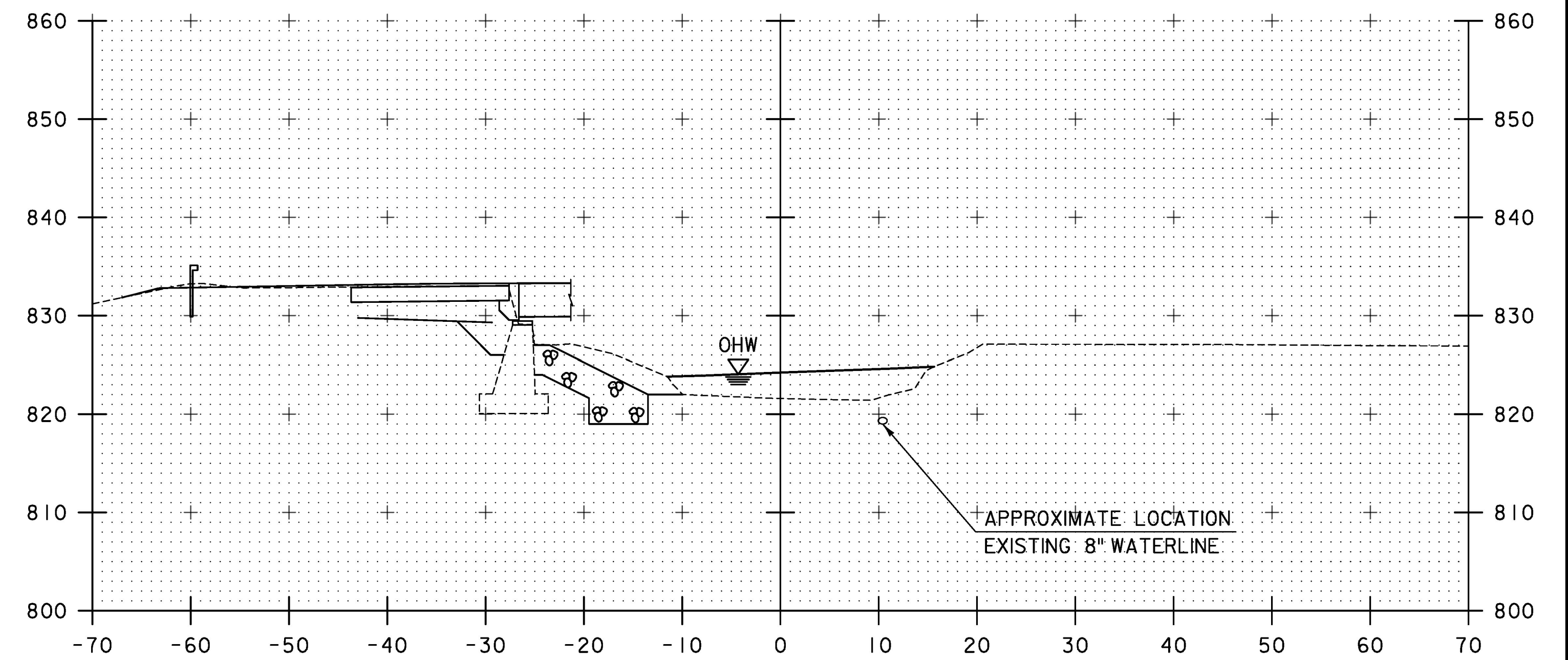
51+40



51+60



51+30



51+50

STA. 51+30 TO STA. 51+60

TYLIN INTERNATIONAL

PROJECT NAME: CHELSEA
PROJECT NUMBER: BHF 0169(10)

FILE NAME: z12ci52xschnl.dgn
PROJECT LEADER: J. OLUND
DESIGNED BY: T. POULIN
CHANNEL SECTIONS 4

PLOT DATE: 8/31/2016
DRAWN BY: T. POULIN
CHECKED BY: J. OLUND
SHEET 128 OF 137