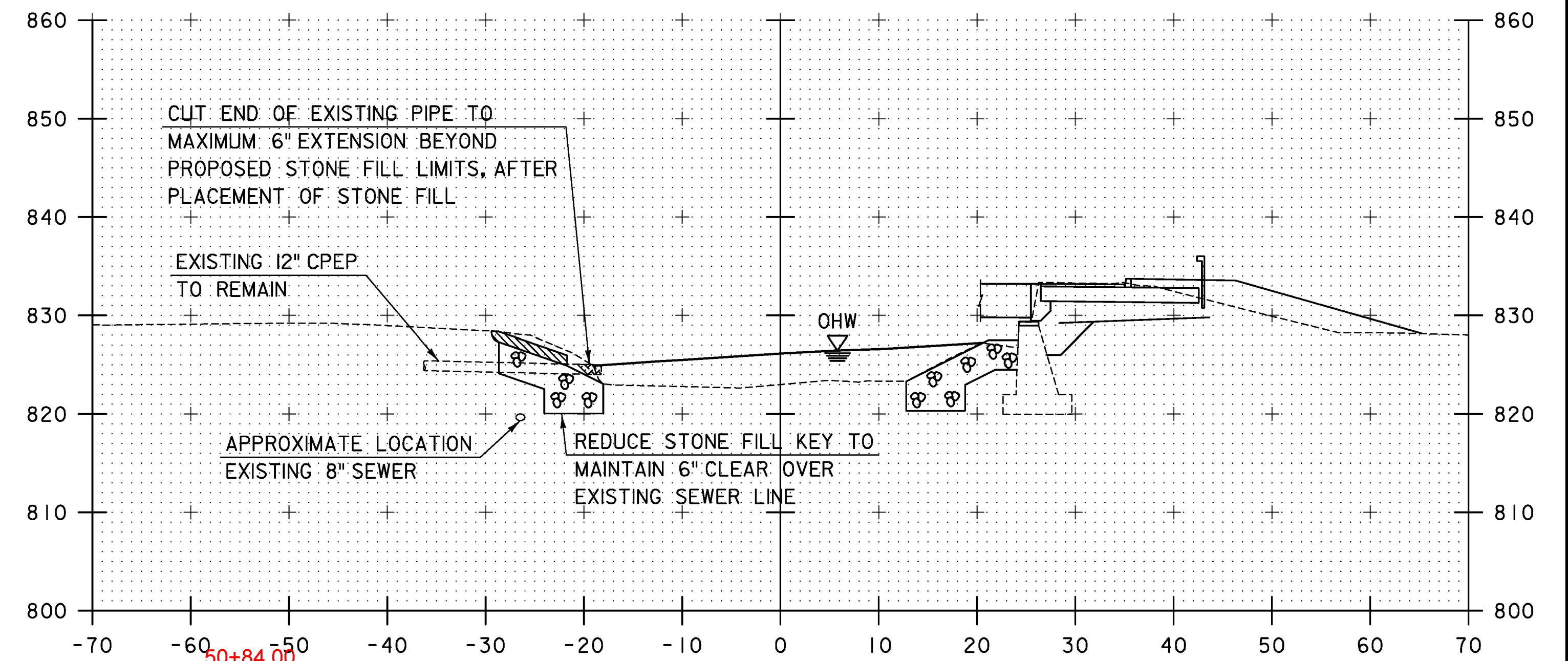
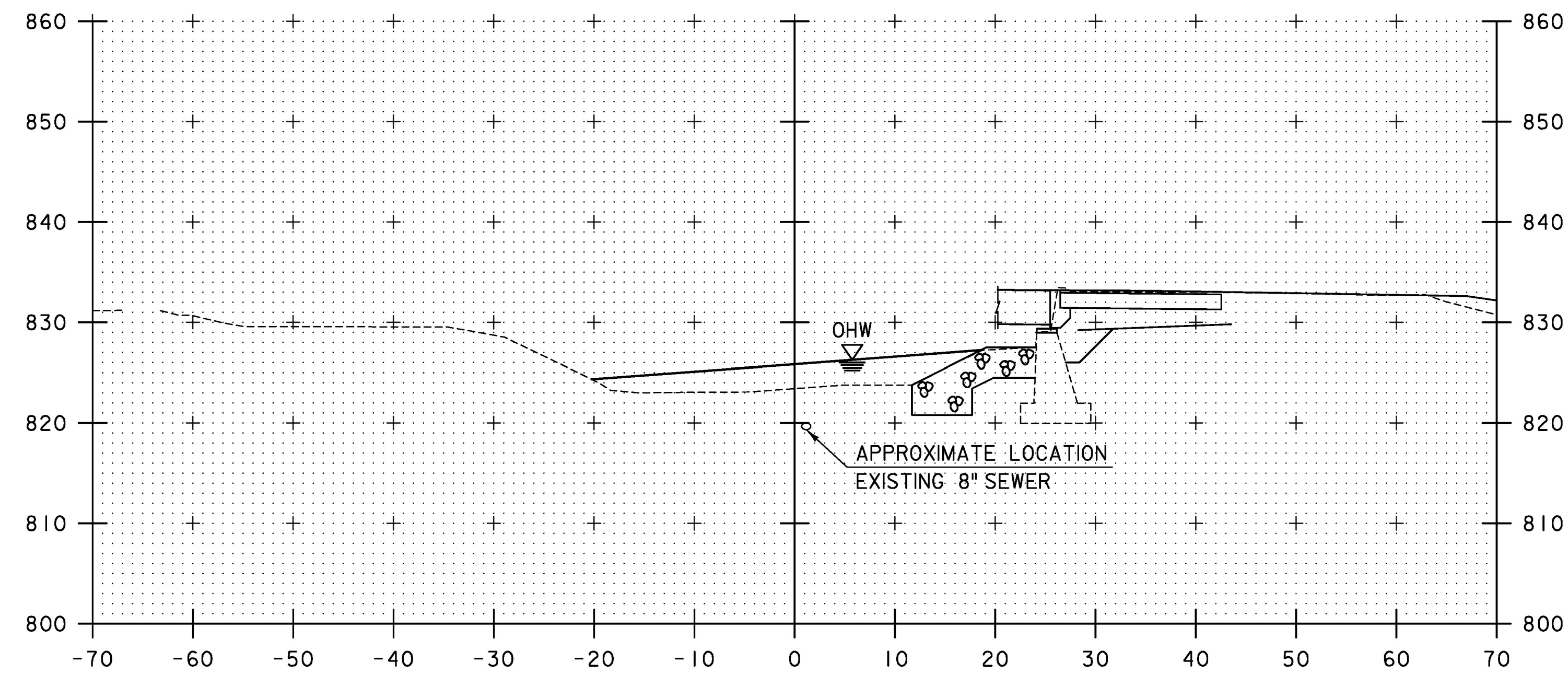


50+60

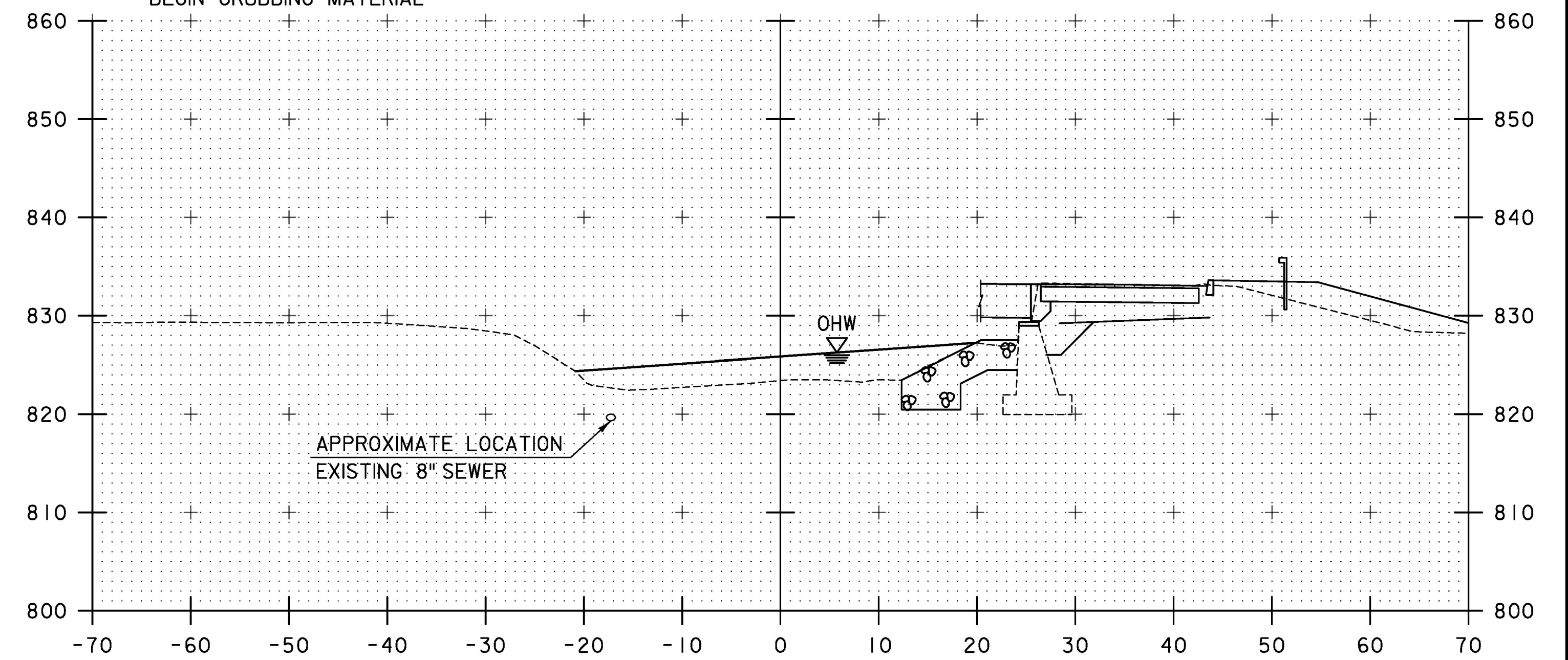


50+80



50+50

NO GRUBBING MATERIAL BENEATH SUPERSTRUCTURE



50+70

50+84.00
STA 50+78.52, LT
BEGIN UNCLASSIFIED CHANNEL EXCAVATION
BEGIN GEOTEXTILE UNDER STONE FILL, TYPE III
BEGIN STONE FILL, TYPE III
BEGIN GRUBBING MATERIAL

STA. 50+50 TO STA. 50+80

TYLIN INTERNATIONAL

PROJECT NAME:	CHelsea
PROJECT NUMBER:	BHF 0169(10)
FILE NAME:	z12ci52xschnl.dgn
PROJECT LEADER:	J. OLUND
DESIGNED BY:	T. POULIN
CHANNEL SECTIONS 2	
PLOT DATE:	8/31/2016
DRAWN BY:	T. POULIN
CHECKED BY:	J. OLUND
SHEET	126 OF 137