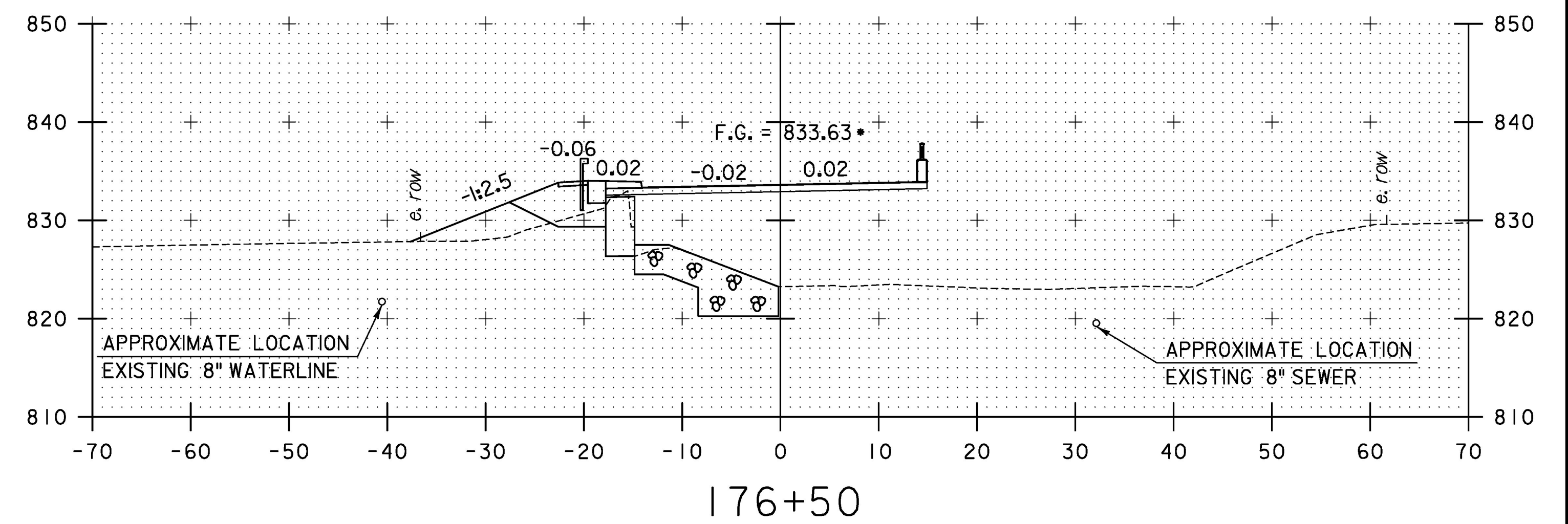
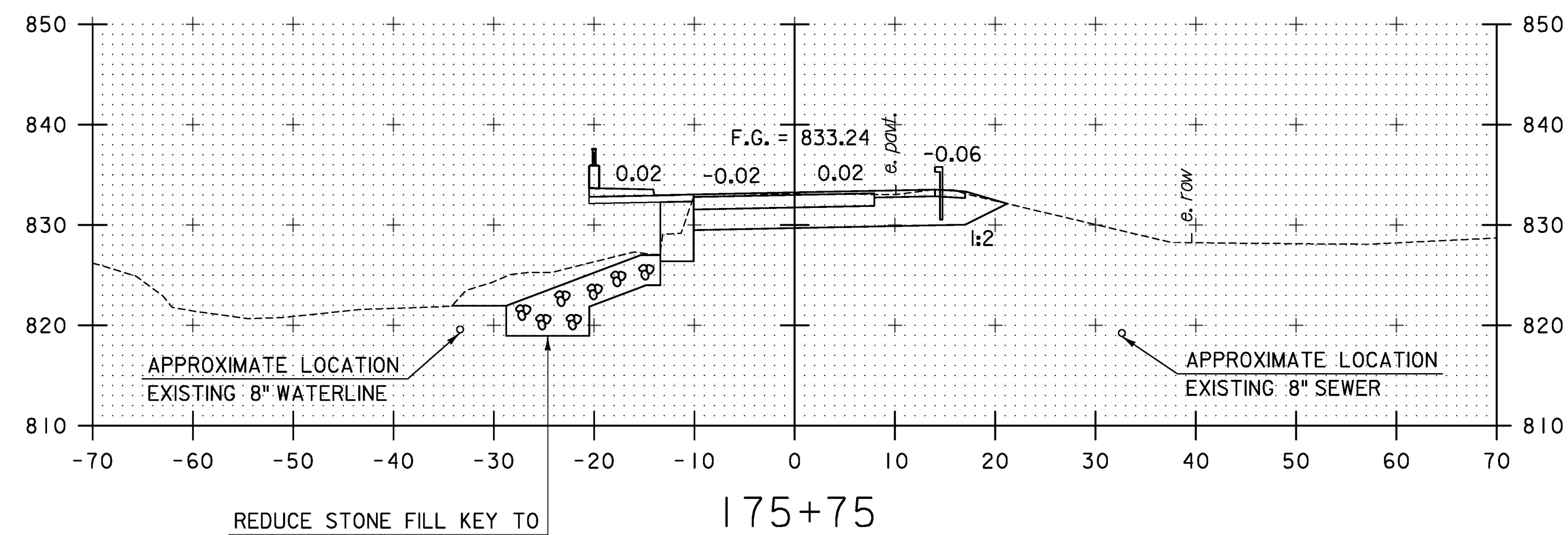


BEGIN BRIDGE STA 175+87.06

END BRIDGE STA 176+71.20



REDUCE STONE FILL KEY TO
MAINTAIN 6" CLEAR OVER
EXISTING WATER MAIN

*NOTED DIMENSIONS AND/OR ELEVATIONS ARE BASED ON A FINAL DECK
THICKNESS OF 8 1/2 INCHES. SEE PROJECT NOTES FOR ADDITIONAL INFORMATION.

TYLIN INTERNATIONAL

STA. 175+75 TO STA. 177+00

PROJECT NAME: CHELSEA
PROJECT NUMBER: BHF 0169(10)

FILE NAME: z12ci52xs.dgn
PROJECT LEADER: J. OLUND
DESIGNED BY: T. POULIN
VT 110 CROSS SECTIONS 3

PLOT DATE: 8/31/2016
DRAWN BY: T. POULIN
CHECKED BY: J. OLUND
SHEET 123 OF 137