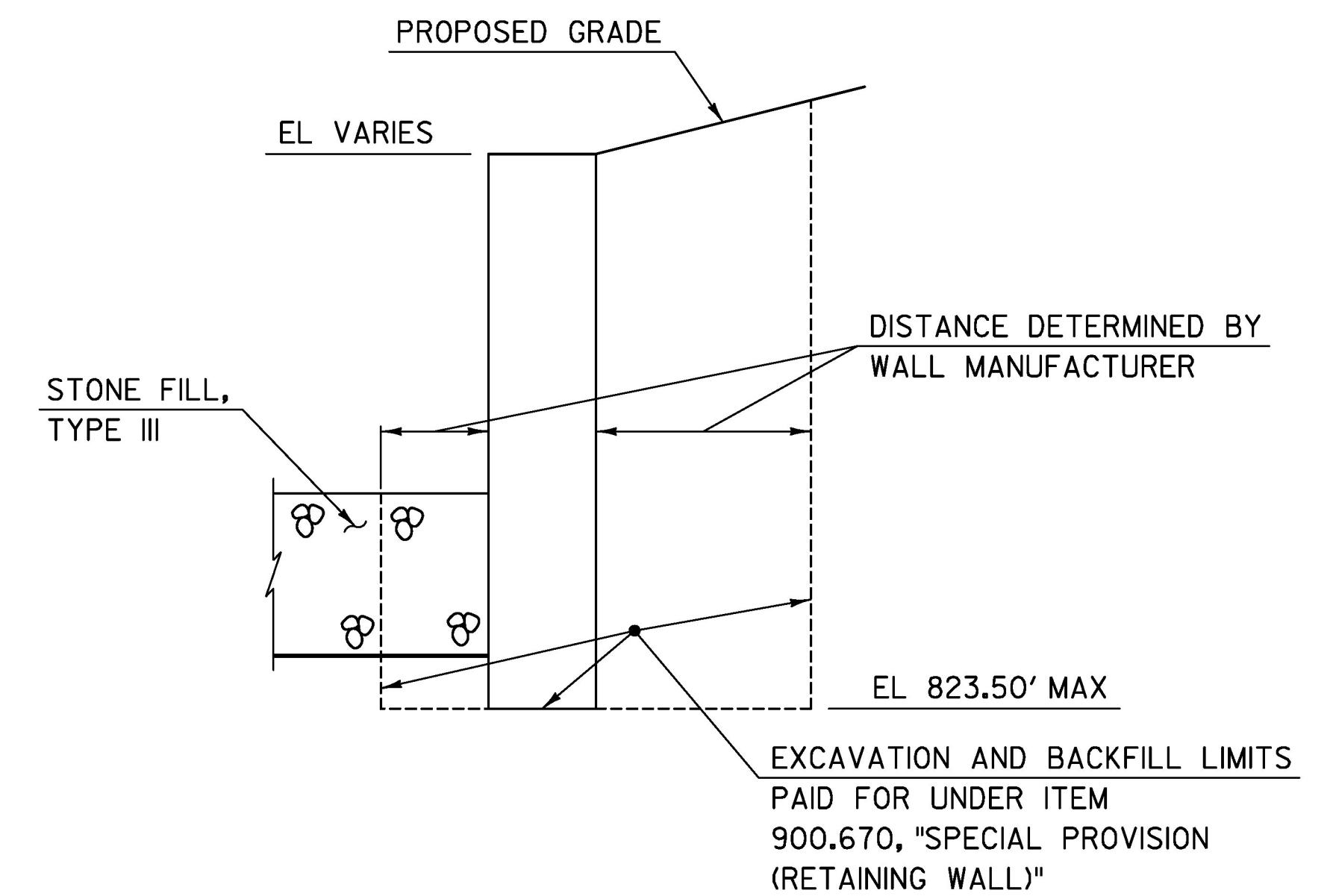


RETAINING WALL 3 - PLAN

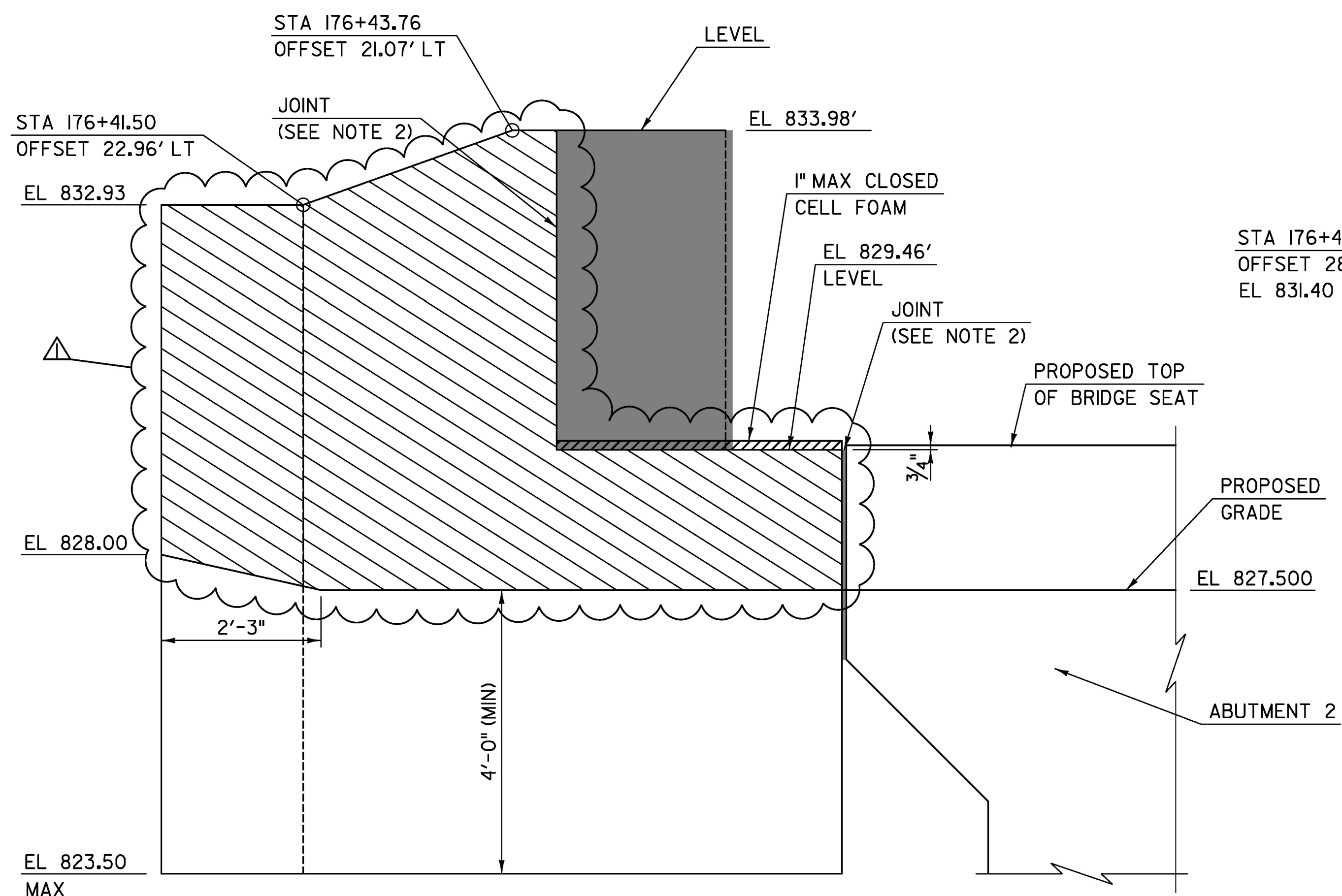
SCALE: 3/4" = 1'-0"

(CURTAIN WALL NOT SHOWN FOR CLARITY)



TYPICAL SECTION

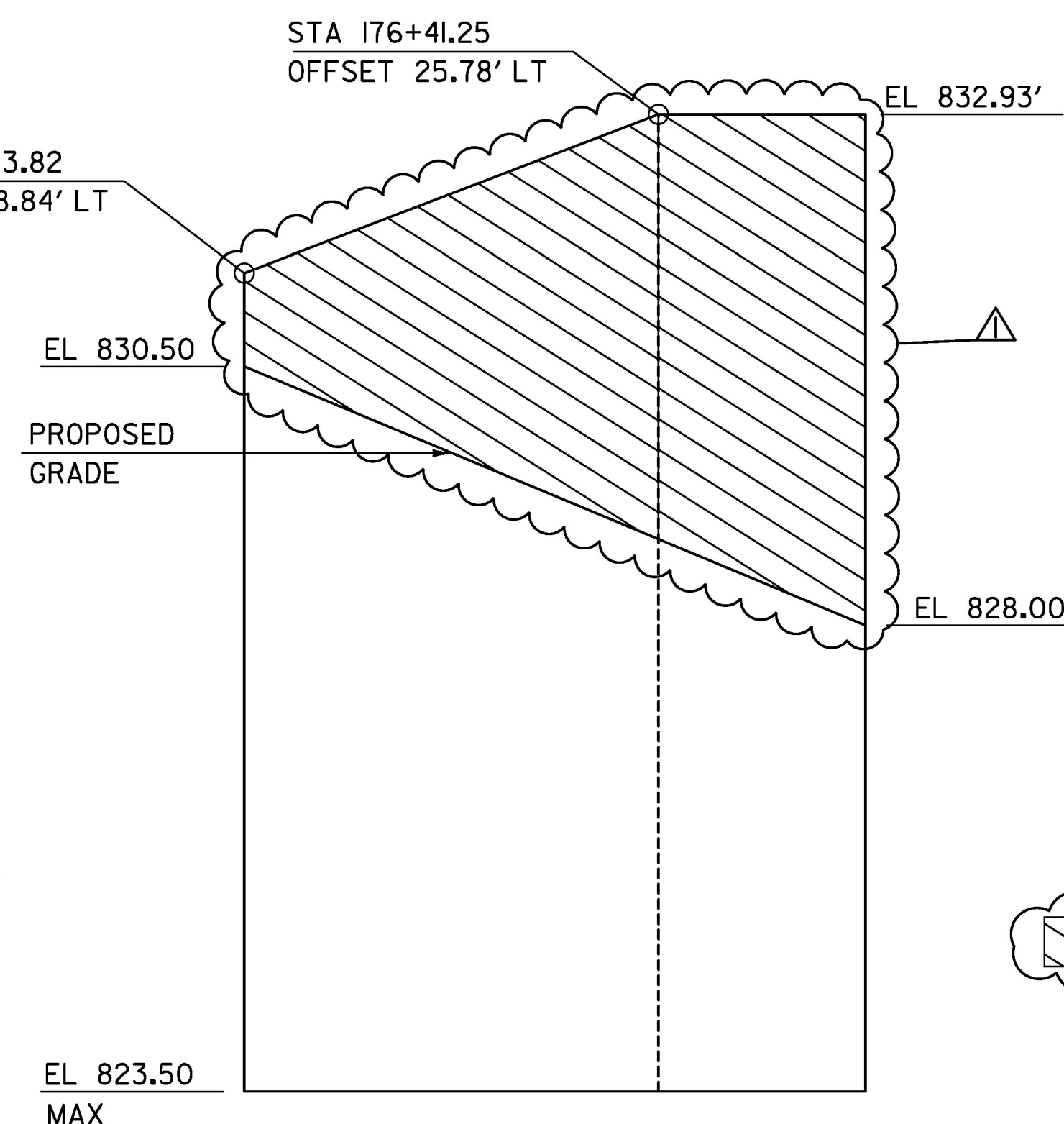
SCALE: 3/8" = 1'-0"



VIEW A-A

SCALE: 3/4" = 1'-0"

(CURTAIN WALL NOT SHOWN FOR CLARITY)

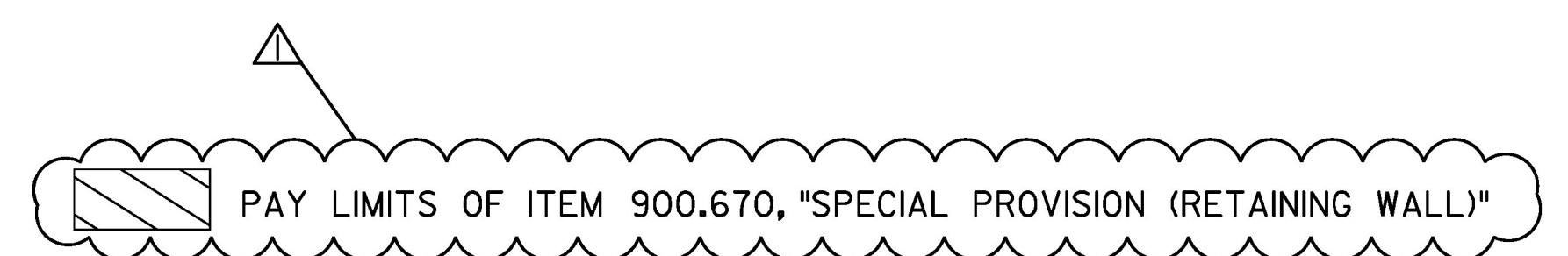


VIEW B-B

SCALE: 3/4" = 1'-0"

NOTE:

SEE "RETAINING WALL DETAILS 1" SHEET FOR NOTES.



REV	DATE	DESCRIPTION
△	10/26/2016	PAY LIMIT CLARIFICATION

TYLININTERNATIONAL

PROJECT NAME: CHelsea	PLOT DATE: 10/25/2016
PROJECT NUMBER: BHF 0169(10)	DRAWN BY: S. MORGAN
FILE NAME: z12ci52rwall3.dgn	CHECKED BY: B. TOOTHAKER
PROJECT LEADER: J. OLUND	SHEET 116 OF 137
DESIGNED BY: T. POULIN	
RETAINING WALL 3	