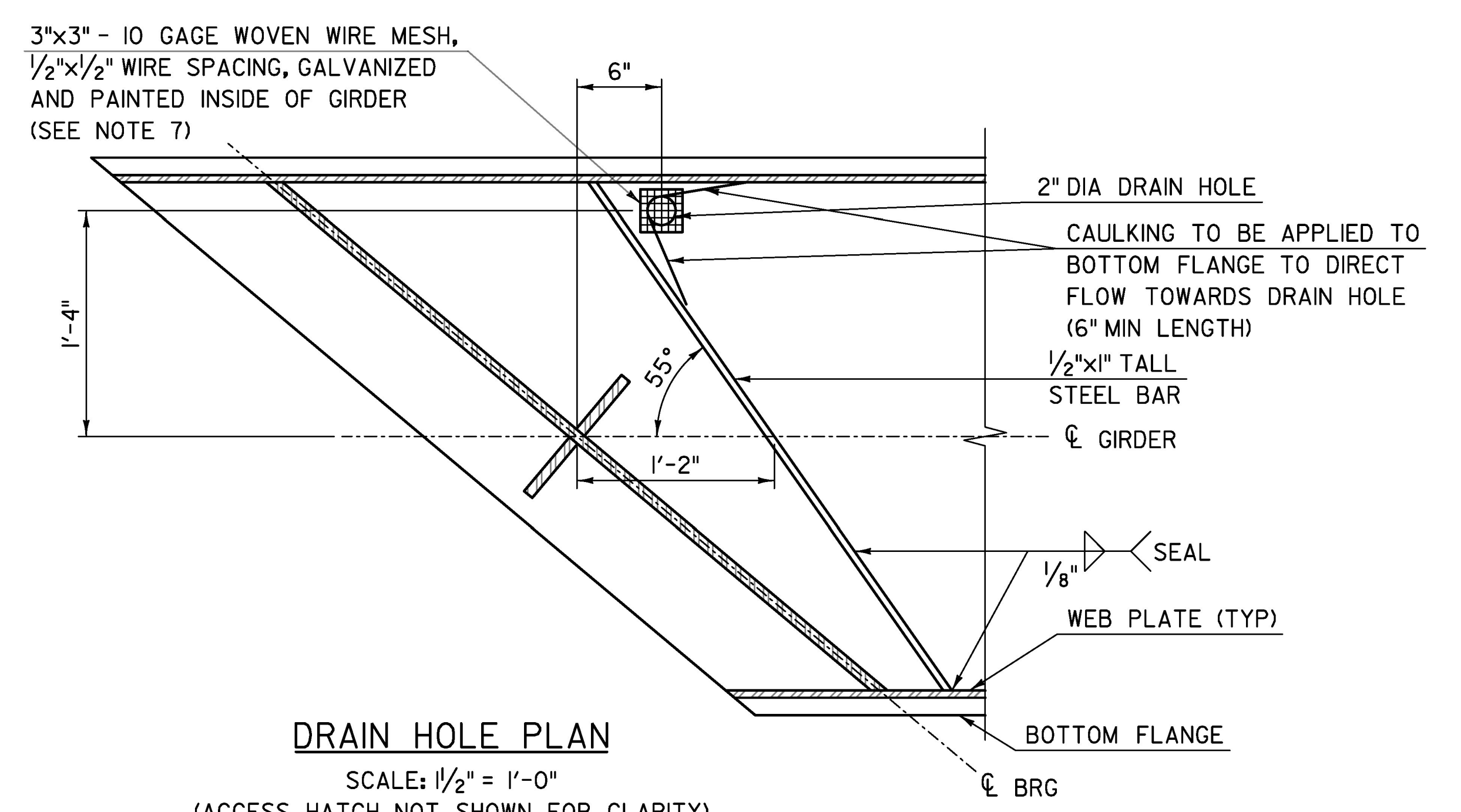
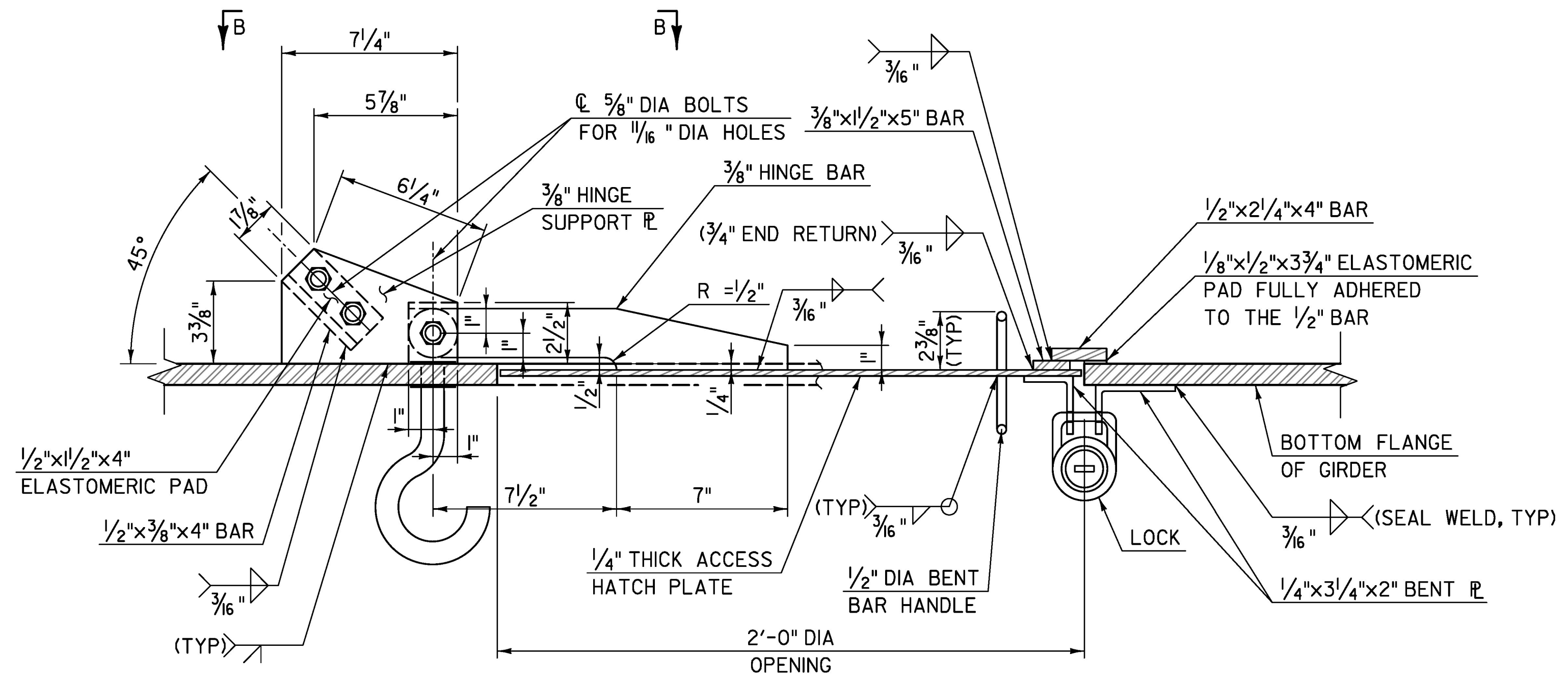


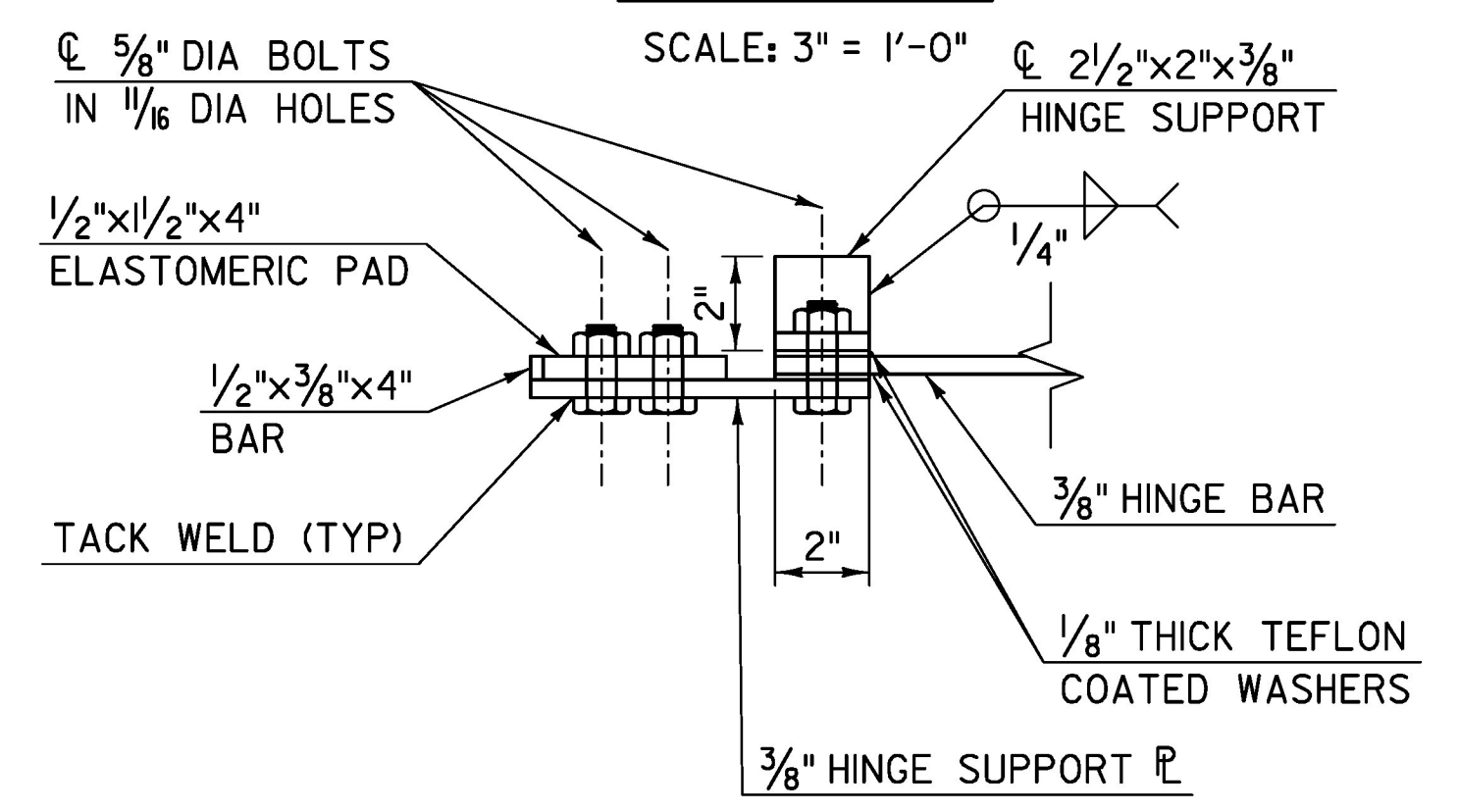
**ACCESS HATCH PLAN**  
SCALE: 1/2" = 1'-0"



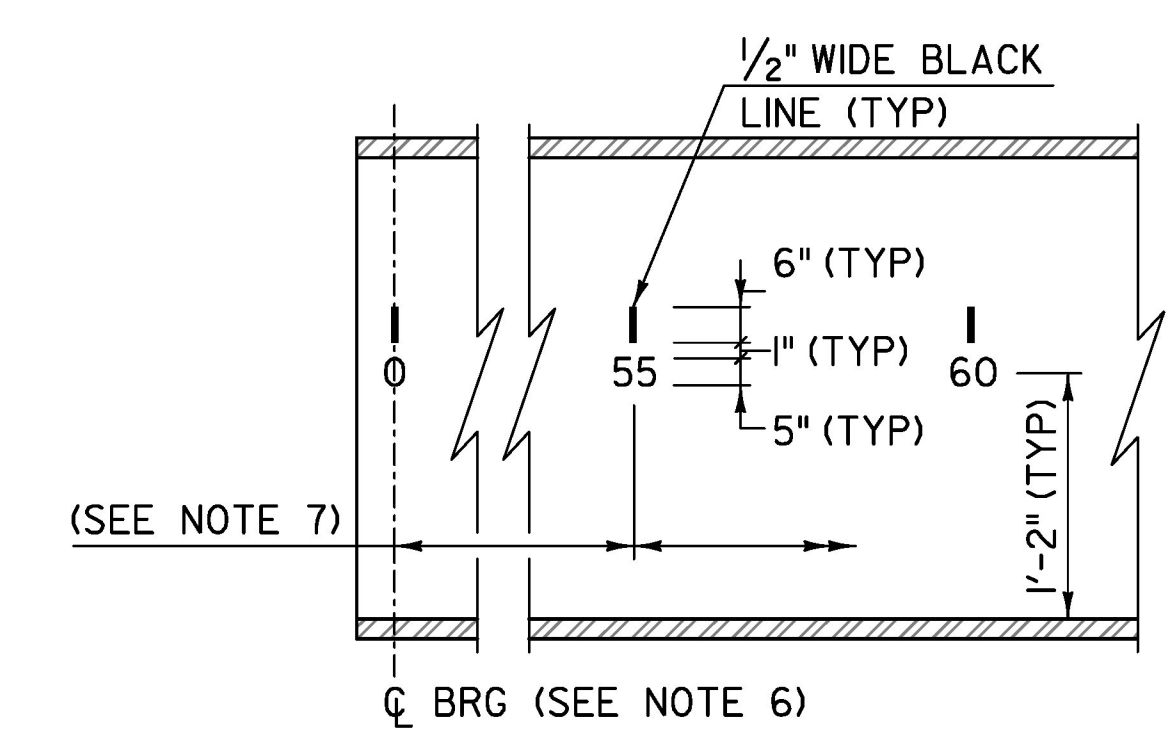
**DRAIN HOLE PLAN**  
SCALE: 1/2" = 1'-0"  
(ACCESS HATCH NOT SHOWN FOR CLARITY)  
(ABUTMENT 1 SHOWN, ABUTMENT 2 SIMILAR)



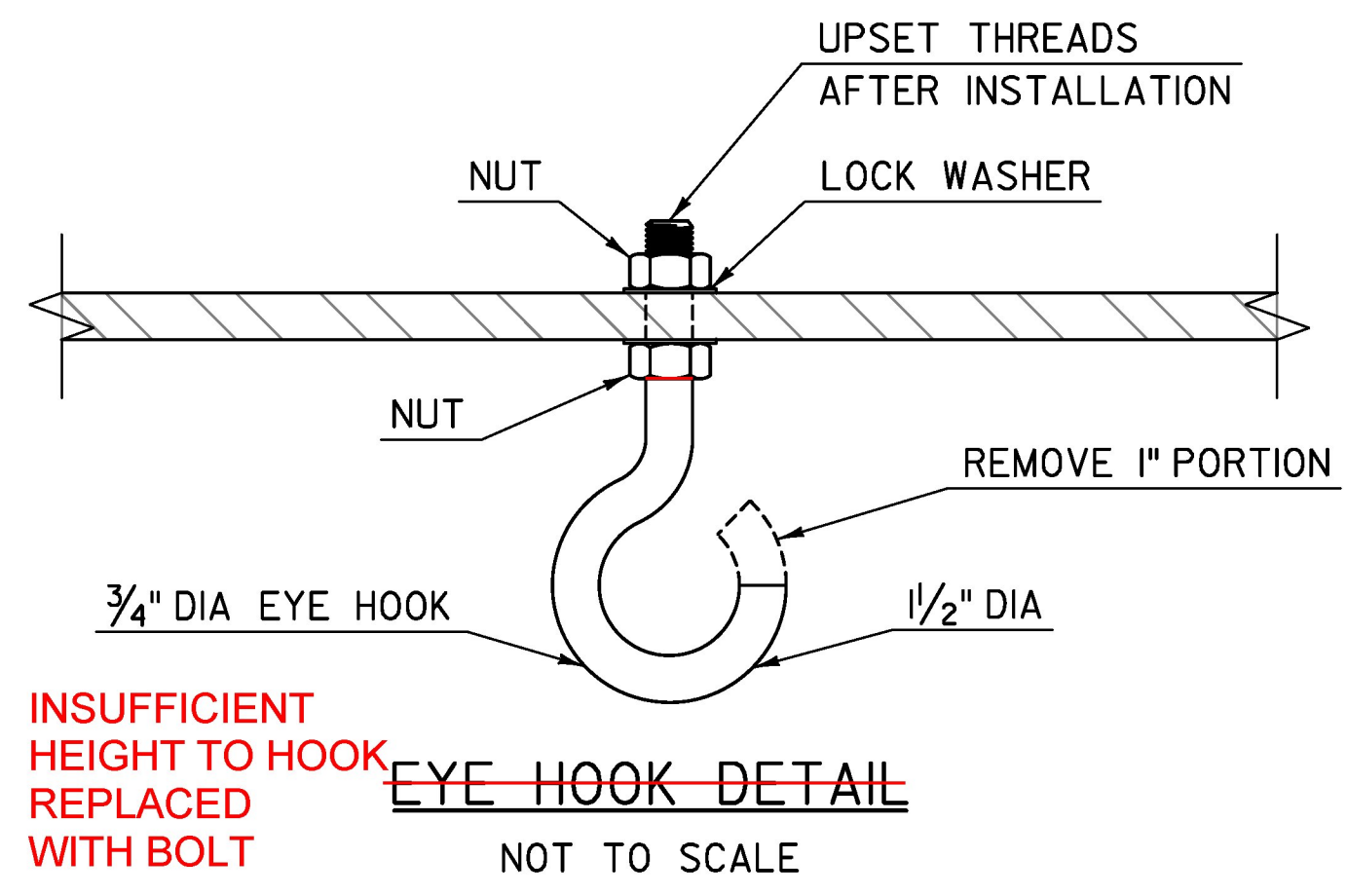
**SECTION A-A**  
SCALE: 3" = 1'-0"



**VIEW B-B**  
SCALE: 3" = 1'-0"



**INTERIOR PAINT MARKING REQUIREMENTS**  
NTS



**EYE HOOK DETAIL**  
NOT TO SCALE  
INSUFFICIENT HEIGHT TO HOOK REPLACED WITH BOLT

**NOTES:**

1. ALL HATCHES SHALL OPEN TOWARDS THE BACKWALL.
2. ACCESS HATCH SHALL BE PAINTED ON BOTH SIDES WITH THE SAME COATING AS USED ON THE GIRDER.
3. ALL LOCKS SHALL BE KEYED THE SAME.
4. EYE HOOKS SHALL MEET THE REQUIREMENTS OF SUBSECTION 714.04.
5. ALL ITEMS THIS SHEET WILL BE PAID UNDER TO ITEM 900.640 "SPECIAL PROVISION (PREFABRICATED BRIDGE UNIT SUPERSTRUCTURE) (FPQ)".
6. ZERO DISTANCE REFERENCE LINE LOCATED AT ABUTMENT NO 1 CENTERLINE OF BEARING.
7. INDICATE DISTANCES SEQUENTIALLY AT FIVE FOOT INTERVALS WITHOUT INTERRUPTION, FULL LENGTH WITHIN EACH BOX GIRDER, WITH BLACK LINES AND NUMERALS ON LEFT WEB.
8. EPOXY OR ANOTHER APPROVED ADHESIVE SHALL BE USED TO ATTACH MESH TO INSIDE OF GIRDER.

<b>TYLIN INTERNATIONAL</b>	PROJECT NAME: CHelsea	PLOT DATE: 8/31/2016
	PROJECT NUMBER: BHF 0169(10)	DRAWN BY: S. MORGAN
	FILE NAME: z12ci52gde+2.dgn	CHECKED BY: J. OLUND
	DESIGNED BY: T. POULIN	SHEET 108 OF 137
	GIRDER DETAILS 2	