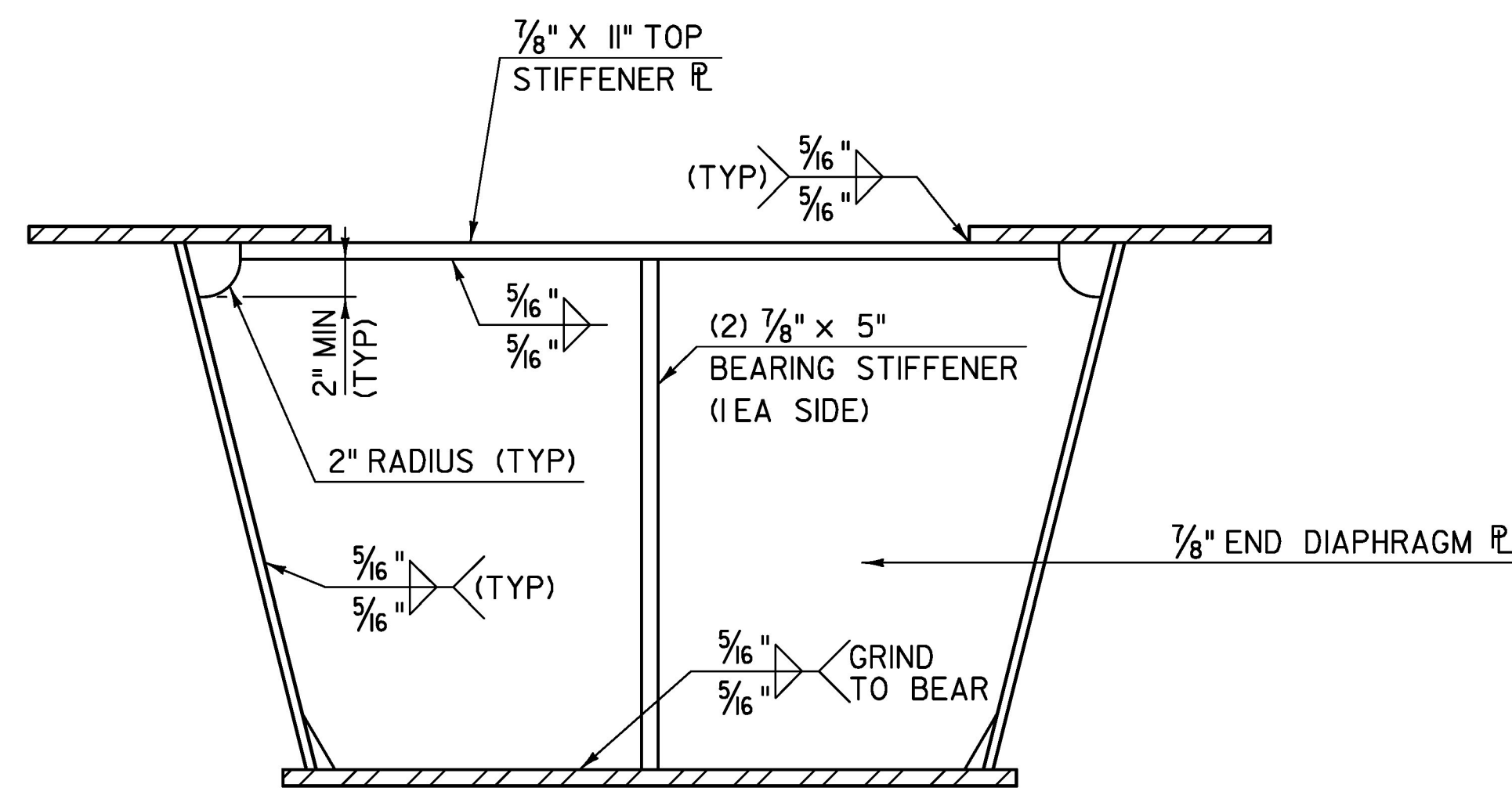


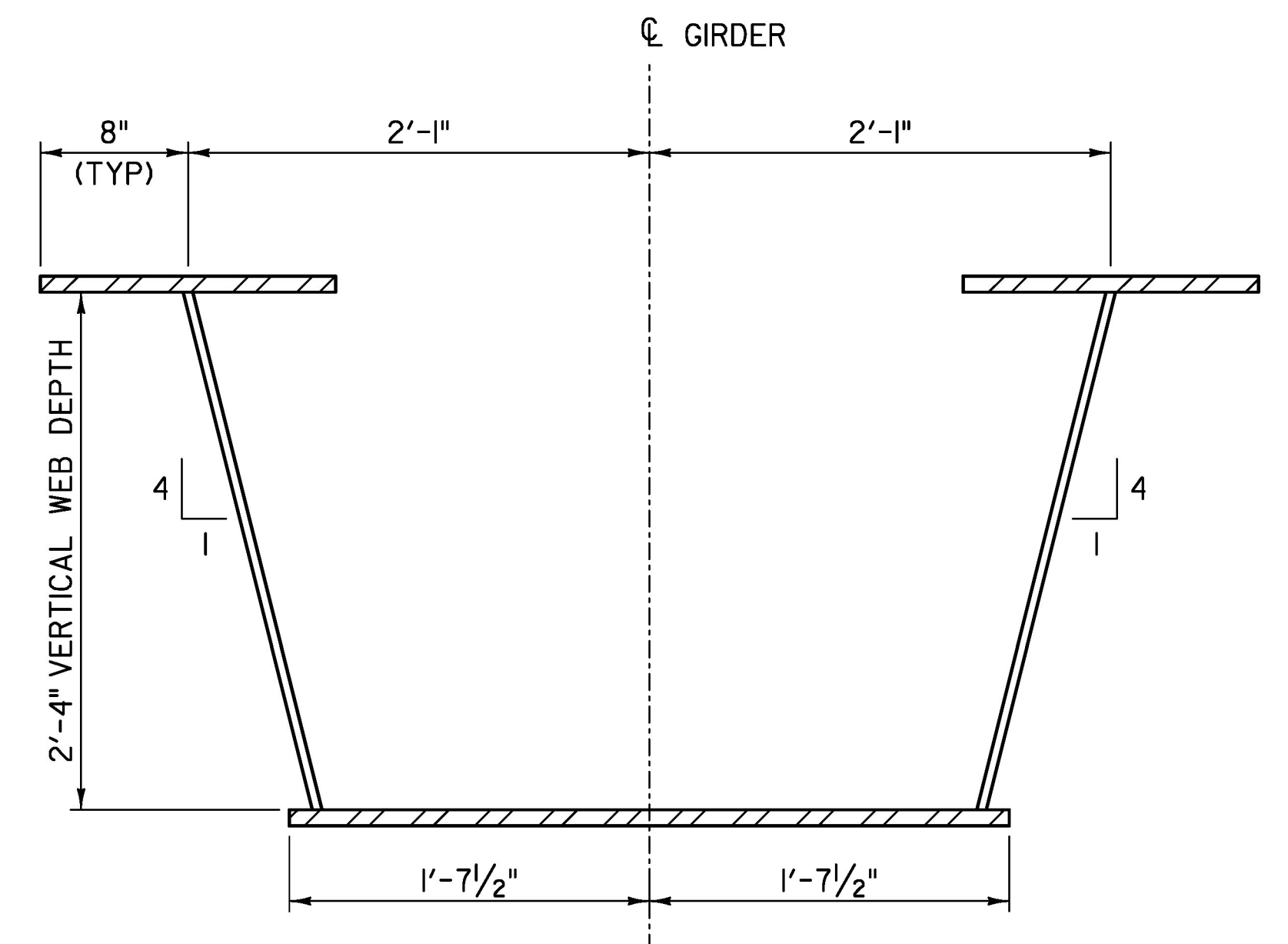
**CROSSFRAME DETAIL**

SCALE: 1/2" = 1'-0"



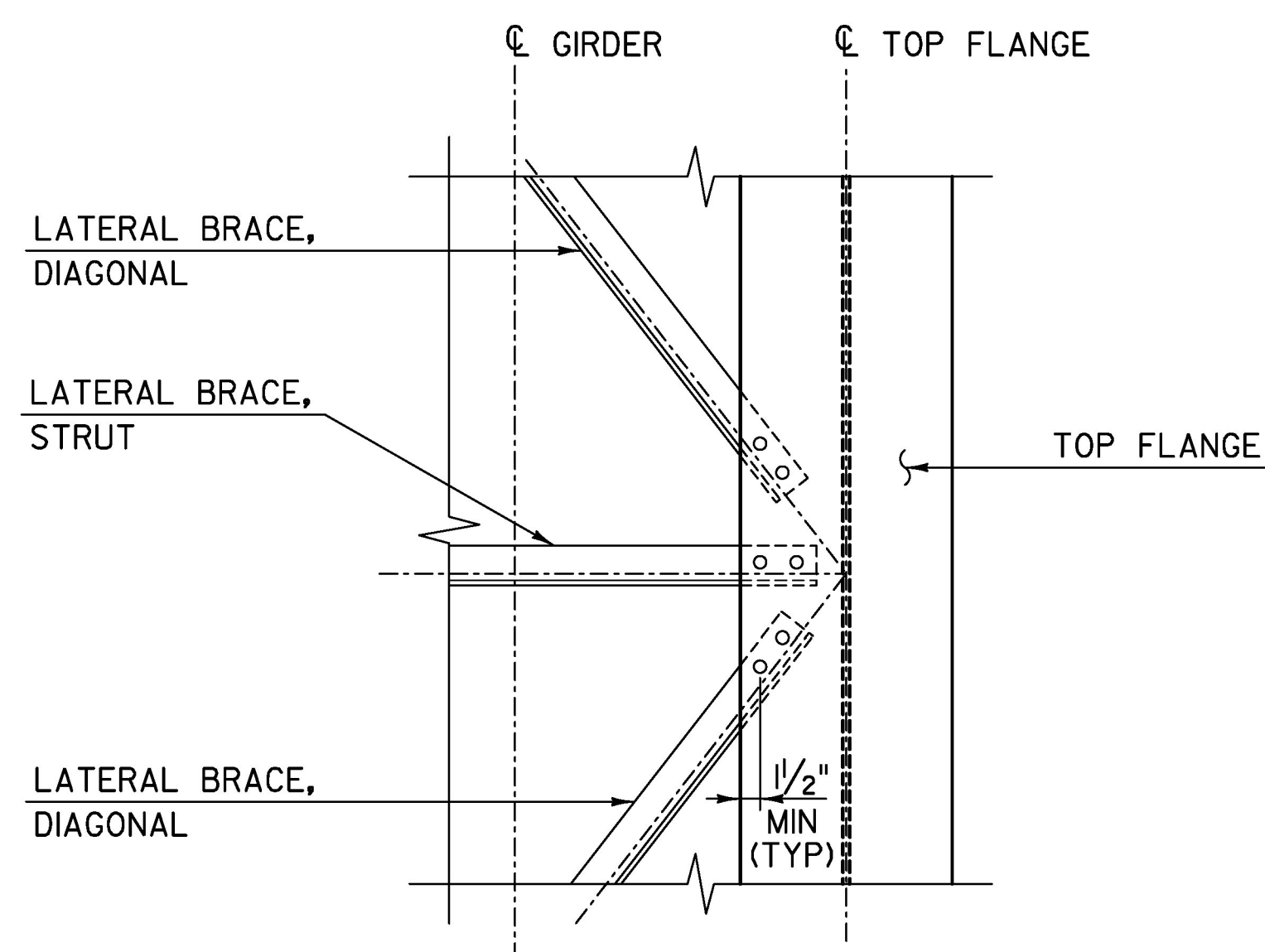
**END DIAPHRAGM DETAIL**

SCALE: 1/2" = 1'-0"  
(NOT ADJUSTED FOR SKEW FOR CLARITY)



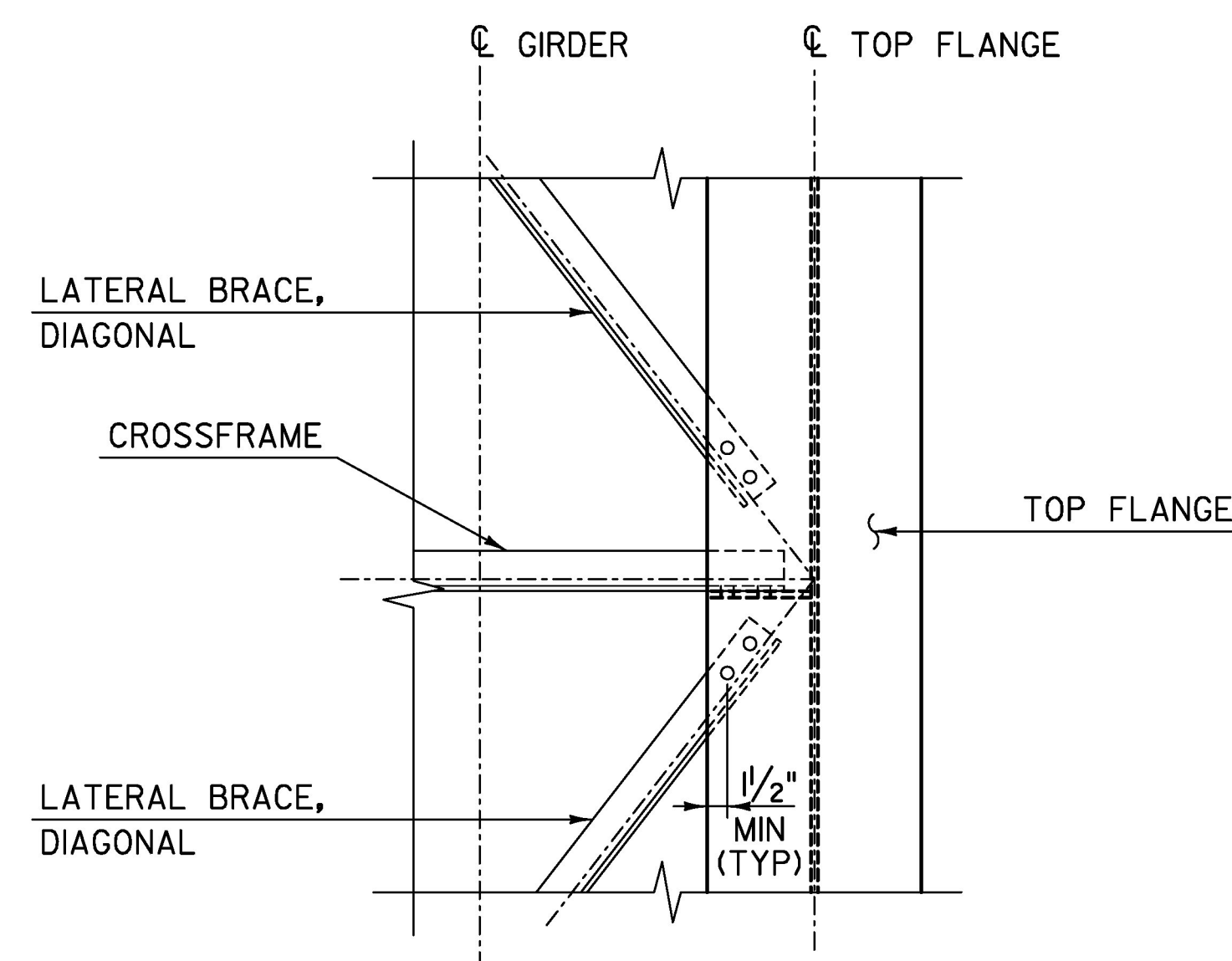
**GIRDER GEOMETRY DETAIL**

SCALE: 1/2" = 1'-0"



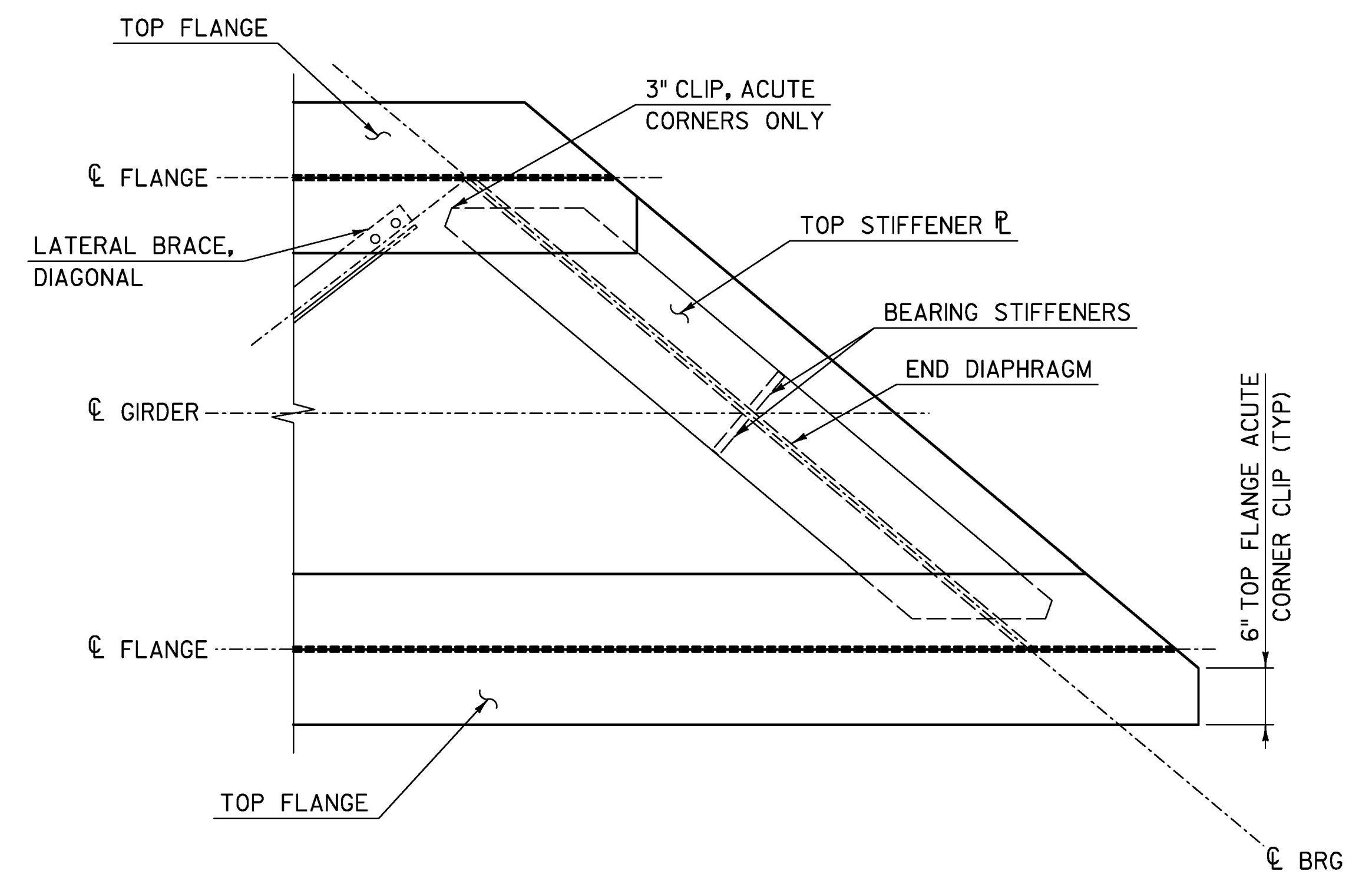
**DETAIL B**

SCALE: 1" = 1'-0"



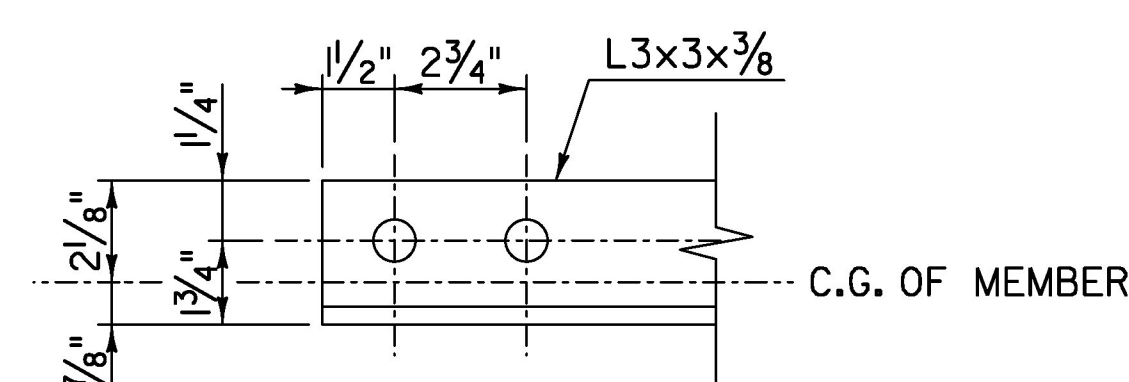
**DETAIL A**

SCALE: 1" = 1'-0"



**DETAIL C**

SCALE: 1" = 1'-0"  
(ABUTMENT 2 SHOWN, ABUTMENT 1 SIMILAR)  
(GIRDER SHEAR CONNECTORS NOT SHOWN FOR CLARITY)



**CROSS FRAME AND BRACING MEMBER CONNECTION DETAIL**

SCALE: 3" = 1'-0"

**NOTES:**

1. ALL CROSSFRAME AND LATERAL BRACE MEMBERS SHALL BE L3x3x3/8 UNLESS OTHERWISE NOTED.
2. REFER TO STRUCTURES DETAIL SD-602.00 FOR CONNECTION PLATE AND BEARING STIFFENER DETAILS AND WELDS.

FOR REVIEW ONLY  
NOT FOR CONSTRUCTION

**TYLIN** INTERNATIONAL

PROJECT NAME: CHelsea  
PROJECT NUMBER: BHF 0169(10)

FILE NAME: z12ci52gde+1.dgn  
PROJECT LEADER: J. OLUND  
DESIGNED BY: T. POULIN  
GIRDER DETAILS I

PLOT DATE: 8/31/2016  
DRAWN BY: S. MORGAN  
CHECKED BY: J. OLUND  
SHEET 107 OF 137