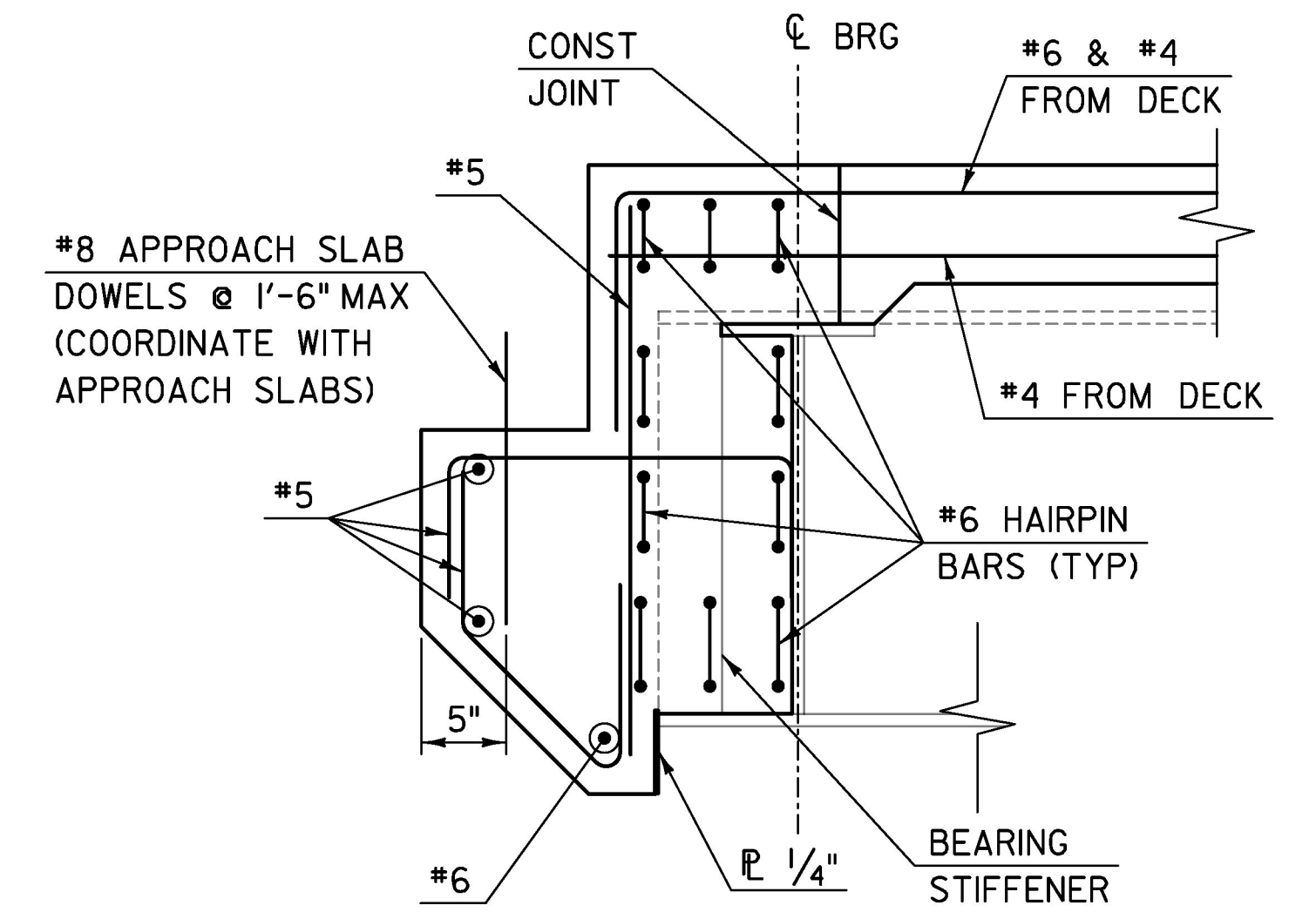


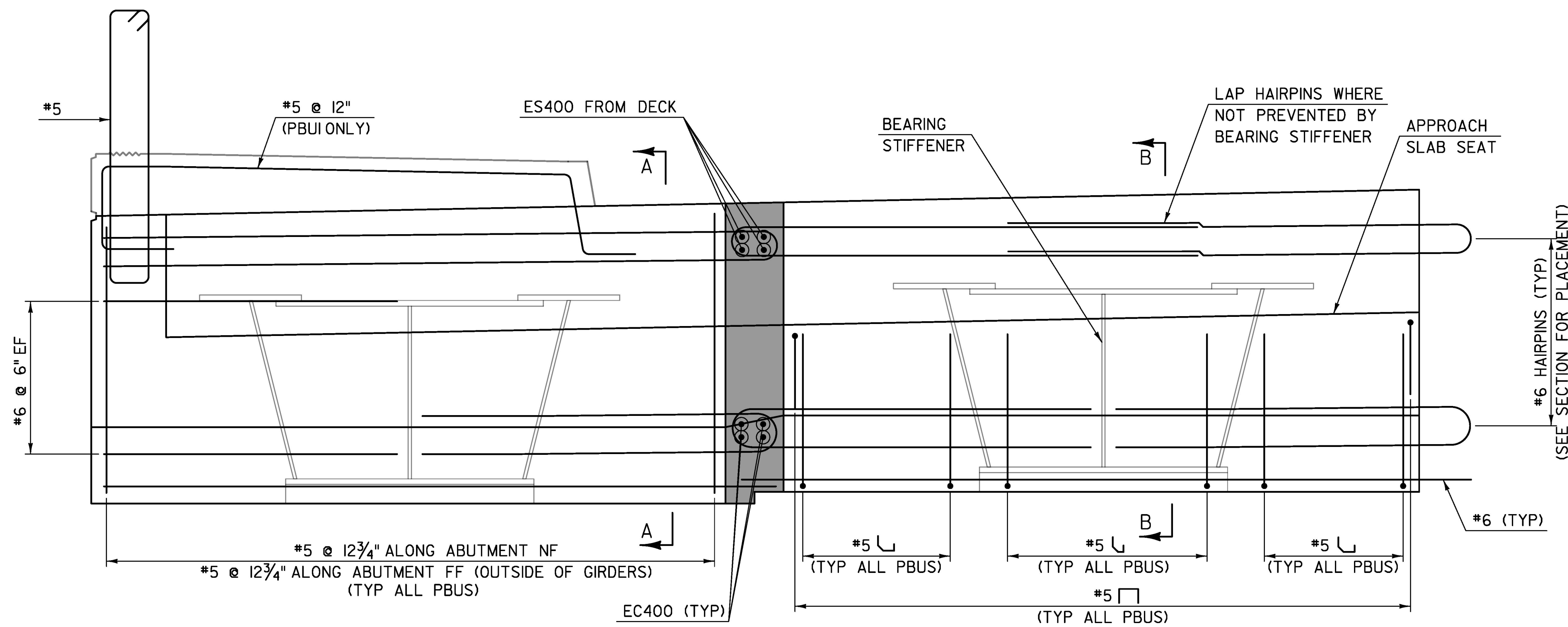
PARTIAL ABUTMENT I CURTAINWALL PLAN

SCALE: $\frac{3}{4}'' = 1'-0''$
 ABUTMENT 1 SHOWN, ABUTMENT 2 SIMILAR
 DECK REINFORCEMENT NOT SHOWN FOR CLARITY



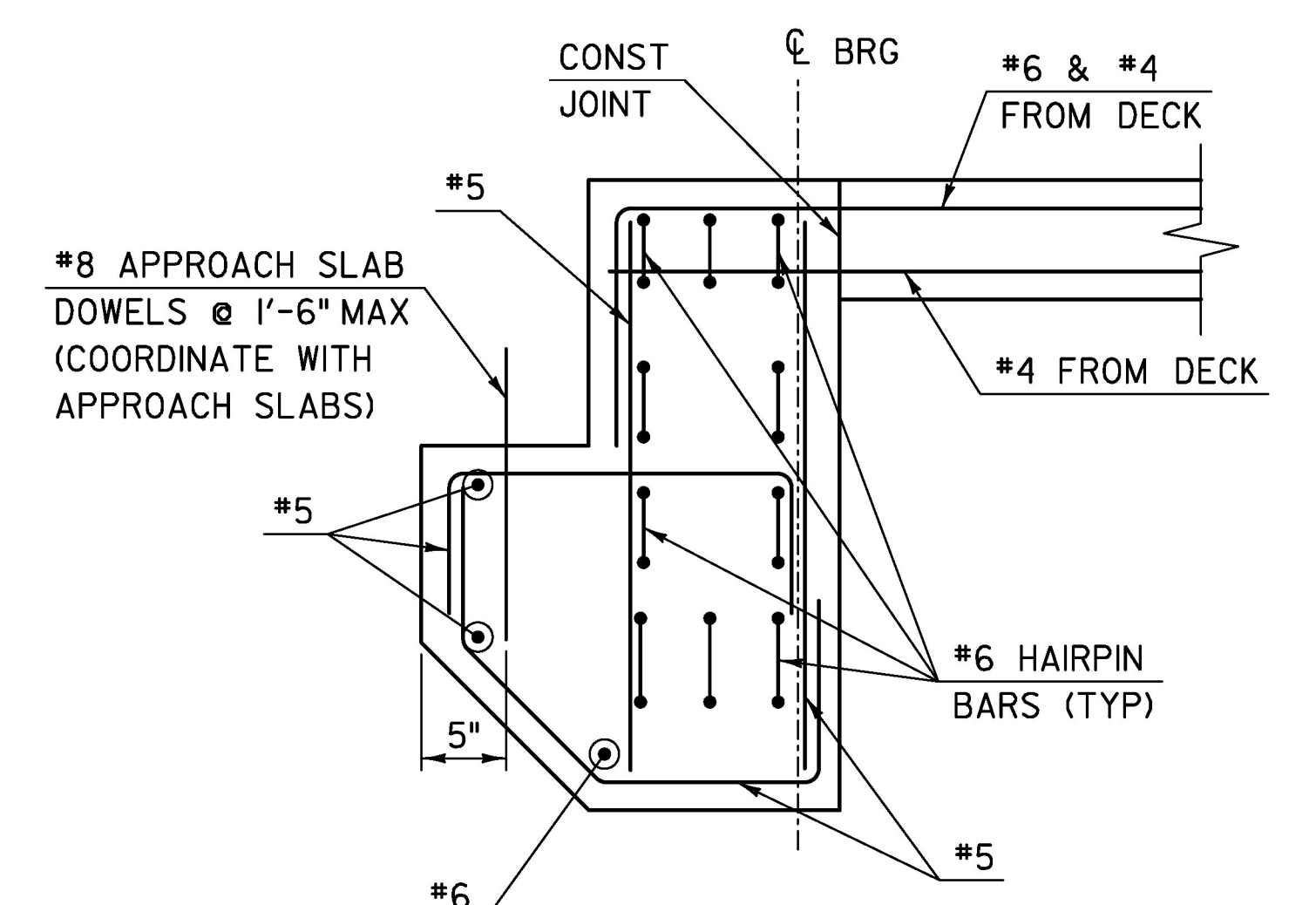
SECTION B-B

SCALE: $1'' = 1'-0''$
 (NORMAL TO CL BRG)



PARTIAL END VIEW

SCALE: $1'' = 1'-0''$
 VIEW PERPENDICULAR TO GIRDERS
 DECK REINFORCEMENT NOT SHOWN FOR CLARITY



SECTION A-A

SCALE: $1'' = 1'-0''$
 (NORMAL TO CL BRG)

LEGEND:

- SPECIAL PROVISION (HIGH PERFORMANCE CONCRETE, RAPID SET) (FPQ)
- NF NEAR FACE
- FF FAR FACE
- EF EACH FACE

PBU1
 (PBU4 SIMILAR)

PBU2
 (PBU3 SIMILAR)

TYLIN INTERNATIONAL

PROJECT NAME: CHelsea
 PROJECT NUMBER: BHF 0169(10)

FILE NAME: z12ci52cr+wl12.dgn
 PROJECT LEADER: J. OLUND
 DESIGNED BY: D. MYERS
 CURTAINWALL DETAILS 2

PLOT DATE: 8/31/2016
 DRAWN BY: S. MORGAN
 CHECKED BY: J. OLUND
 SHEET 105 OF 137