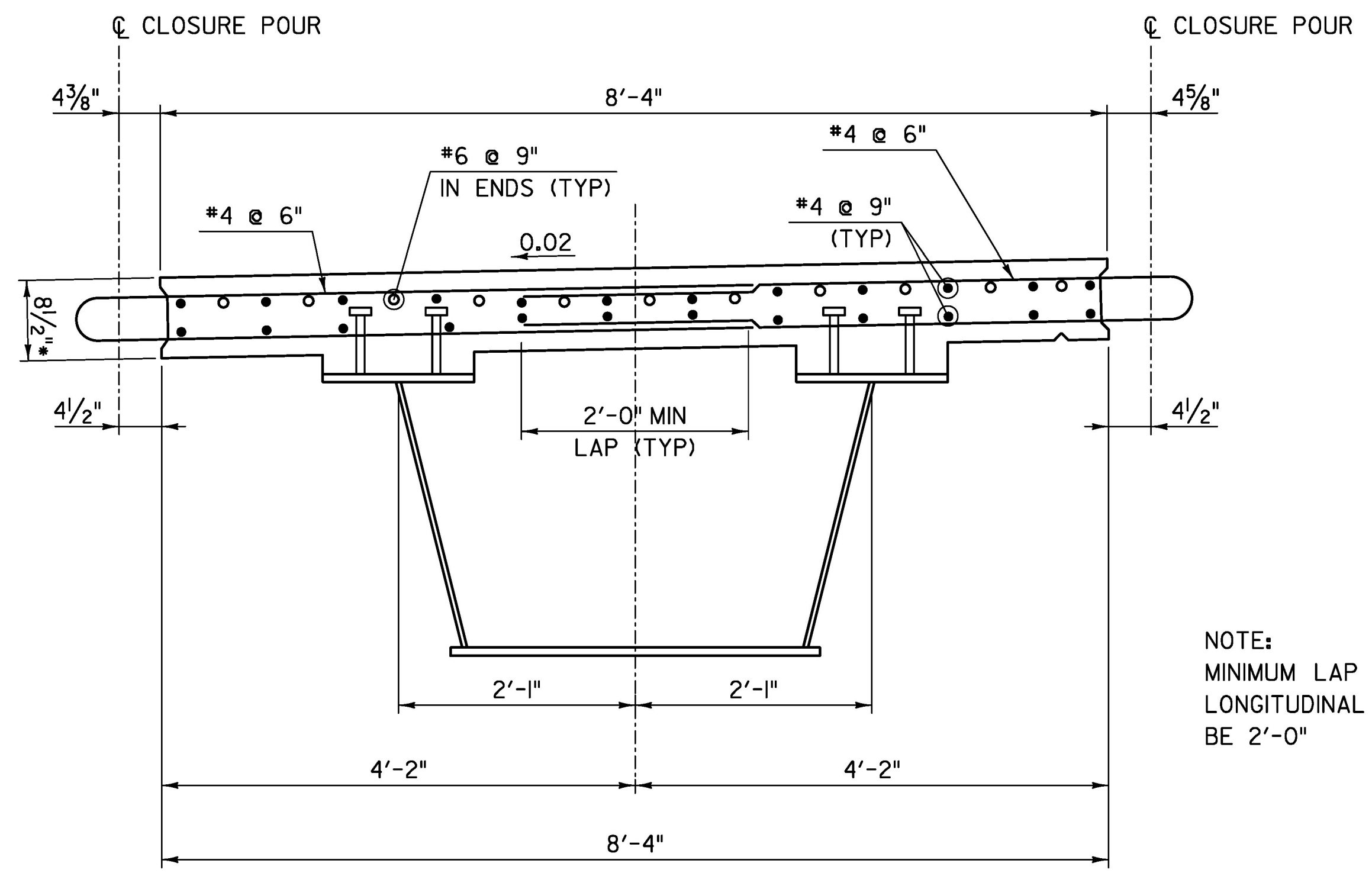


PBU 2 & 3 PLAN
 SCALE: 1/2" = 1'-0"
 (ABUTMENT 2 END SIMILAR)
 (STEEL TUB GIRDER NOT SHOWN FOR CLARITY)



PBU 2 & 3 - SECTION
 SCALE: 1/2" = 1'-0"

NOTE:
 MINIMUM LAP LENGTH FOR
 LONGITUDINAL #4 BARS SHALL
 BE 2'-0"

*NOTED DIMENSIONS AND/OR ELEVATIONS ARE BASED ON A FINAL DECK THICKNESS OF 8 1/2 INCHES. SEE PROJECT NOTES FOR ADDITIONAL INFORMATION.

TYLIN INTERNATIONAL	PROJECT NAME: CHelsea	PLOT DATE: 8/31/2016
	PROJECT NUMBER: BHF 0169(10)	DRAWN BY: S. MORGAN
	FILE NAME: z12ci52pbu2.dgn	CHECKED BY: J. OLUND
	DESIGNED BY: B. TOOTHAKER	SHEET 103 OF 137
	PBU TYPICAL SECTIONS AND DETAILS 2	