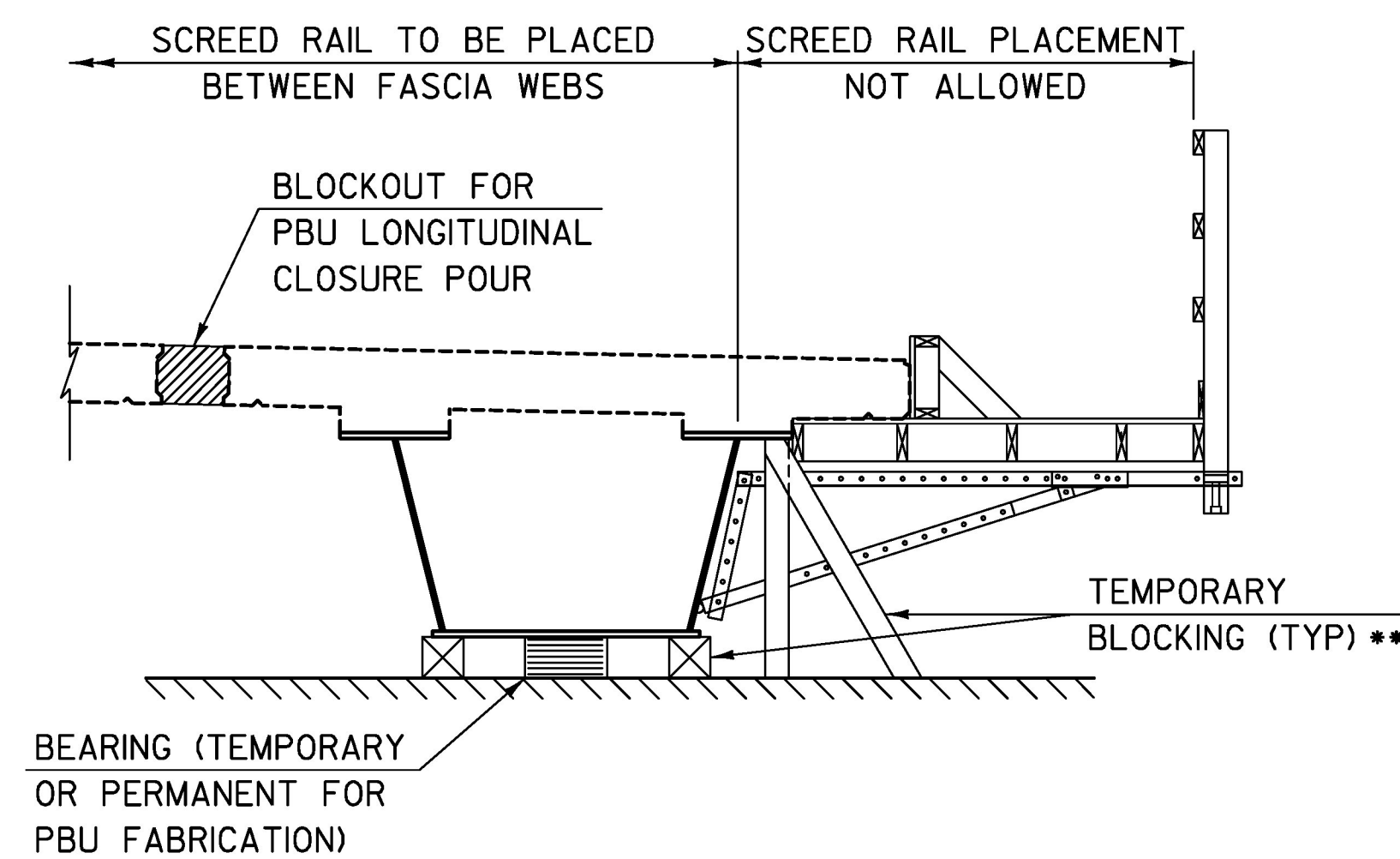


SUPERSTRUCTURE PLAN

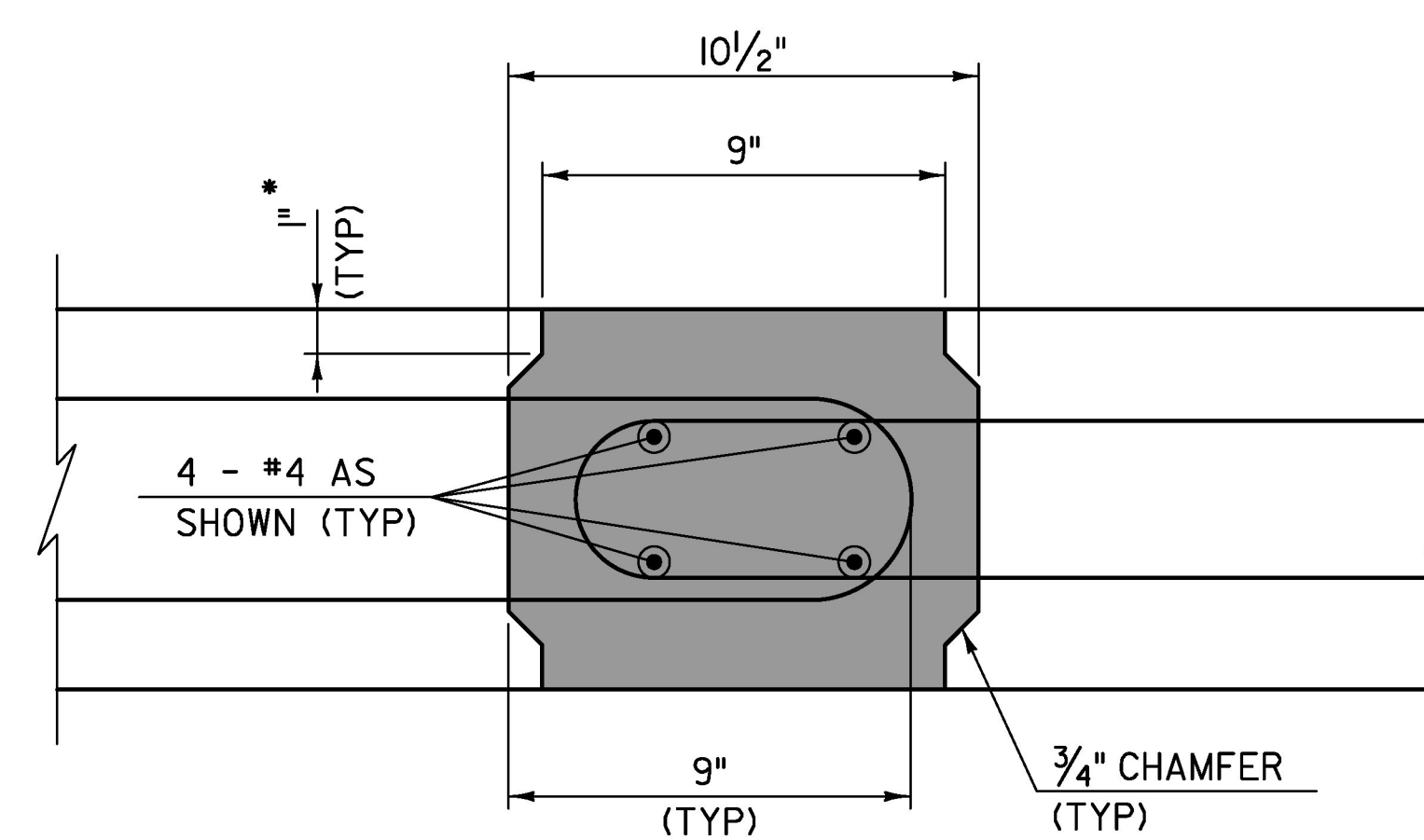
SCALE: 3/16" = 1'-0"



TEMPORARY BLOCKING DETAIL

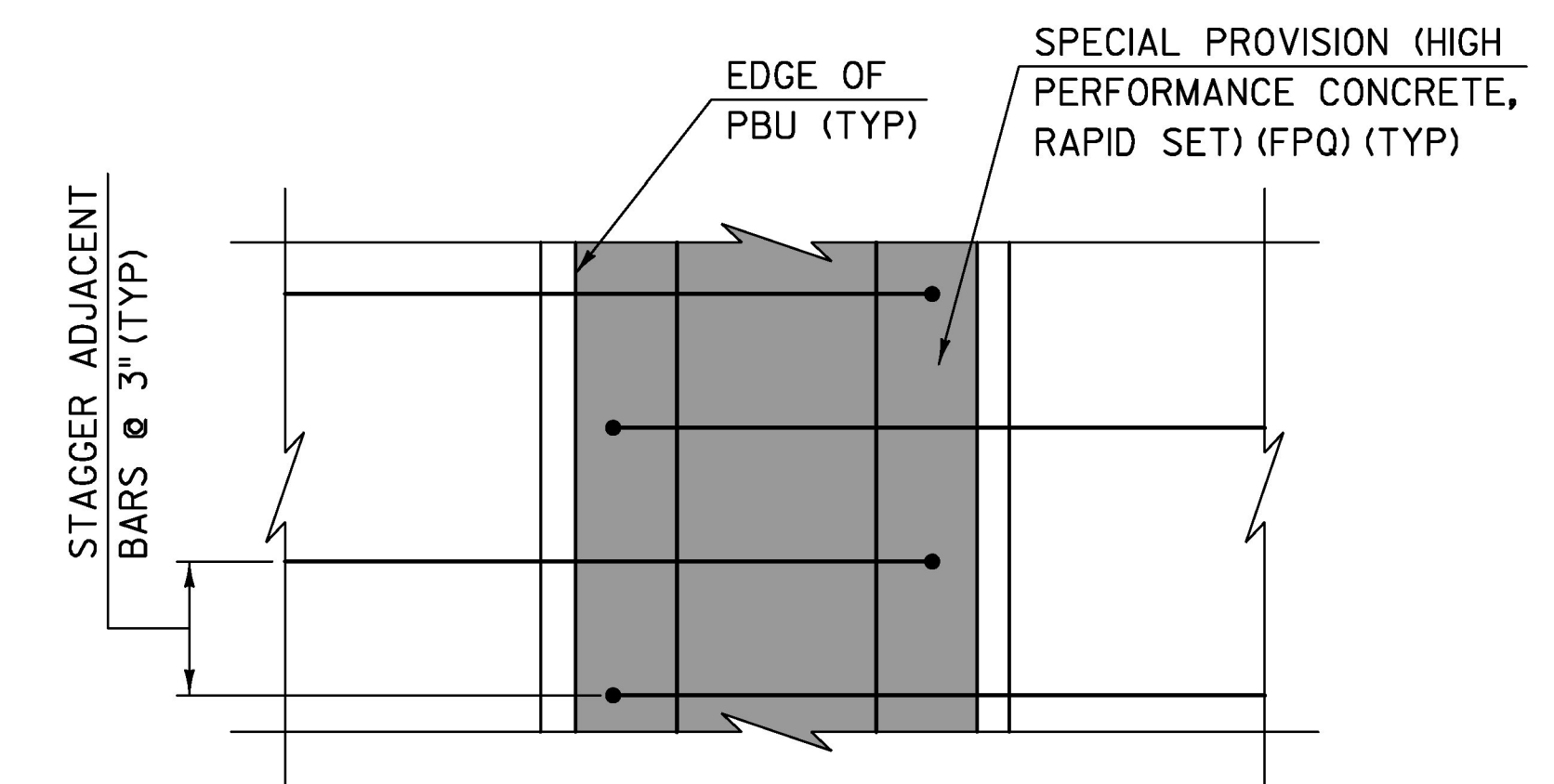
SCALE: 1/2" = 1'-0"

** TEMPORARY BLOCKING MAY BE NEEDED DURING DECK CASTING AND OTHER OPERATIONS TO PREVENT OVERTURNING OF THE GIRDERS CAUSED BY ECCENTRIC LOADING. THE CONTRACTOR SHALL INVESTIGATE AND INCORPORATE THE USE OF TEMPORARY BLOCKING DURING ALL OPERATIONS WITH ECCENTRIC LOADING, SUCH AS SCREED RAIL LOADING AND LIVE LOADING ON OVERHANG BRACKETS. TEMPORARY BLOCKING AND SUPPORTING CALCULATIONS SHOWING STABILITY OF THE GIRDERS SHALL BE SUBMITTED WITH THE PBU ERECTION PLAN.



CLOSURE POUR DETAIL SECTION

SCALE: 3" = 1'-0"



CLOSURE POUR DETAIL PLAN

SCALE: 3" = 1'-0"

*NOTED DIMENSIONS AND/OR ELEVATIONS ARE BASED ON A FINAL DECK THICKNESS OF 8 1/2 INCHES. SEE PROJECT NOTES FOR ADDITIONAL INFORMATION.

FOR REVIEW ONLY NOT FOR CONSTRUCTION TYLIN INTERNATIONAL	PROJECT NAME: CHelsea PROJECT NUMBER: BHF 0169(10)	
	FILE NAME: z12ci52deck.dgn PROJECT LEADER: J. OLUND DESIGNED BY: T. POULIN SUPERSTRUCTURE PLAN	PLOT DATE: 8/31/2016 DRAWN BY: S. MORGAN CHECKED BY: J. OLUND SHEET 101 OF 137