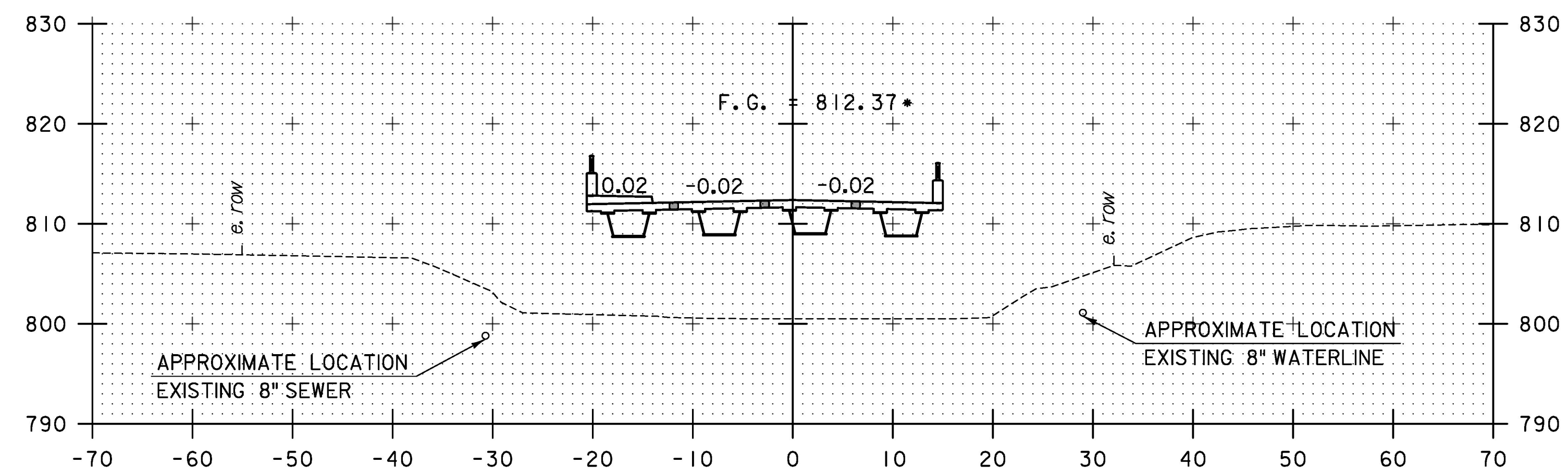
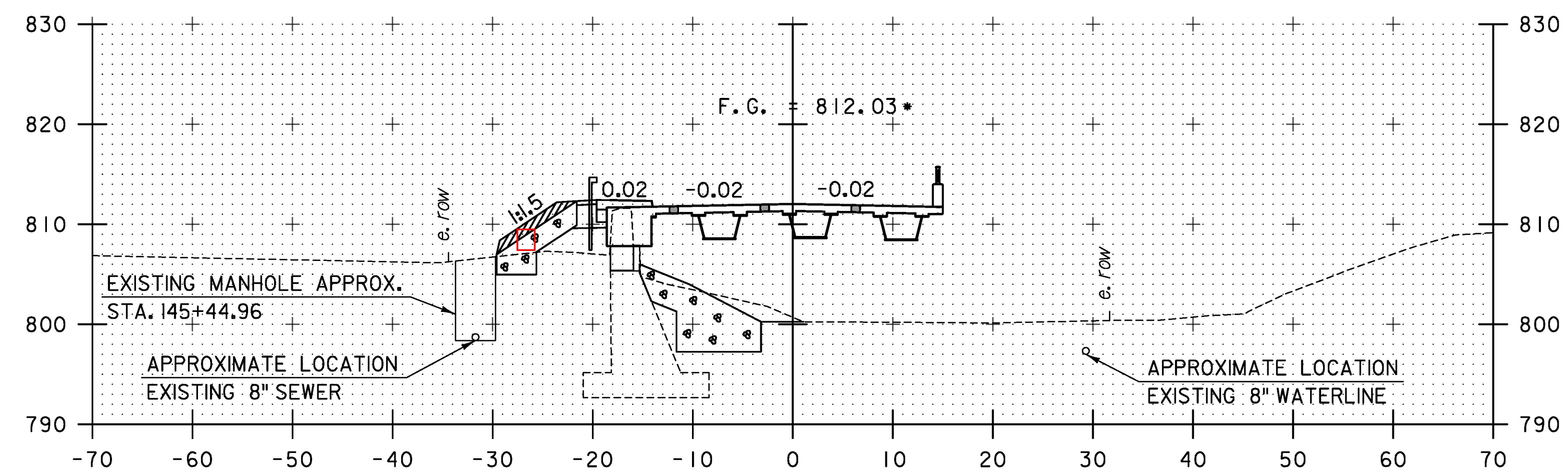


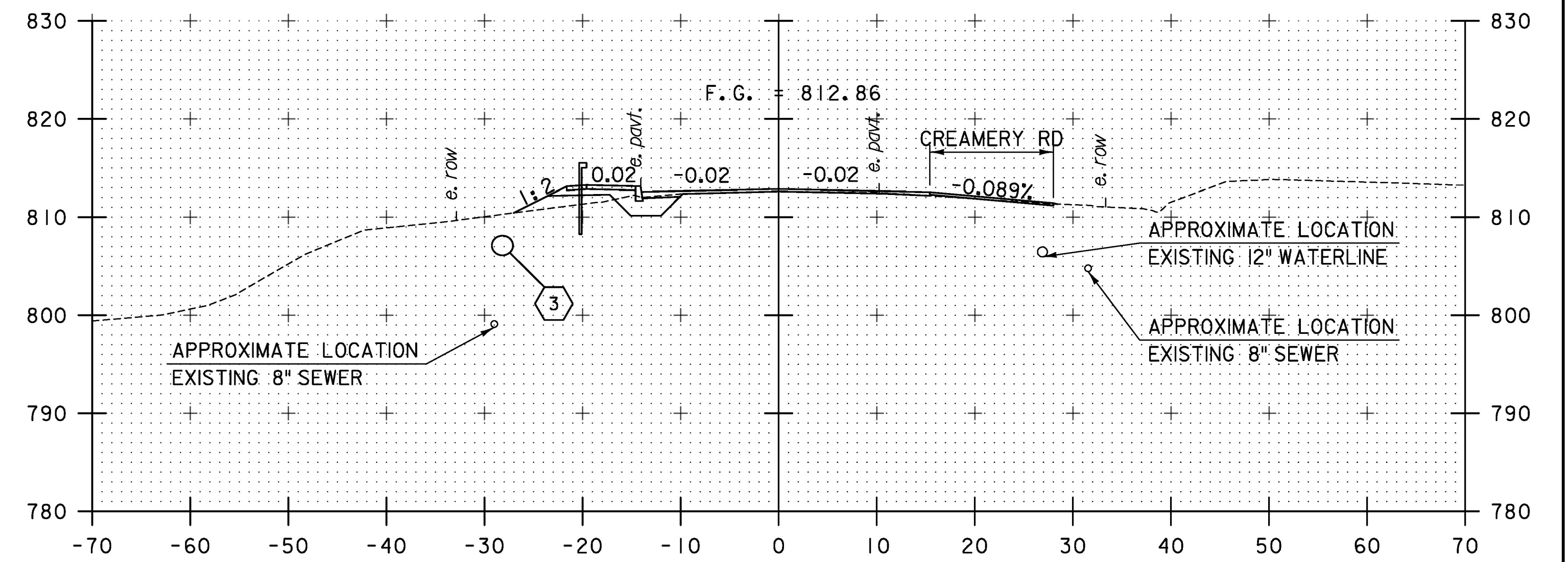
146+00



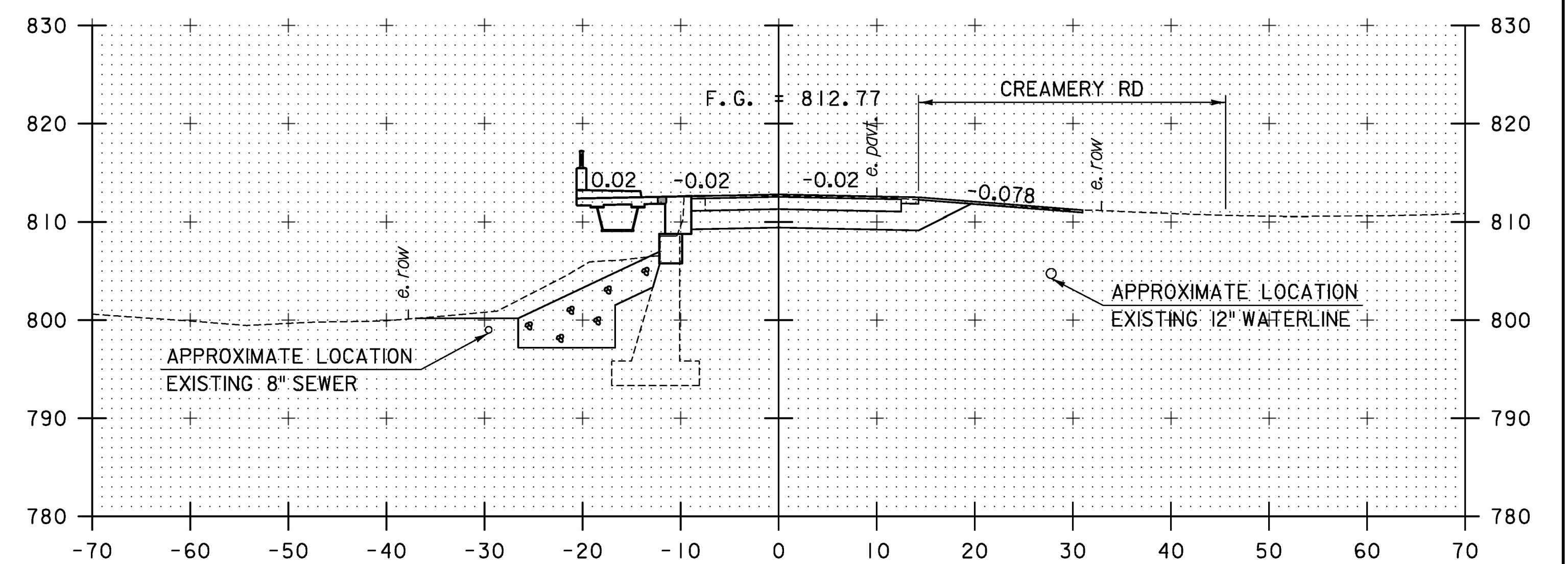
145+75



145+50
BEGIN BRIDGE STA. 145+31.41



146+50
END PROJECT



146+25
END BRIDGE STA. 146+16.09

* NOTED DIMENSIONS AND/OR ELEVATIONS ARE BASED ON A FINAL DECK THICKNESS OF 8 1/2 INCHES. SEE GENERAL NOTES FOR ADDITIONAL INFORMATION.

STA. 145+50 TO STA. 146+50

TYLIN INTERNATIONAL

PROJECT NAME: CHelsea
PROJECT NUMBER: BHF 0169(9)

FILE NAME: z12ci50xs.dgn
PROJECT LEADER: J. OLUND
DESIGNED BY: B. TOOTHAKER
VT IIO CROSS SECTIONS 2

PLOT DATE: 8/31/2016
DRAWN BY: B. TOOTHAKER
CHECKED BY: T. POULIN
SHEET 61 OF 137