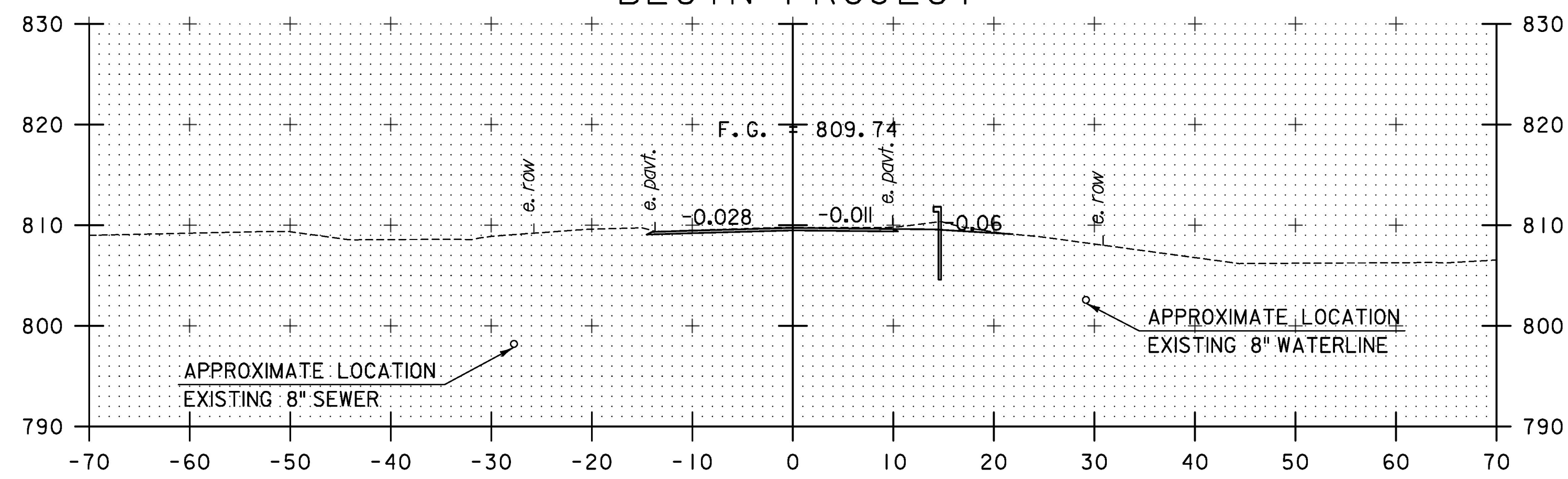
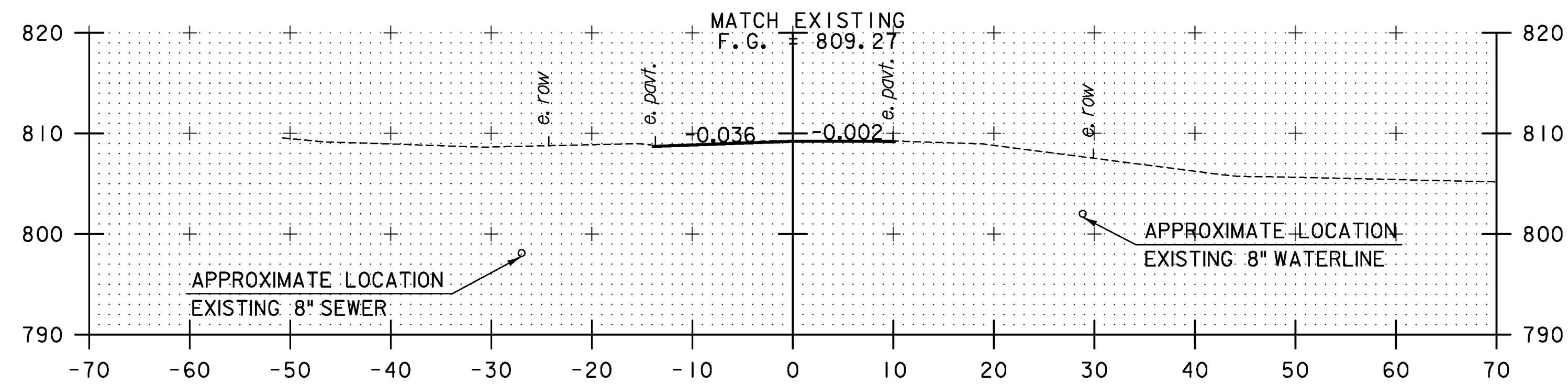


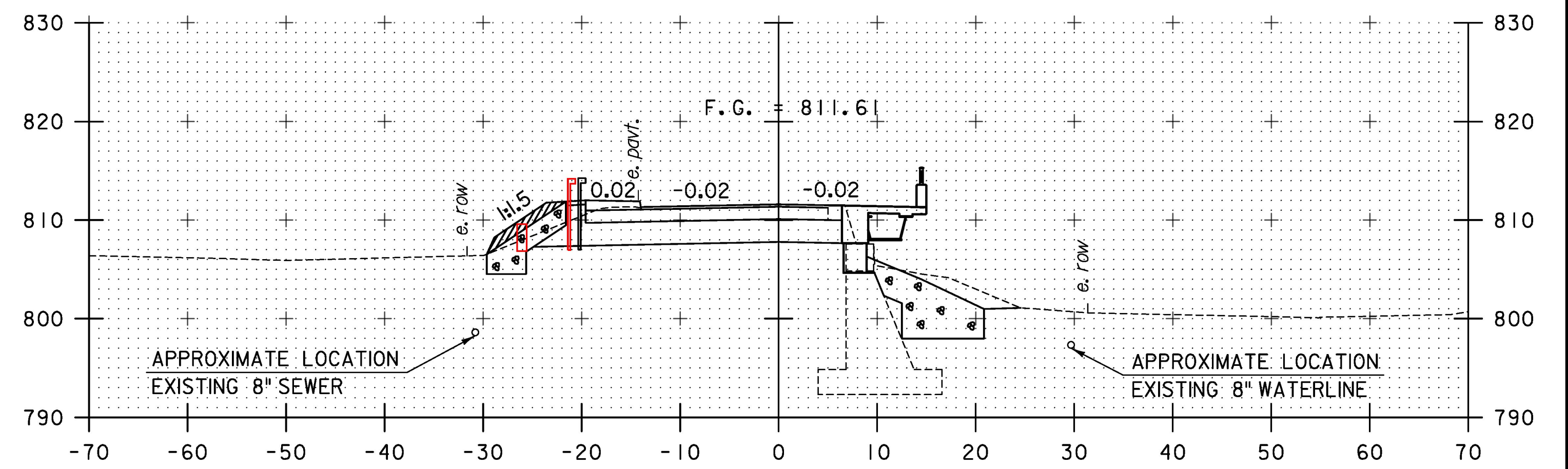
144+50
BEGIN PROJECT



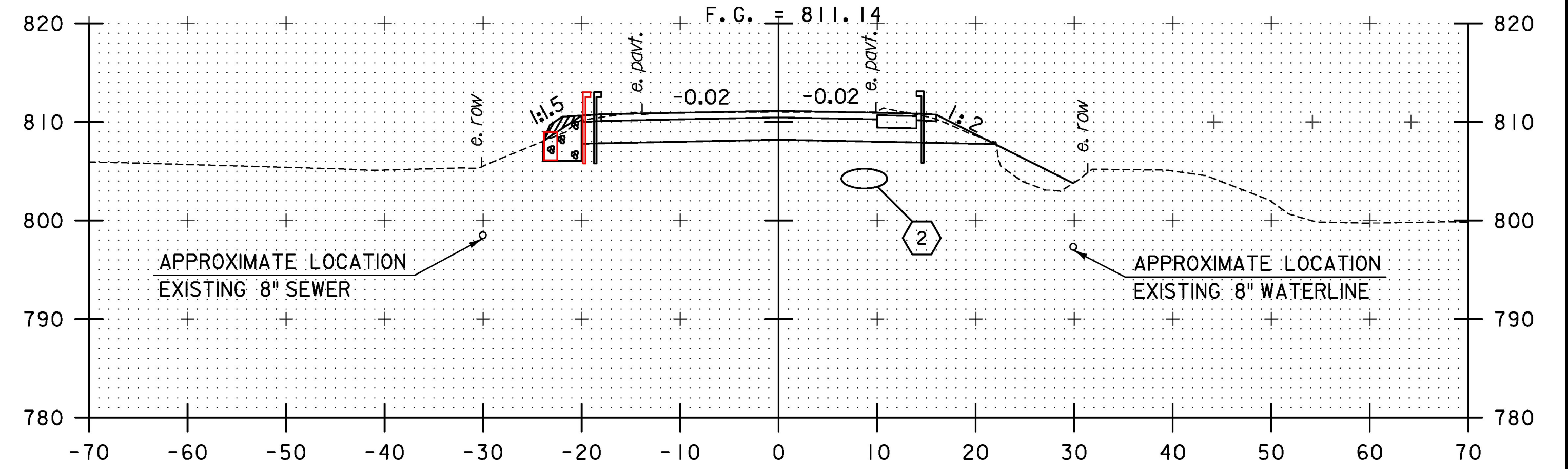
144+25



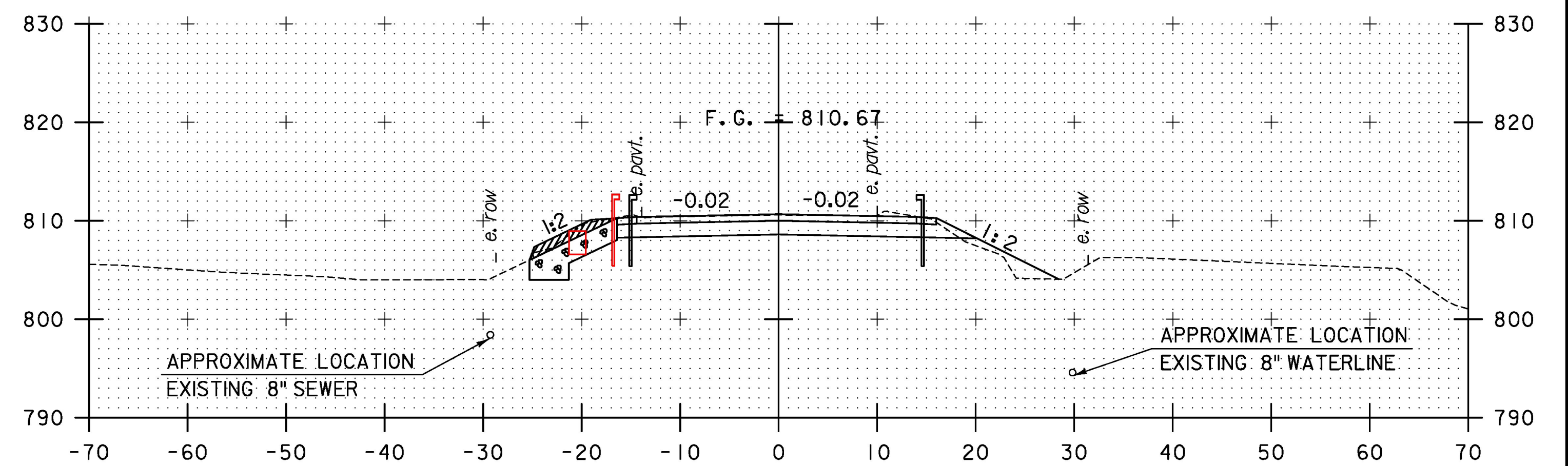
144+00
BEGIN APPROACH



145+25



145+00



STA. 144+70 LT BEGIN STONE
RETAINING WALL

144+75

TYLIN INTERNATIONAL

STA. 144+00 TO STA. 145+25

PROJECT NAME: CHelsea
PROJECT NUMBER: BHF 0169(9)

FILE NAME: z12ci50xs.dgn
PROJECT LEADER: J. OLUND
DESIGNED BY: B. TOOTHAKER
VT 110 CROSS SECTIONS I

PLOT DATE: 8/31/2016
DRAWN BY: B. TOOTHAKER
CHECKED BY: T. POULIN
SHEET 60 OF 137