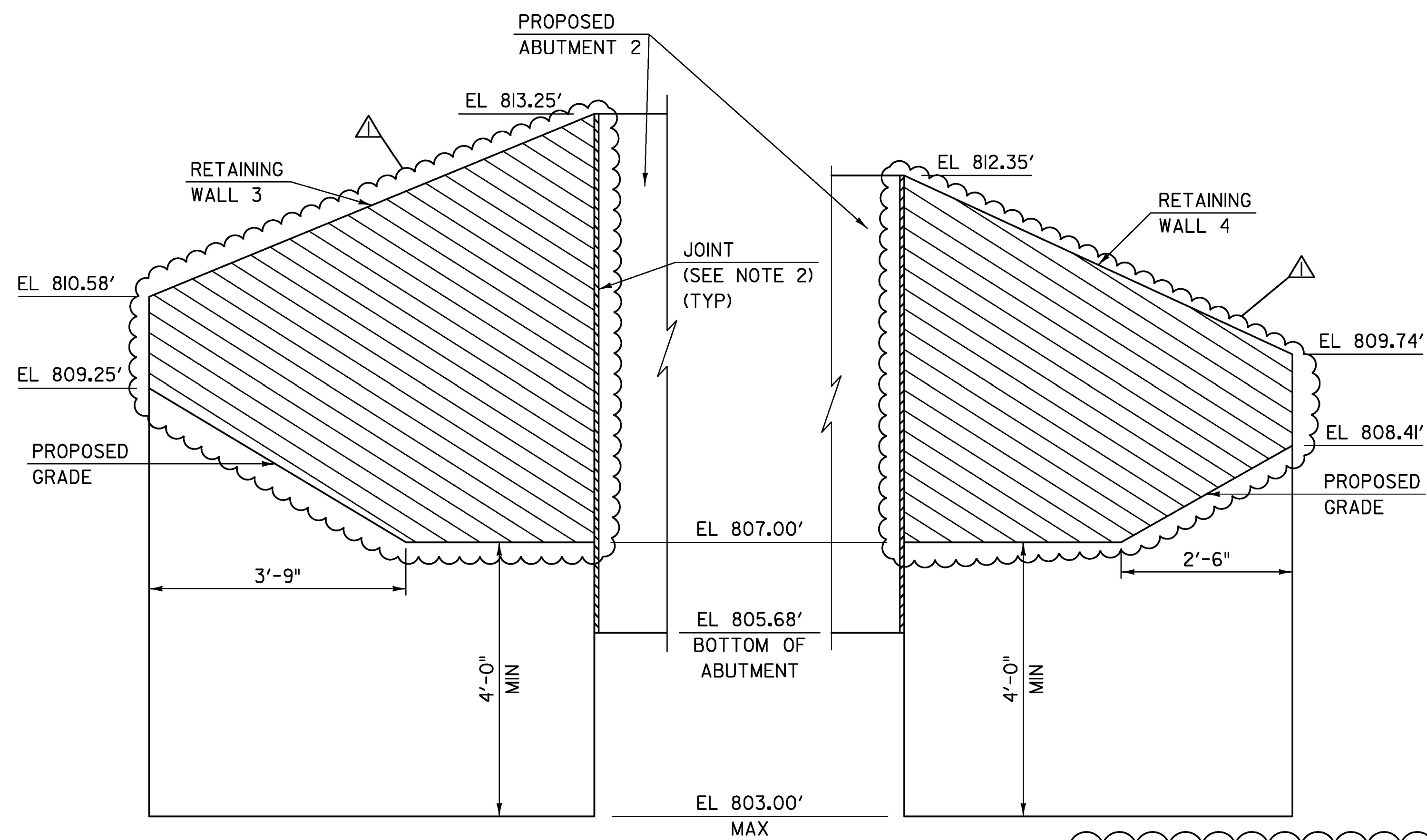


NOTE:
 SEE "RETAINING WALL DETAILS 1" SHEET FOR NOTES
 AND TYPICAL SECTION.

RETAINING WALLS 3 & 4 PLAN
 SCALE: 3/4" = 1'-0"



PAY LIMITS OF ITEM 900.670, "SPECIAL PROVISION (RETAINING WALL)"

RETAINING WALLS 3 & 4 ELEVATION
 SCALE: 3/4" = 1'-0"

REV	DATE	DESCRIPTION
△	10/26/2016	PAY LIMIT CLARIFICATION

TYLIN INTERNATIONAL

PROJECT NAME: CHelsea	PLOT DATE: 10/25/2016
PROJECT NUMBER: BHF 0169(9)	DRAWN BY: J. HOWE
FILE NAME: z12ci50rwall2.dgn	CHECKED BY: T. POULIN
PROJECT LEADER: J. OLUND	SHEET 54 OF 137
DESIGNED BY: B. TOOTHAKER	
RETAINING WALL DETAILS 2	