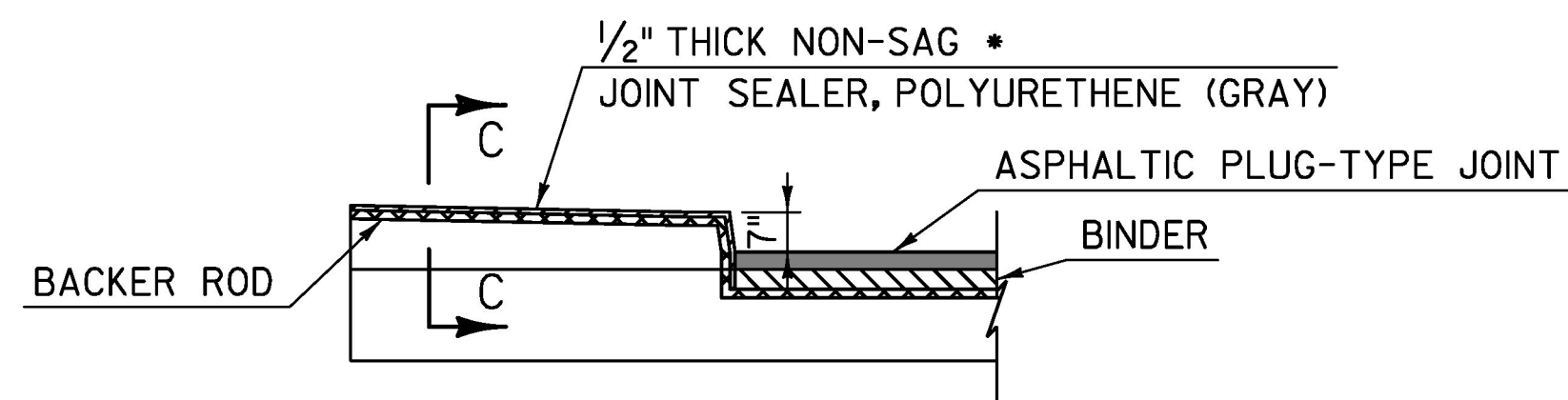


APPROACH SLAB NO 2 PLAN VIEW

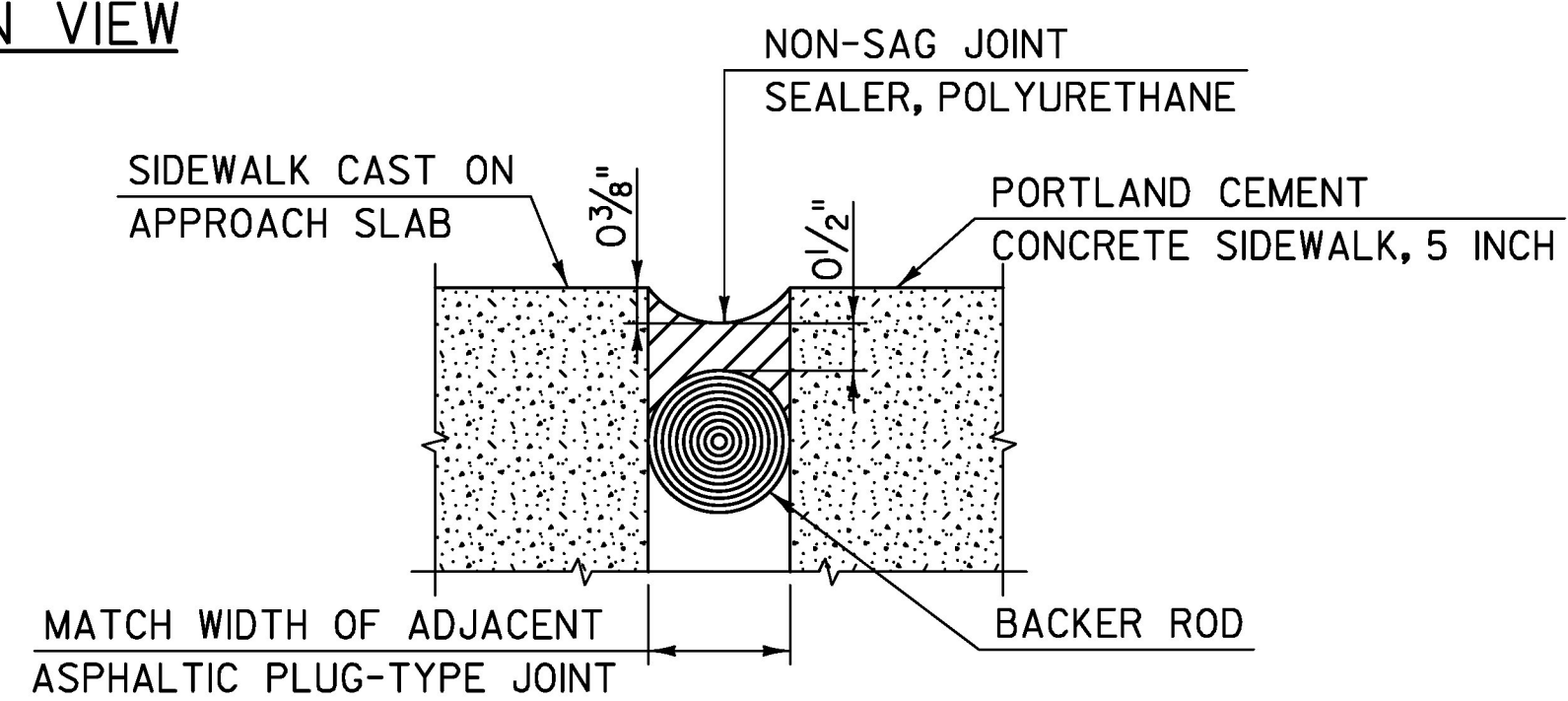
SCALE: 3/8" = 1'-0"



SIDEWALK JOINT DETAIL

SCALE: 3/8" = 1'-0"

* APPLY FOR FULL WIDTH OF SIDEWALK AND CURB HEIGHT PRIOR TO POURING ASPHALTIC PLUG JOINT BINDER.



SECTION C-C

SCALE: 6" = 1'-0"

LAYOUT AND BOTTOM ELEVATIONS			
	STATION	OFFSET	BOTTOM ELEVATION
2A	146+35.69	19.60 LT	810.84
2F	146+16.09	0.00	811.15
2J	146+02.09	14.00 RT	810.77
2K	146+55.09	19.60 LT	810.86
2L	146+55.09	14.00 LT	810.96
2Q	146+41.09	0.00	811.17
2U	146+27.09	14.00 RT	810.79

APPROACH SLAB THICKNESSES	
	THICKNESS
2A - 2K	16"
2L	16 1/8"
2M	16 1/4"
2N	16 1/4"
2O	16 3/4"
2P	16 3/4"
2Q	16 7/8"
2R	16 7/8"
2S	17 1/4"
2T	17 1/4"
2U	17 5/8"

NOTE:
SEE "APPROACH SLAB DETAILS 1" SHEET FOR NOTES, ELEVATION VIEW AND SECTIONS.

TYLIN INTERNATIONAL	PROJECT NAME: CHelsea	PLOT DATE: 8/31/2016
	PROJECT NUMBER: BHF 0169(9)	DRAWN BY: S. MORGAN
	FILE NAME: z12ci50aslab2.dgn	CHECKED BY: T. POULIN
	DESIGNED BY: B. TOOTHAKER	SHEET 49 OF 137
	APPROACH SLAB DETAILS 2	