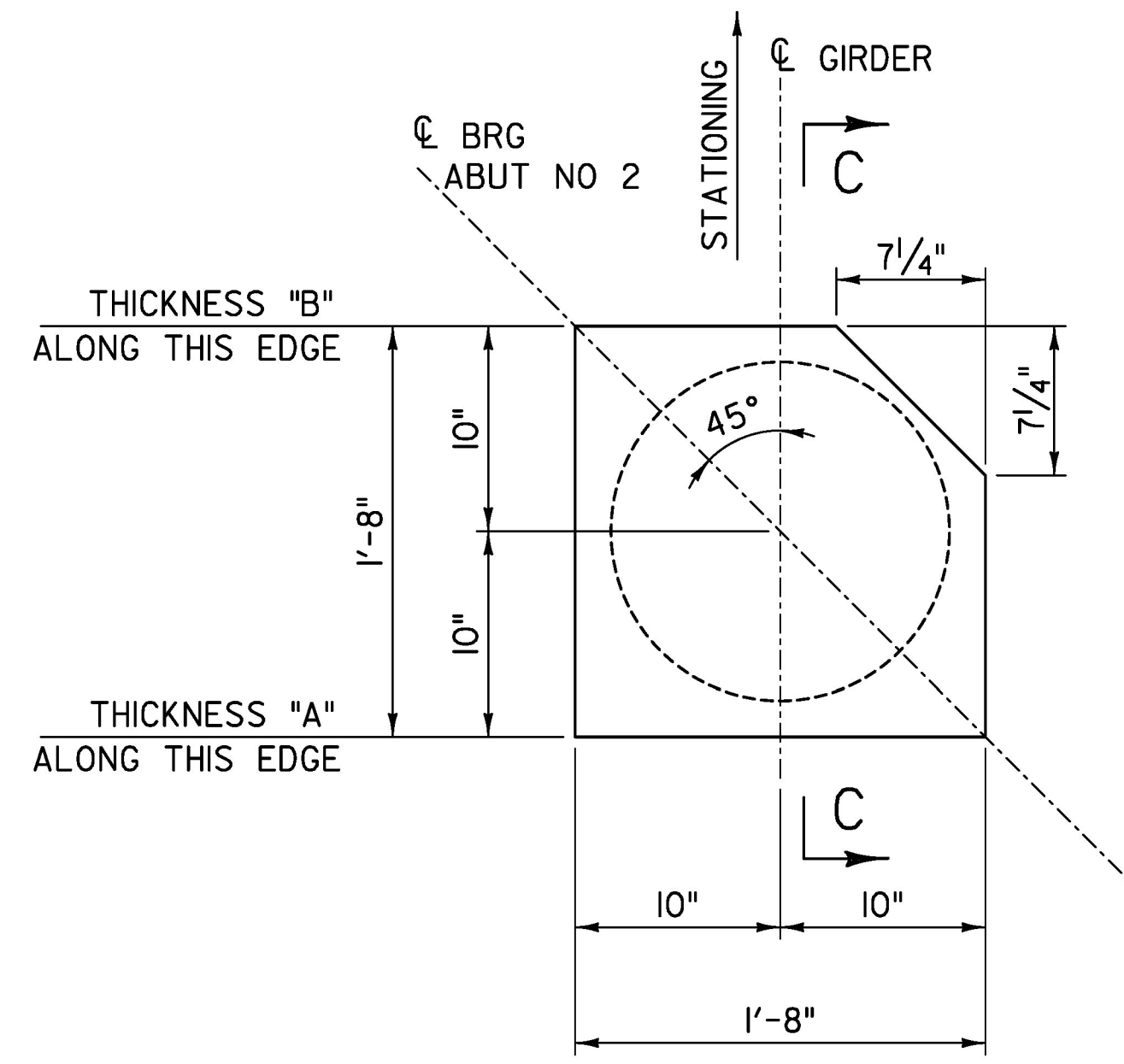
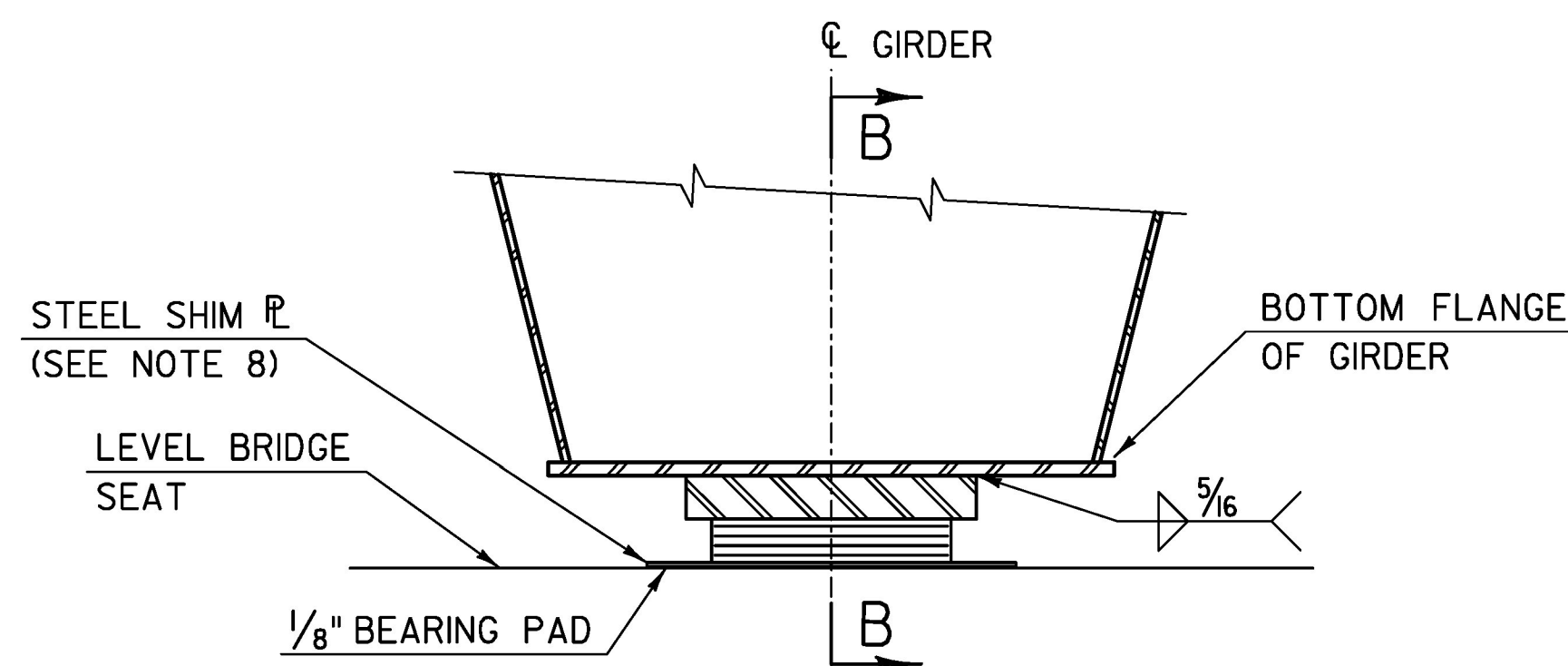


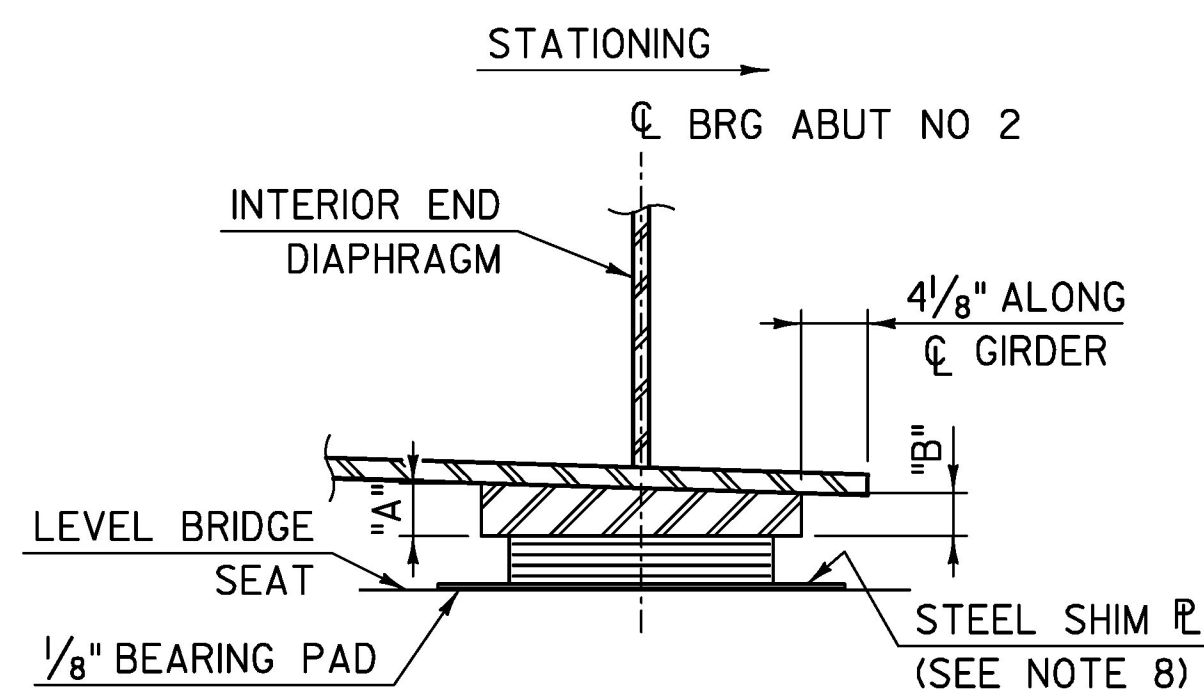
BEARING ORIENTATION PLAN
SCALE: 1" = 1'-0"



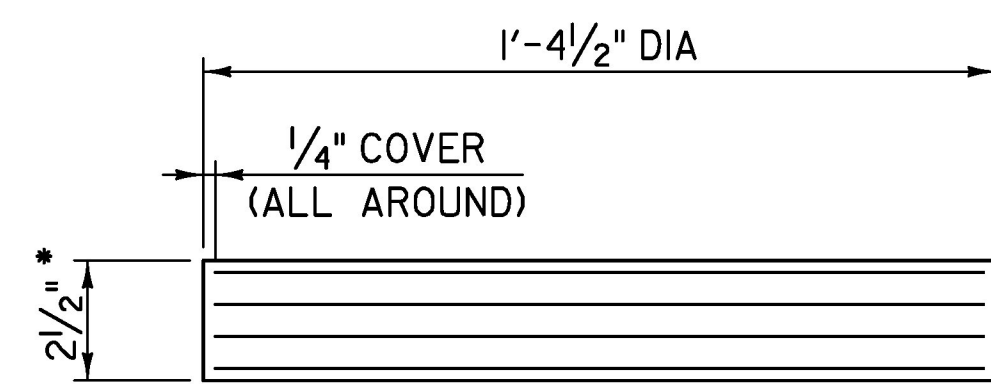
BEVELED SOLE PLATE PLAN
SCALE: 1/2" = 1'-0"



**SECTION A-A
BEARING ELEVATION**
SCALE: 1" = 1'-0"

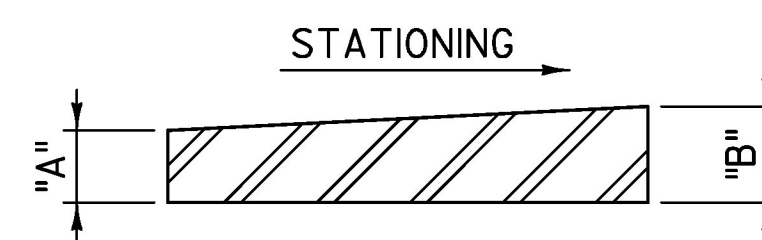


**SECTION B-B
SIDE ELEVATION**
SCALE: 1" = 1'-0"



- * 2 - 1/4" EXTERIOR ELASTOMER LAYERS
- 3 - 1/2" INTERIOR ELASTOMER LAYERS
- 4 - 11 GAGE STEEL REINFORCING PLATES

BEARING DETAILS
SCALE: 3" = 1'-0"



**SECTION C-C
SOLE PLATE SECTION**
SCALE: 1/2" = 1'-0"

NOTES:

- I. BEARINGS SHALL CONFORM TO THE APPLICABLE SUBSECTIONS OF SECTIONS 531 AND 731.
2. ALL STEEL REINFORCING PLATES BETWEEN LAYERS OF ELASTOMER SHALL MEET THE REQUIREMENTS OF SUBSECTION 714.02. ALL INTERNAL STEEL PLATES SHALL BE SAND BLASTED AND FREE OF COATINGS, RUST, AND MILL SCALE. THE PLATES SHALL BE FREE OF SHARP EDGES AND BURRS.
3. STEEL REINFORCED ELASTOMERIC BEARINGS SHALL HAVE A MINIMUM 1/4" EDGE SEAL OF ELASTOMER INTEGRAL WITH BEARING OVER ALL INTERNAL PLATES.
4. THE ELASTOMER SHALL HAVE A NOMINAL HARDNESS OF 60 ON THE SHORE A SCALE.
5. THE ELASTOMER SHALL MEET THE REQUIREMENTS FOR LOW TEMPERATURE ZONE D, GRADE 4.
6. STEEL REINFORCED ELASTOMERIC PAD SHALL NOT BE VULCANIZED TO THE SOLE PLATE.
7. SOLE PLATES SHALL BE SHOP WELDED TO THE STEEL TUB GIRDERS. PAYMENT WILL BE MADE UNDER ITEM 531.17, "BEARING DEVICE ASSEMBLY, STEEL REINFORCED ELASTOMERIC PAD."
8. THE CONTRACTOR IS ADVISED TO HAVE 1'-6" x 1'-6" GALVANIZED STEEL SHIMS OF VARYING THICKNESSES AVAILABLE FOR USE FOR ELEVATION ADJUSTMENTS UPON SETTING THE SUPERSTRUCTURE UNITS. THE SHIMS SHALL BE FABRICATED ACCORDING TO SECTION 531 AND SHALL BE INCLUDED IN THE UNIT BID PRICE FOR ITEM 531.17, "BEARING DEVICE ASSEMBLY, STEEL ELASTOMERIC PAD." THE STEEL SHIMS SHALL ONLY BE USED IF ELEVATION ADJUSTMENTS ARE NECESSARY. A MAXIMUM OF 1 SHIM PER BEARING WILL BE ALLOWED AND SHALL BE PLACED BETWEEN THE BEARING PAD AND ELASTOMERIC BEARING.
9. DETAILS PROVIDED HEREIN ARE AT ABUTMENT NO 2; ABUTMENT NO 1 DETAILS ARE SIMILAR.
10. INTERNAL DIAPHRAGMS, BEARING STIFFENERS, AND CURTAIN WALLS HAVE BEEN OMITTED FROM DETAILS SHOWN ON THIS SHEET.
- II. DESIGN CRITERIA (AASHTO METHOD A):

DESIGN SHEAR MODULUS:	130 PSI TO 200 PSI
MAXIMUM BEARING STRESS:	1190 PSI
DESIGN DEAD LOAD (UNFACTORED):	92 KIPS
DESIGN LIVE LOAD (UNFACTORED):	131 KIPS
DESIGN LONGITUDINAL MOVEMENT:	0.90 IN

BEVELED SOLE PLATE THICKNESS TABLE (INCHES)				
	ABUTMENT NO 1		ABUTMENT NO 2	
	"A"	"B"	"A"	"B"
G1	1.35	1.65	2.00	2.00
G2	1.83	2.17	1.50	1.50
G3	1.32	1.68	2.19	2.31
G4	1.31	1.69	1.42	1.58

TYLIN INTERNATIONAL	PROJECT NAME: CHelsea	PLOT DATE: 8/31/2016
	PROJECT NUMBER: BHF 0169(9)	DRAWN BY: S. MORGAN
	FILE NAME: z12ci50brg.dgn	CHECKED BY: T. POULIN
	DESIGNED BY: J. OLUND	SHEET 47 OF 137
	BEARING DETAILS	