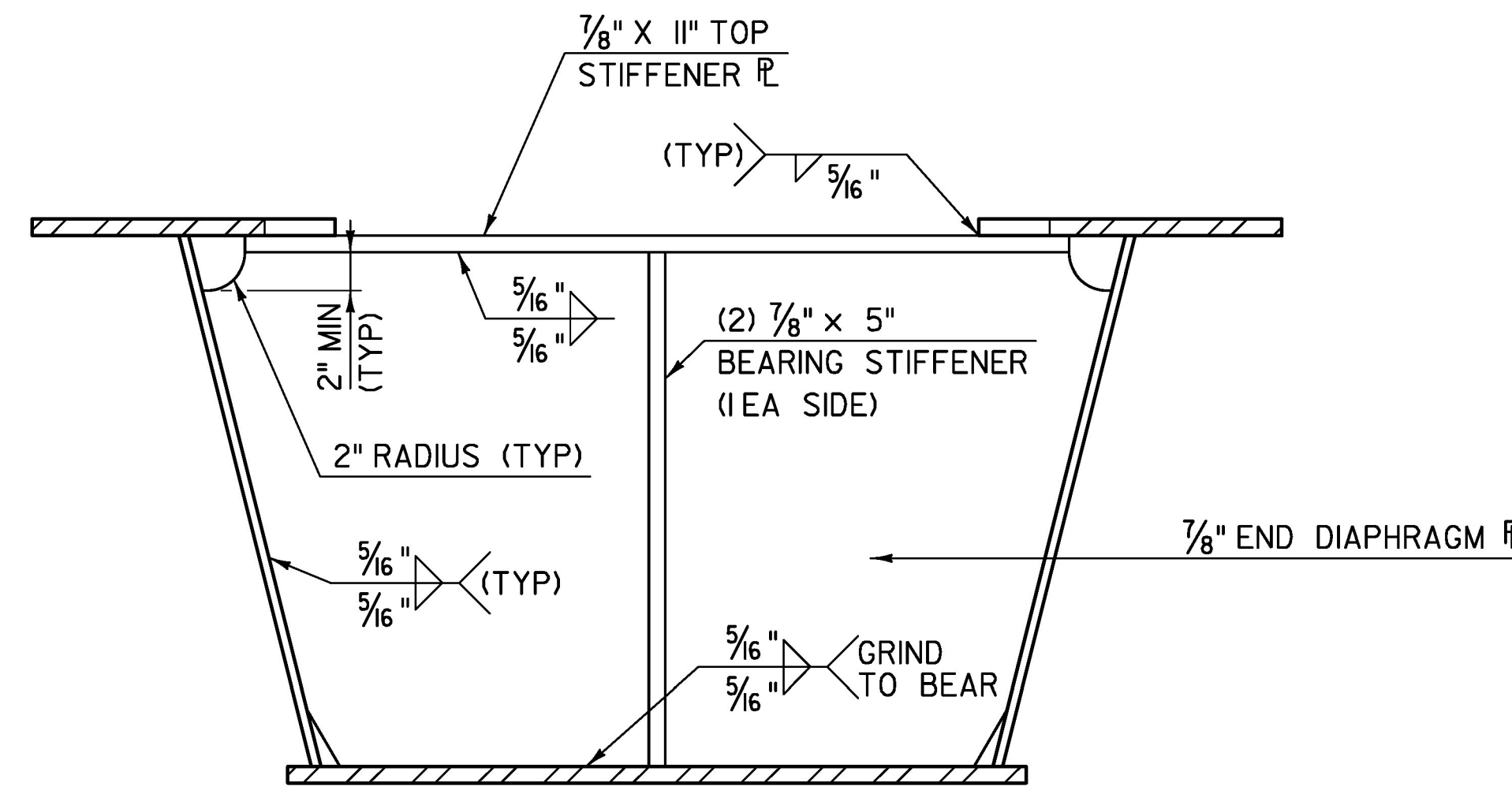


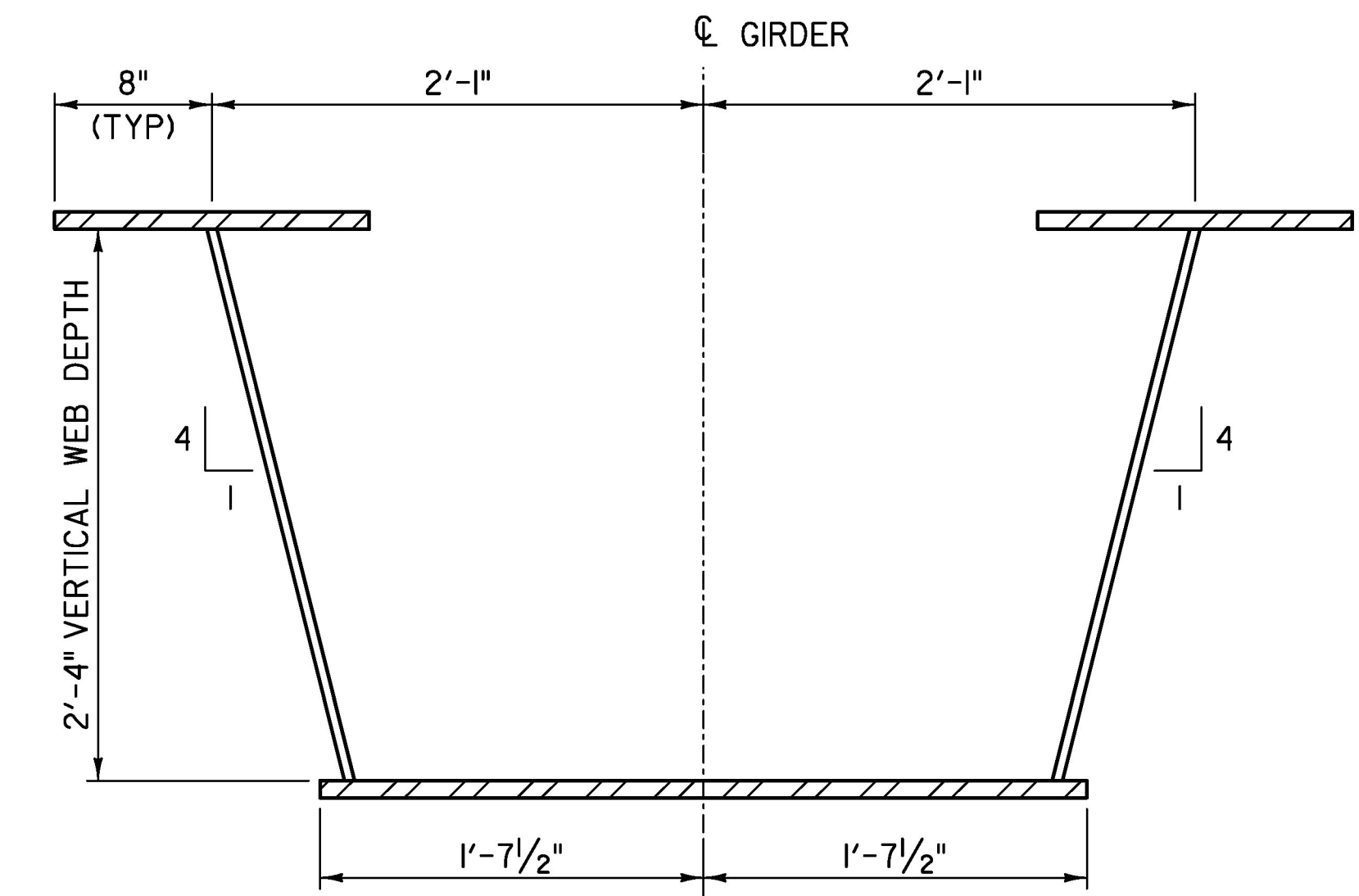
CROSSFRAME DETAIL

SCALE: 1/2" = 1'-0"



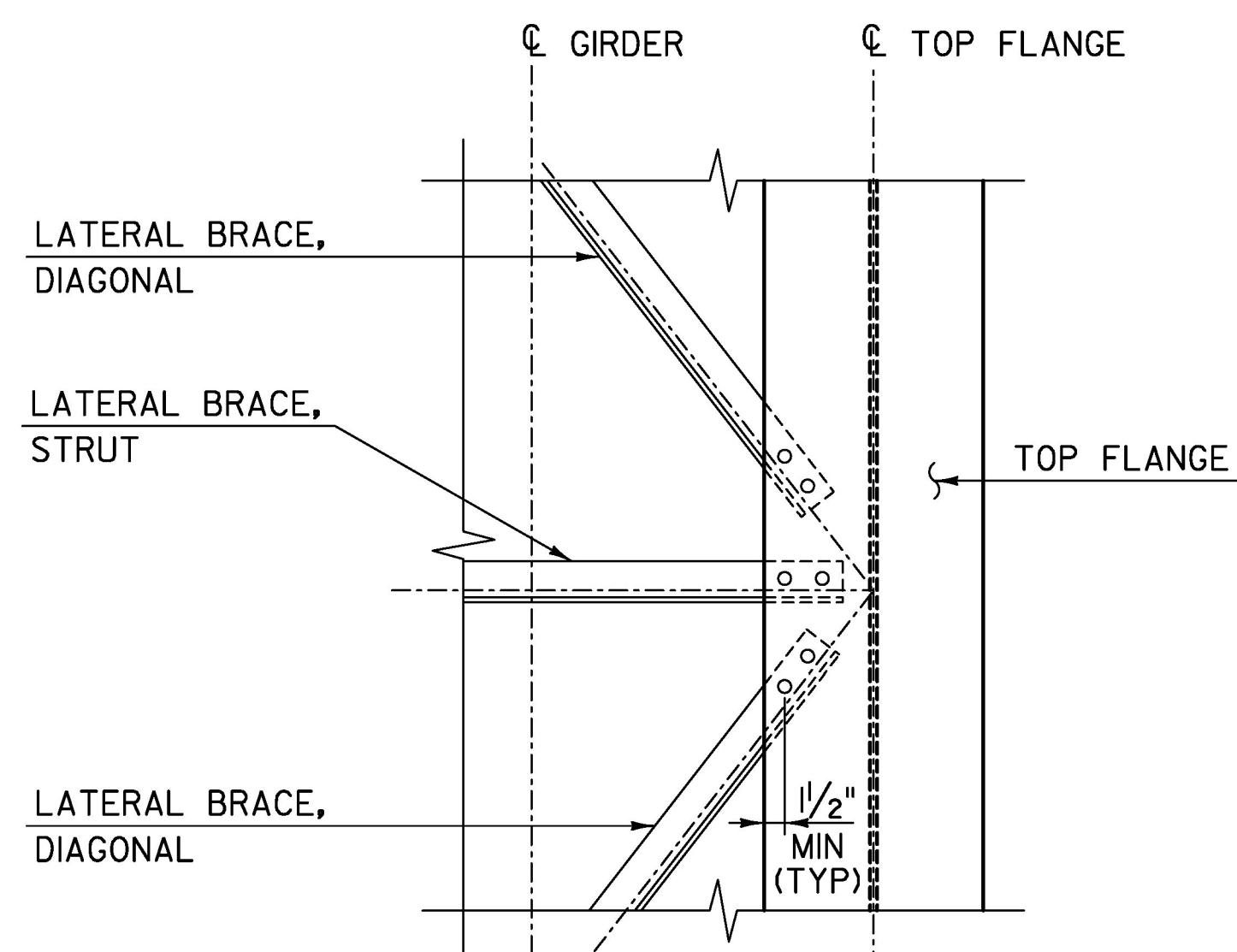
END DIAPHRAGM DETAIL

SCALE: 1/2" = 1'-0"
(NOT ADJUSTED FOR SKEW FOR CLARITY)



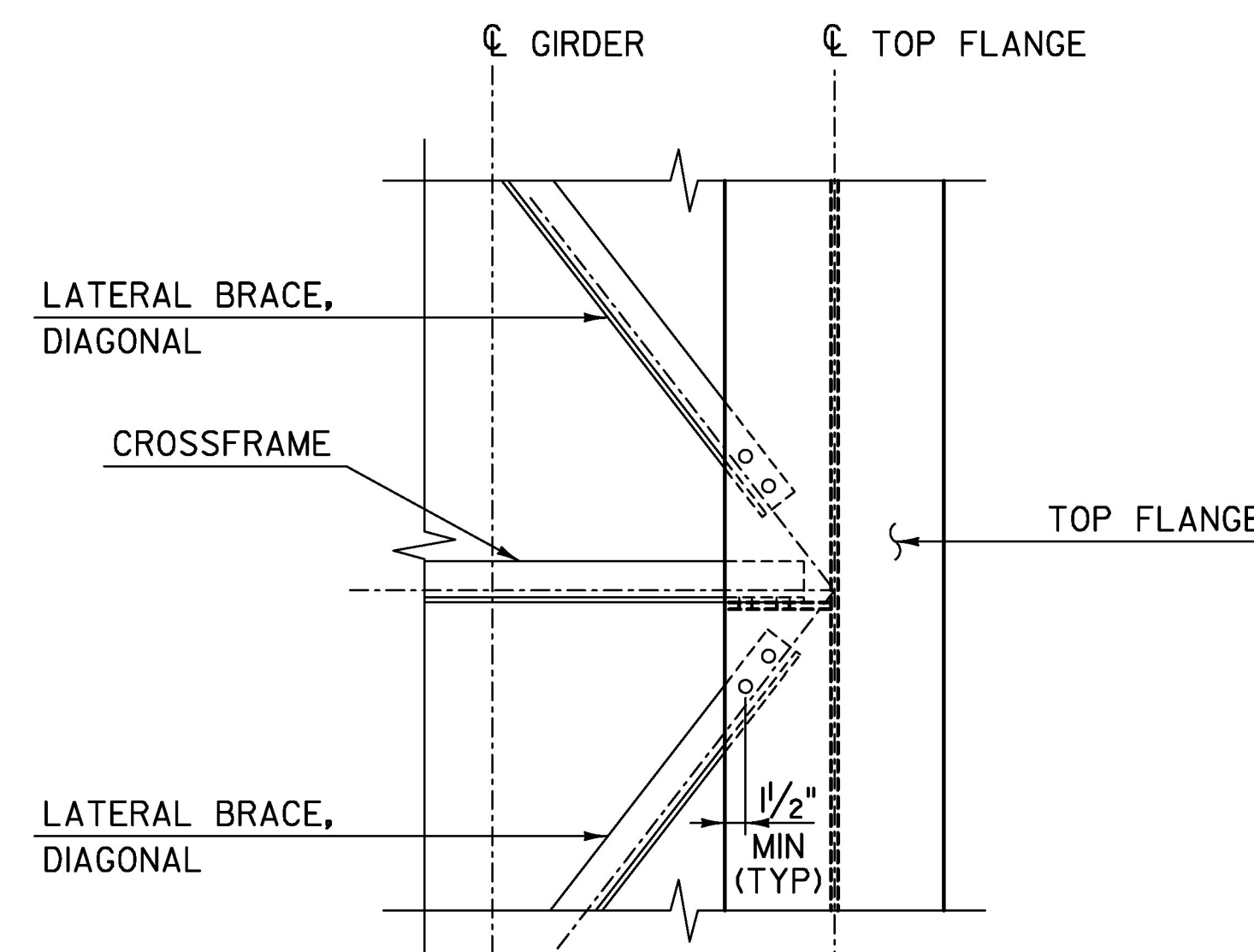
GIRDER GEOMETRY DETAIL

SCALE: 1/2" = 1'-0"



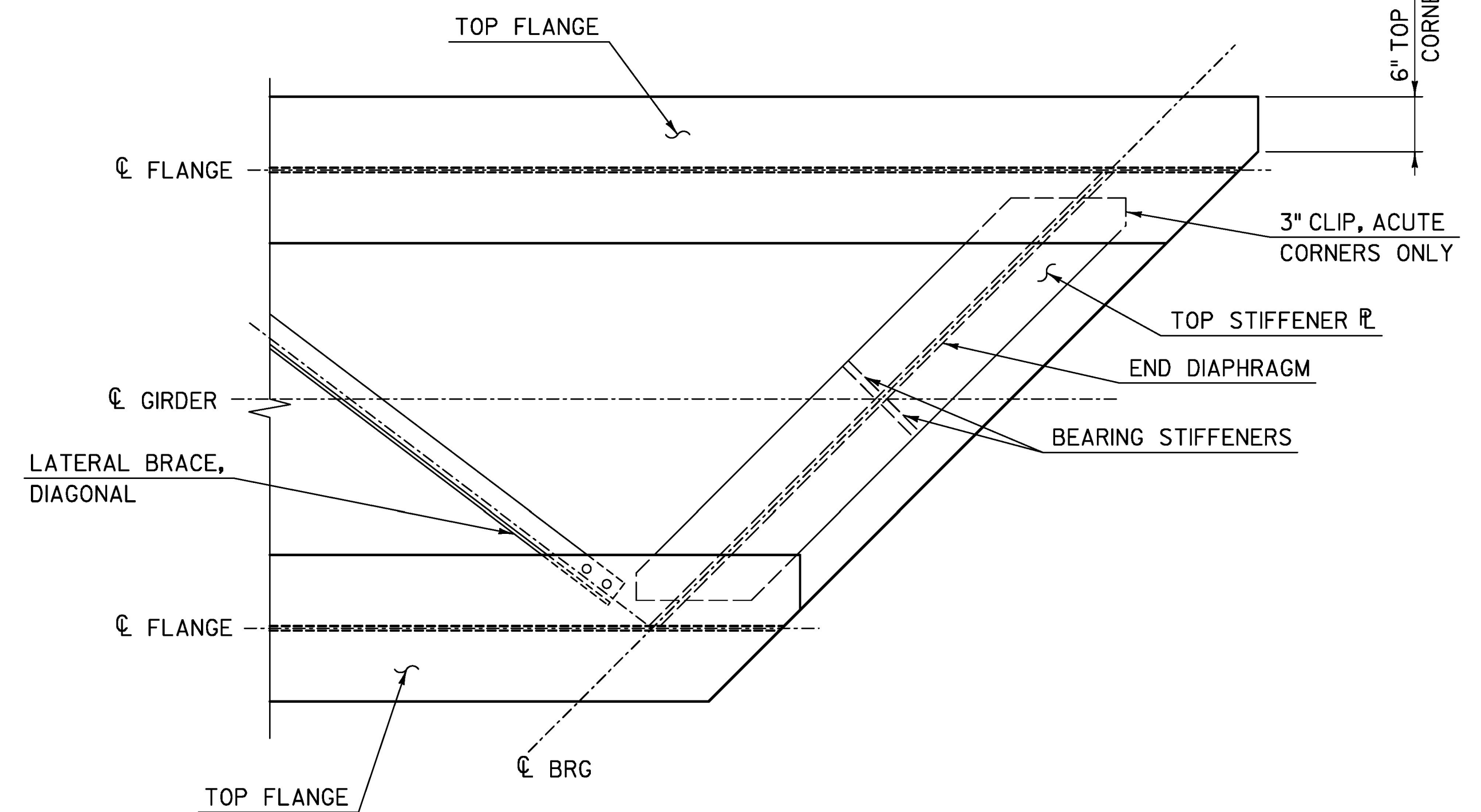
DETAIL A

SCALE: 1" = 1'-0"



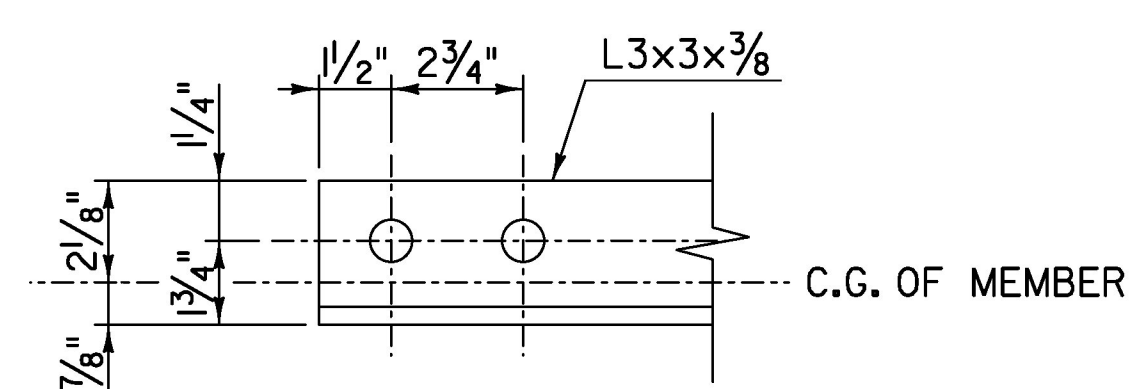
DETAIL B

SCALE: 1" = 1'-0"



DETAIL C

SCALE: 1" = 1'-0"
(ABUTMENT 2 SHOWN, ABUTMENT 1 SIMILAR)
(GIRDER SHEAR CONNECTORS NOT SHOWN FOR CLARITY)



CROSS FRAME AND BRACING MEMBER CONNECTION DETAIL

SCALE: 3" = 1'-0"

NOTES:

1. ALL CROSSFRAME AND LATERAL BRACE MEMBERS SHALL BE L3x3x3/8 UNLESS OTHERWISE NOTED.
2. REFER TO STRUCTURES DETAIL SD-602.00 FOR CONNECTION PLATE AND BEARING STIFFENER DETAILS AND WELDS.

TYLININTERNATIONAL

PROJECT NAME: CHelsea
PROJECT NUMBER: BHF 0169(9)

FILE NAME: z12ci50gde+1.dgn
PROJECT LEADER: J. OLUND
DESIGNED BY: T. POULIN
GIRDER DETAILS I

PLOT DATE: 8/31/2016
DRAWN BY: S. MORGAN
CHECKED BY: J. OLUND
SHEET 45 OF 137